

COUNTERTOP LAVATORY K-2356

ADA

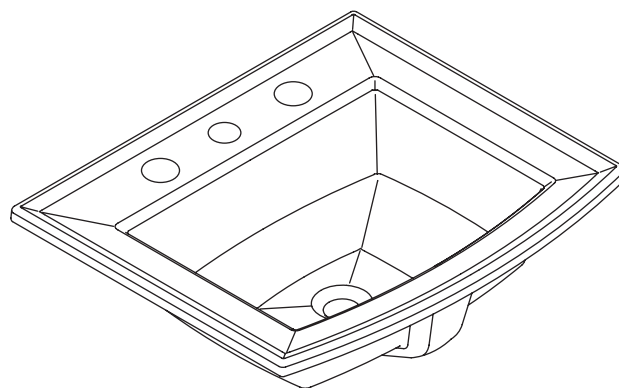
Features

- Vitreous china
- Self-rimming
- With overflow
- 8" (20.3 cm) centers (-8), 4" (10.2 cm) centers (-4), or single-hole (-1)
- 22-5/8" (57.5 cm) x 19-7/16" (49.4 cm) x 7-7/8" (20 cm)

Codes/Standards Applicable

Specified model meets or exceeds the following:

- ASME A112.19.2
- CSA B45
- IAPMO/UPC
- ADA
- ICC/ANSI A117.1



Colors/Finishes

- 0: White
- Other: Refer to Price Book for additional colors/finishes

Accessories:

- CP: Polished Chrome

Specified Model

Model	Description	Colors/Finishes	
K-2356-8	8" (20.3 cm) centers lavatory (shown)	<input type="checkbox"/> 0	<input type="checkbox"/> Other _____
K-2356-4	4" (10.2 cm) centers lavatory	<input type="checkbox"/> 0	<input type="checkbox"/> Other _____
K-2356-1	Single-hole lavatory	<input type="checkbox"/> 0	<input type="checkbox"/> Other _____
Recommended Accessory			
K-8998	Adjustable P-trap		<input type="checkbox"/> CP

Product Specification

The self-rimming lavatory shall be made of vitreous china. Lavatory shall be 22-5/8" (57.5 cm) in length, 19-7/16" (49.4 cm) in width, and 7-7/8" (20 cm) in depth. Lavatory shall have 8" (20.3 cm) centers (-8), 4" (10.2 cm) centers (-4), or single-hole (-1). Lavatory shall be with overflow. Lavatory shall be Kohler Model K-2356-_____-_____.

ARCHER™

Technical Information

Fixture*:	
Basin area	16-7/8" (42.9 cm) x 12-9/16" (31.9 cm)
Water depth	4" (10.2 cm)
Drain hole	1-3/4" (4.4 cm) D.
* Approximate measurements for comparison only.	

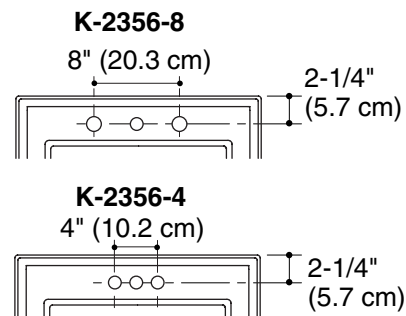
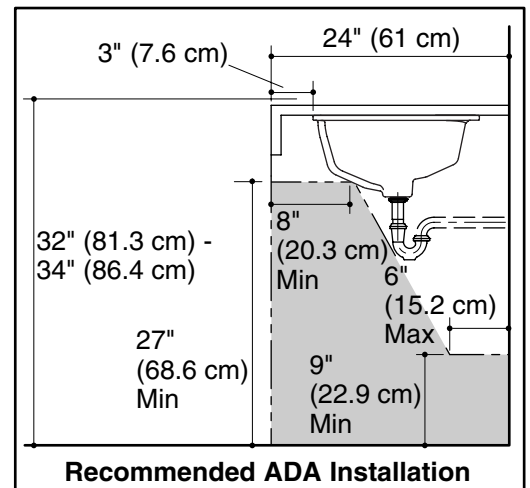
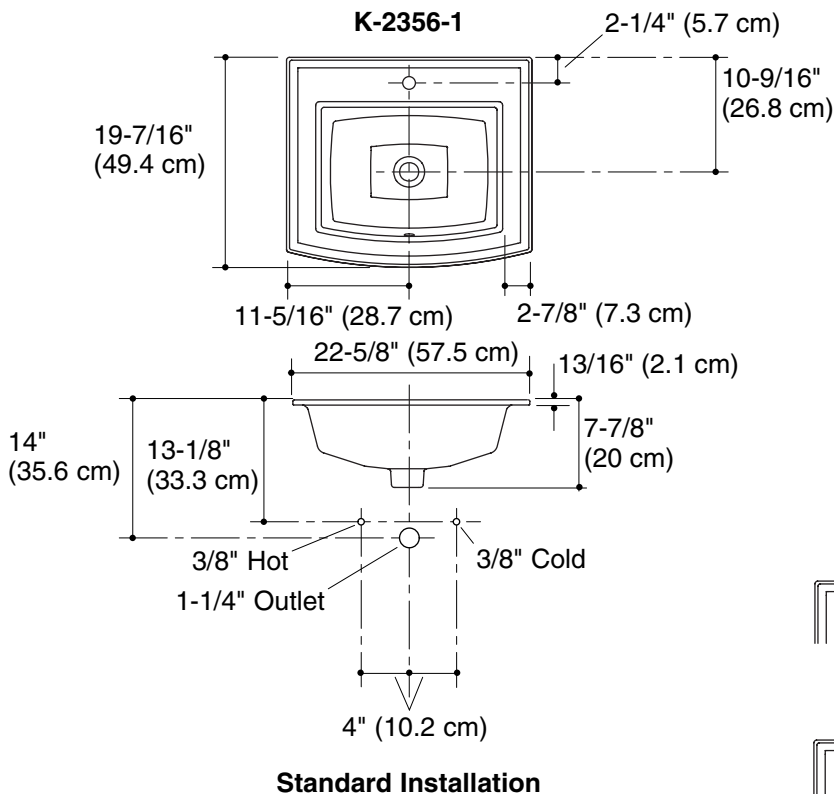
Included components:	
Cut-out template	1051936-7

Holes	K-2356-8	K-2356-4	K-2356-1
Spout	1-3/8" (3.5 cm) D.	1-1/4" (3.2 cm) D.	1-3/8" (3.5 cm) D.
Faucet	1-3/8" (3.5 cm) D.	1-1/4" (3.2 cm) D.	

Installation Notes

Install this product according to the installation guide.

NOTICE: Countertop manufacturer or cutter **must** use the cut-out template provided with the product, or a current one provided by Kohler Co. (call 1-800-4-KOHLER). Kohler Co. is not responsible for cutout errors when the incorrect cut-out template is used.



Product Diagram