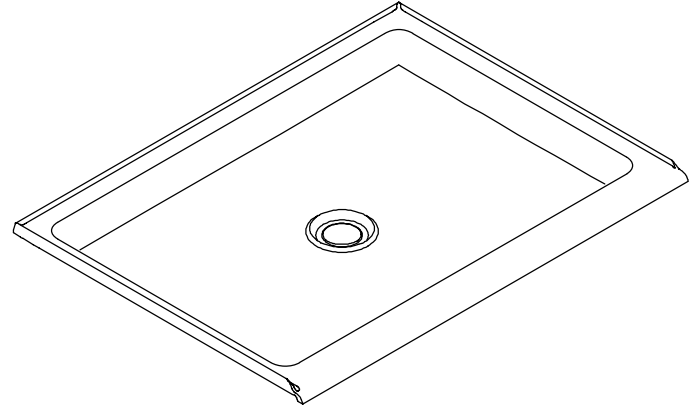


ENAMELED CAST IRON RECEPTOR

K-9025, K-9026

FEATURES

- 48" (121.9cm) x 36" (91.4cm) x 4" (10.2cm)
- Cast iron with Safeguard® finish
- Center drain
- Drop-in or tile-in installation



CODES/STANDARDS APPLICABLE

Specified model meets or exceeds the following:

- ASME/ANSI A112.19.1M
- IAPMO/UPC
- Canadian Standards Association (CSA)

COLORS/FINISHES

- 0 White
- Other Refer to Fixtures Price Book for additional colors

Accessories:

- CP Polished Chrome
- PB Polished Brass
- Other Refer to Fixtures Price Book for additional finishes

SPECIFIED MODEL:

Model	Description	Colors/Finishes	
K-9025	Receptor with center drain (honeycomb safeguard pattern)	<input type="checkbox"/> 0 White	<input type="checkbox"/> Other _____
K-9026	Receptor with center drain (rectangular safeguard pattern)	<input type="checkbox"/> 0 White	<input type="checkbox"/> Other _____

Recommended Accessories			
K-9132	Drain	<input type="checkbox"/> CP	<input type="checkbox"/> PB <input type="checkbox"/> Other _____
Optional Accessories			
K-9027	Teak shower grate	<input type="checkbox"/> NA	

PRODUCT SPECIFICATION:

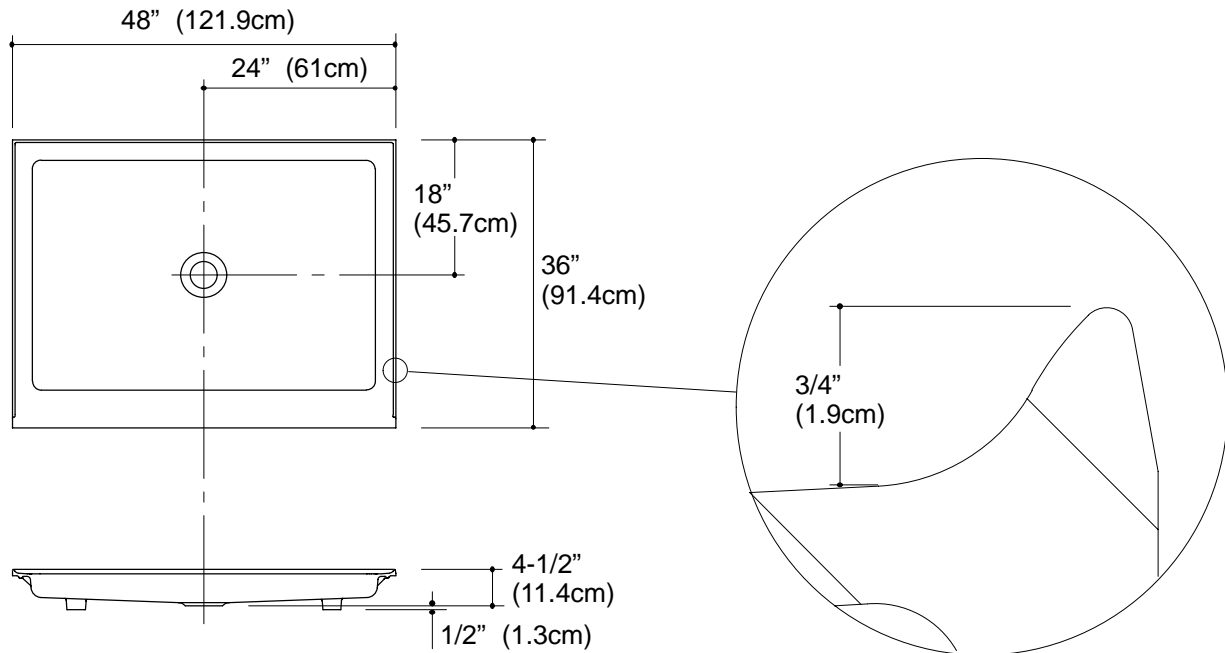
The receptor shall be 48" (121.9cm) in length and 36" (91.4cm) in width and 4" (10.2cm) in height. Receptor shall be made of cast iron with Safeguard® finish. Receptor shall have center drain outlet. Receptor shall be Kohler Model K-_____ - _____.

PRODUCT INFORMATION

Fixture*:	
Weight	175 lbs. (79.4kg)
Configuration	1-piece
Drain Outlet	3-3/8" D. (8.6cm)
*Approximate measurements for comparison only.	

INSTALLATION NOTES

Refer to installation instructions included with fixture before beginning installation.



364

PRODUCT DIAGRAM