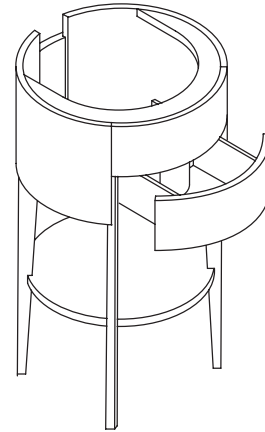


FEATURES

- 20-5/8" (52.4cm) in diameter x 34" (86.4cm)
- Hard select maple and veneers
- Includes a drawer for storage
- Designed for Camber™ lavatory



CODES/STANDARDS APPLICABLE

Specified model meets or exceeds the following:

- None applicable

COLORS/FINISHES

- F2 Black Forest
- F3 Natural Maple

SPECIFIED MODEL:

Model	Description	Table Colors/Finishes	
K-3002	Table	<input type="checkbox"/> F2	<input type="checkbox"/> F3

Required Lavatory:

Model	Description	Colors/Finishes	
K-2282-10	10" (25.4cm) centers, Camber	<input type="checkbox"/> 0 White	<input type="checkbox"/> Other_____
K-2282-1	Single-hole, Camber	<input type="checkbox"/> 0 White	<input type="checkbox"/> Other_____
K-2282	No-hole, Camber	<input type="checkbox"/> 0 White	<input type="checkbox"/> Other_____

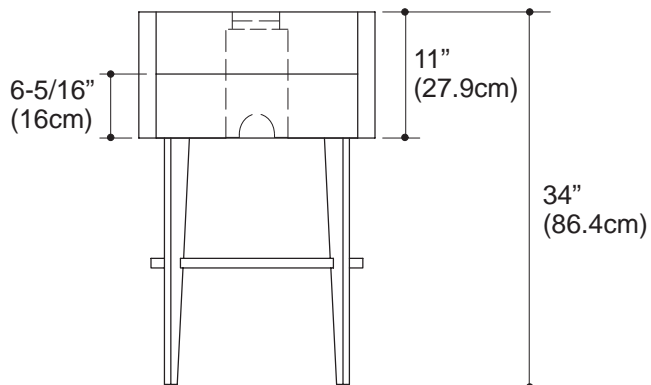
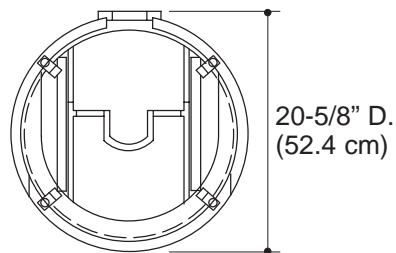
PRODUCT SPECIFICATION:

The table shall be 20-5/8" (52.4cm) in diameter and 34" (86.4cm) in height. Table shall be made of hard select maple and veneers. Table shall include a drawer for storage. Table shall be made for Camber™ lavatory. Table shall be Kohler Model K-3002-_____.

CAMBER™

PRODUCT INFORMATION

Included Components:	
Adhesive sealant	81489



1.25>316

PRODUCT DIAGRAM