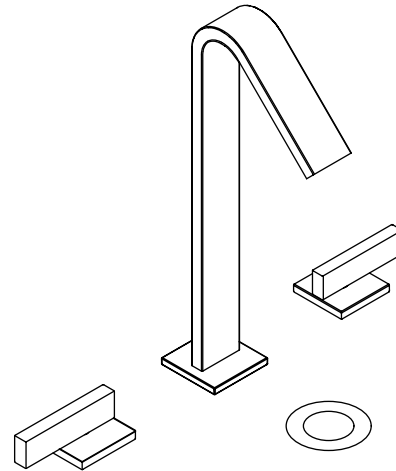


Features

- Brass construction
- Brass valve bodies
- Quarter-turn washerless ceramic disc valves
- Flexible connections for easy installation
- Lever handles are ADA compliant
- For 8" (20.3 cm) or 16" (40.6 cm) centers
- Stationary spout
- 5-1/4" (13.3 cm) spout reach
- Touch-activated drain with tailpiece and overflow
- 2.2 gallons (8.3 L) per minute maximum flow rate

**WIDESPREAD LAVATORY FAUCET
K-14662-4**

ADA



Codes/Standards Applicable

Specified model meets or exceeds the following at date of manufacture:

- ADA
- ASME A112.18.1/CSA B125.1
- ICC/ANSI A117.1
- Energy Policy Act of 1992
- All applicable US Federal and State material regulations
- NSF 61

Colors/Finishes

- CP: Polished Chrome
- Other: Refer to Price Book for additional colors/finishes

Specified Model

| Model | Description | Colors/Finishes | |
|-----------|----------------------------|-----------------------------|-------------------------------------|
| K-14662-4 | Widespread lavatory faucet | <input type="checkbox"/> CP | <input type="checkbox"/> Other_____ |

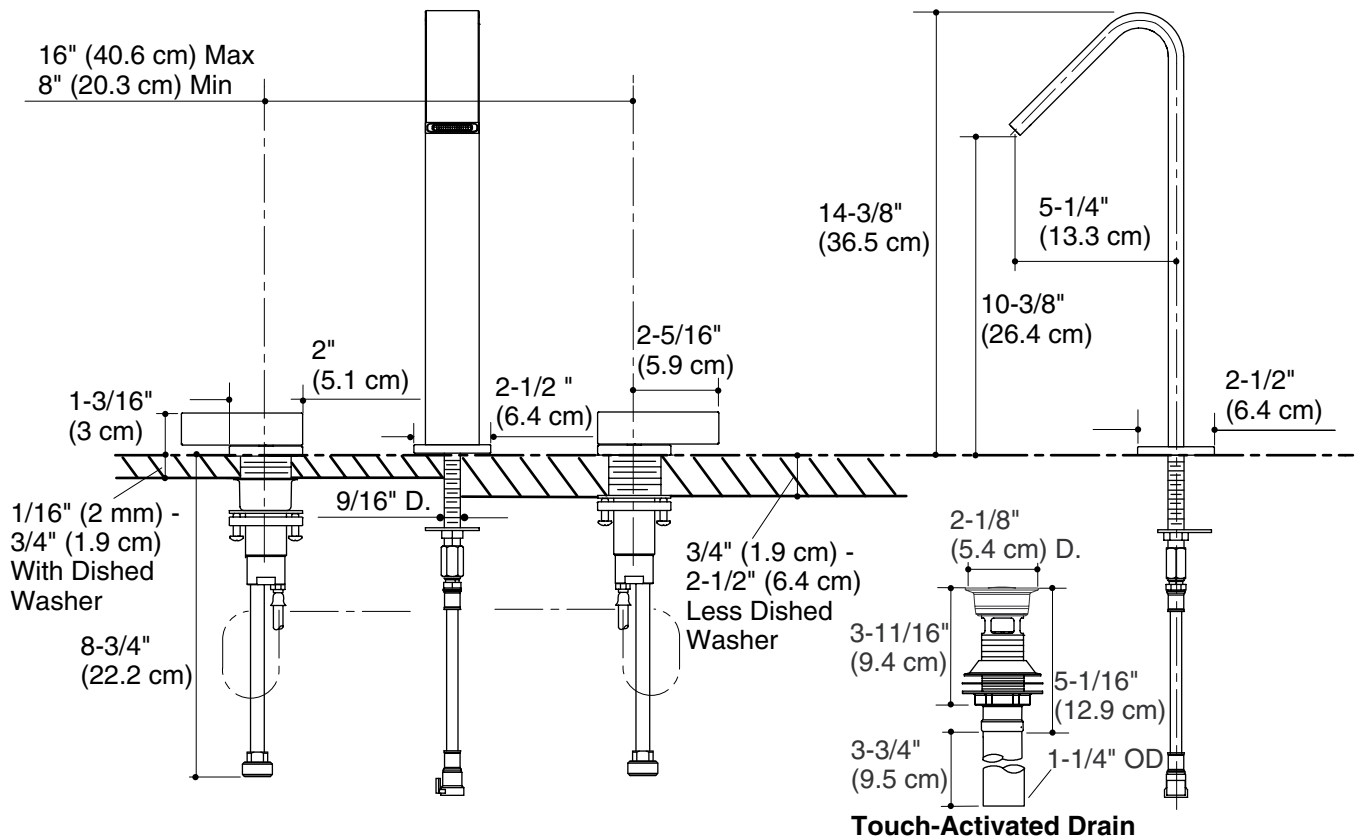
Product Specification

The two-handle widespread lavatory faucet shall be made of brass construction with brass valve bodies. Product shall have a maximum flow rate of 2.2 gallons (8.3 L) per minute. Product shall feature quarter-turn washerless ceramic disc valves, a 5-1/4" (13.3 cm) spout reach, and a stationary spout. Product shall be for 8" (20.3 cm) or 16" (40.6 cm) centers. Product shall feature ADA compliant lever handles. Product shall have flexible connections for easy installation, a touch-activated drain with tailpiece and overflow. Faucet shall be Kohler Model K-14662-4-_____.

LOURE™

Installation Notes

Install this product according to the installation guide.



Product Diagram