

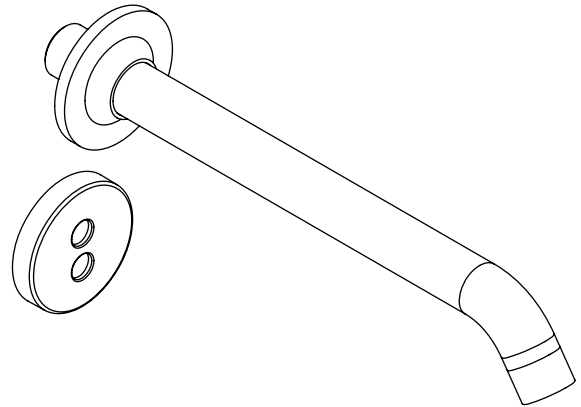
#### Features

- Brass construction
- Touchless™ wall-mounted faucet
- 0.5 gallons (1.9 L) per minute flow rate
- Insight adaptive infrared technology

#### Codes/Standards Applicable

Specified model meets or exceeds the following:

- ADA
- ASME A112.18.1/CSA B125.1
- Energy Policy Act of 1992
- CE
- ICC/ANSI A117.1



#### Colors/Finishes

- CP: Polished Chrome
- VS: Stainless Steel

#### Accessories

- NA: None applicable

#### Specified Model

Model	Description	Colors/Finishes	
K-T11837	Faucet trim	<input type="checkbox"/> CP	<input type="checkbox"/> VS
<b>Required Accessories</b>			
K-11830-NA	Wall-mount valve	<input type="checkbox"/> NA	
<b>Optional Accessories</b>			
K-13601	Thermostatic mixing valve	<input type="checkbox"/> NA	

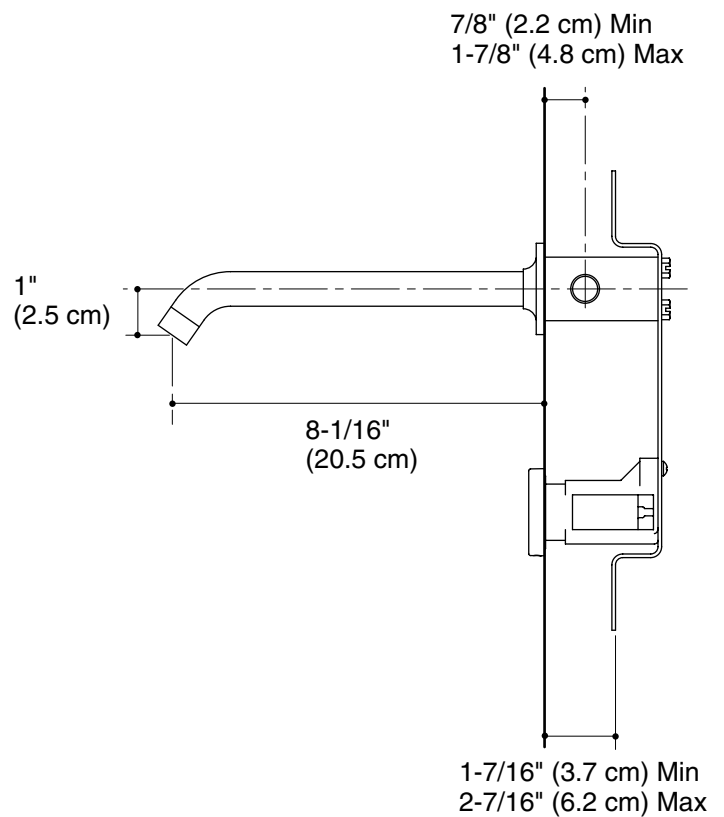
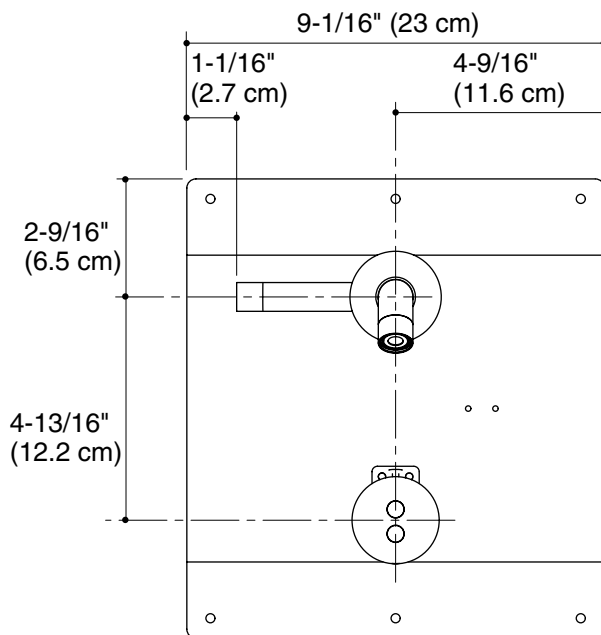
#### Product Specification

The Touchless™ wall-mounted faucet trim shall be made of brass construction. Faucet trim shall have a 0.5 gallons (1.9 L) per minute flow rate. The valve shall feature insight adaptive infrared technology. Faucet trim shall be Kohler Model K-T11837-\_\_\_\_\_.

# PURIST®

## Installation Notes

Install this product according to the installation guide.



## Product Diagram