

Features

- Metal construction
- Quarter-turn washerless ceramic disc valves
- For 4" (102 mm) centers
- Lever handle
- Pop-up drain with tailpiece
- 4-1/2" (114 mm) spout reach
- 1.5 gpm (5.7 lpm) maximum flow rate
- Integrated supply hoses with 3/8" compression connection

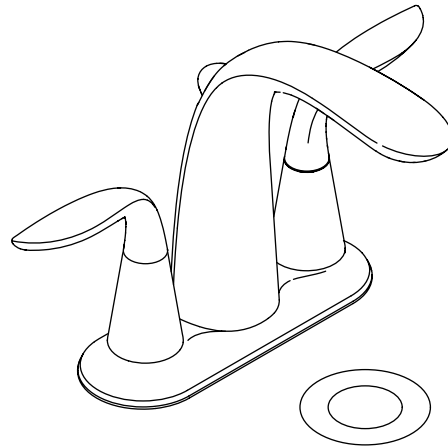
**CENTERSET LAVATORY FAUCET
K-5316**



Codes/Standards Applicable

Specified model meets or exceeds the following at date of manufacture:

- ADA
- ICC/ANSI A117.1
- ASME A112.18.1/CSA B125.1
- NSF 61
- EPA WaterSense®
- All applicable US Federal and State material regulations



Colors/Finishes

- CP: Polished Chrome
- Other: Refer to Price Book for additional colors/finishes

Specified Model:

Model	Description	Color/Finish	
K-5316-4	Centerset lavatory faucet	<input type="checkbox"/> CP	<input type="checkbox"/> Other _____

PRODUCT SPECIFICATION

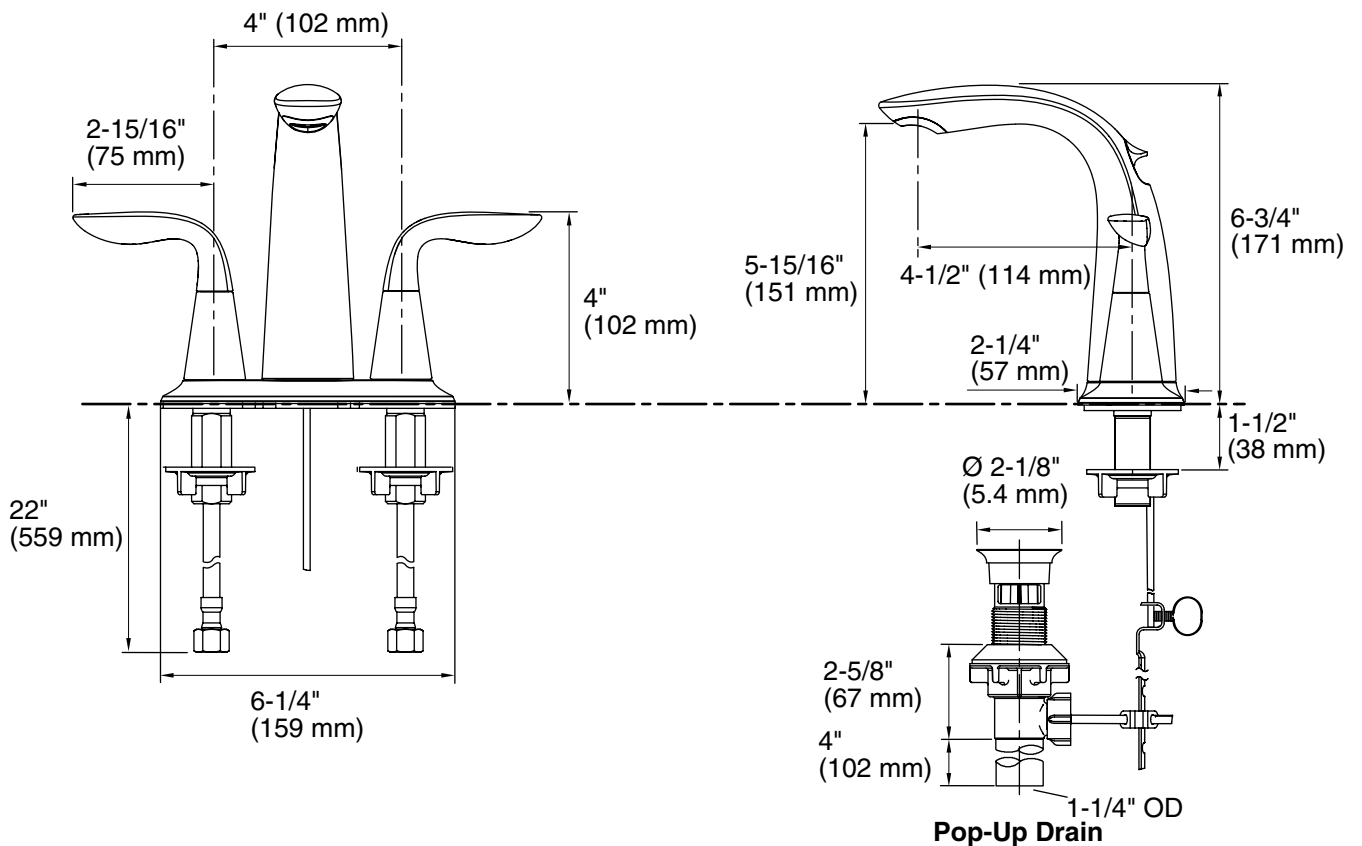
The centerset lavatory faucet shall be made of metal construction. Product shall have integrated supply hoses with 3/8" compression connection. Product shall have a 1.5 gpm (5.7 lpm) maximum flow rate. Product shall feature quarter-turn washerless ceramic disc valves. Product shall be for 4" (102 mm) centers. Product shall feature a 4-1/2" (114 mm) spout reach, a pop-up drain with tailpiece, and lever handles. Faucet shall be Kohler Model K-5316-4-_____.

REFINIA™

Installation Notes

Install this faucet following the installation instructions provided.

ADA compliant when installed to the specific requirements of these regulations.



Product Diagram