

CORALAIS®

**LAVATORY FAUCET
K-15243**

Features



- Metal construction
- Available with acrylic or lever handles
- Grid drain with tailpiece
- For 4" (10.2 cm) centers
- 4-1/4" (10.8 cm) spout
- 2.2 gallons (8.3 L) per minute
- Lower flow aerator options are available (refer to the Kohler Price Book)
- Complements the Coralais Suite

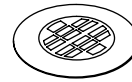
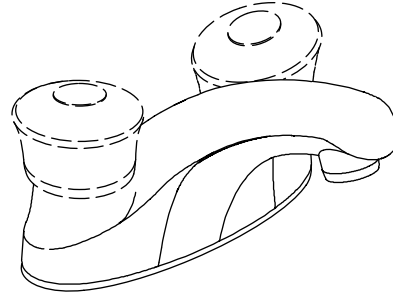
Codes/Standards Applicable

Specified model meets or exceeds the following:

- ADA
- ASME A112.18.1
- CSA B125
- IAPMO/UPC
- NSF 61
- Energy Policy Act of 1992 (EPACT)

Specified Model:

Model	Description				
K-15243-4	Lavatory faucet - lever handles	<input type="checkbox"/> CP	<input type="checkbox"/> Other ____		
K-15243-7	Lavatory faucet - acrylic handles			<input type="checkbox"/> CP	<input type="checkbox"/> Other ____



ADA

Colors/Finishes

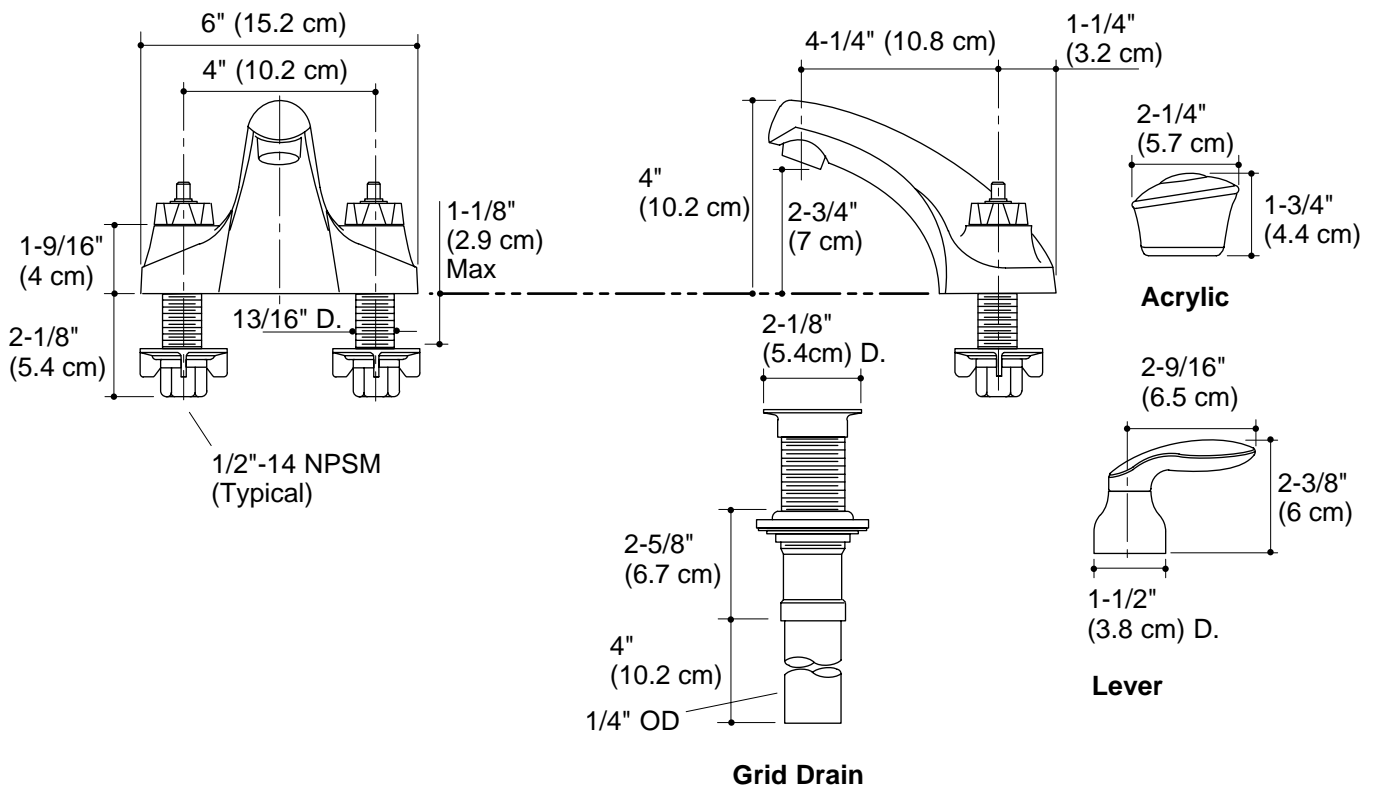
- CP: Polished Chrome
- Other: Refer to Price Book for additional colors/finishes

PRODUCT SPECIFICATION
Two-handle centerset lavatory faucet for 4" (10.2 cm) centers shall be of metal construction. Product shall feature a 4-1/4" (10.8 cm) spout and a 2.2 gallon (8.3 liter) per minute flow rate with lower flow aerator options available (refer to the Kohler Price Book). Products shall include a grid drain with tailpiece. Product shall be available with acrylic or lever handles. Product shall complement the Coralais Suite. Faucet shall be Kohler Model K-15243-_____-_____.

CORALAIS®

Installation Notes

Install this product according to the installation guide.



Product Diagram