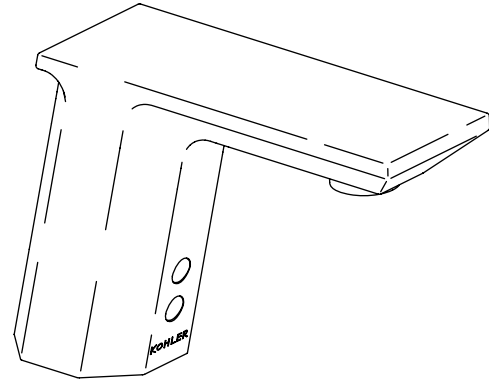


Features

- Brass construction
- Single-hole mounting
- Above-counter valve for easy installation and maintenance
- Vandal-resistant aerator
- 24" (61 cm) flexible supply hoses for easy installation
- 6-3/4" (17.1 cm) spout reach
- Stationary spout
- Available with or without mixer
- Includes 30-year Hybrid Energy Cell
- Less drain
- .5 gallons (1.9 L) per minute flow rate

ELECTRONIC FAUCET K-7516 ALSO K-7517

ADA CSA B651 OBC



Codes/Standards Applicable

Specified model meets or exceeds the following at date of manufacture:

- ADA
- ICC/ANSI A117.1
- CSA B651
- OBC
- ASME A112.18.1/CSA B125.1
- Energy Policy Act of 1992

Colors/Finishes

- CP: Polished Chrome
- VS: Stainless Steel

Accessories

- CP: Polished Chrome
- VS: Stainless Steel
- NA: None applicable
- Other: Refer to Price Book for additional colors/finishes

Specified Model

Model	Description	Colors/Finishes	
K-7516	Electronic faucet – without mixer	<input type="checkbox"/> CP	<input type="checkbox"/> VS
K-7517	Electronic faucet – with mixer	<input type="checkbox"/> CP	<input type="checkbox"/> VS

Optional Accessories					
K-7129-A	Grid drain with overflow	<input type="checkbox"/> CP			<input type="checkbox"/> Other _____
K-7129	Grid drain without overflow	<input type="checkbox"/> CP			<input type="checkbox"/> Other _____
K-13478-B	4" (10.2 cm) escutcheon plate – square	<input type="checkbox"/> CP	<input type="checkbox"/> VS		
K-13479-B	8" (20.3 cm) escutcheon plate – square	<input type="checkbox"/> CP	<input type="checkbox"/> VS		
K-13601	Thermostatic mixing valve			<input type="checkbox"/> NA	

Product Specification

The electronic faucet shall be made of brass construction. Product shall have 0.5 gallons (1.9 L) per minute flow rate. Product shall feature a 6-3/4" (17.1 cm) spout reach, stationary spout, and 24" (61 cm) flexible supply hoses for easy installation. Product shall feature an above-counter valve for easy installation and maintenance. Product shall include a 30-year Hybrid Energy Cell. Product shall be for single-hole mounting. Product shall be available with or without mixer. Product shall be less drain. Faucet shall be Kohler Model K-____-____.

Installation Notes

Install this product according to the installation guide.

A 1-1/4" (3.2 cm) minimum to 1-1/2" (3.8 cm) maximum diameter mounting hole is required.

The minimum distance between the back of the faucet spout and the wall must be 1-3/4" (4.4 cm). This will allow proper clearance for setscrew access.

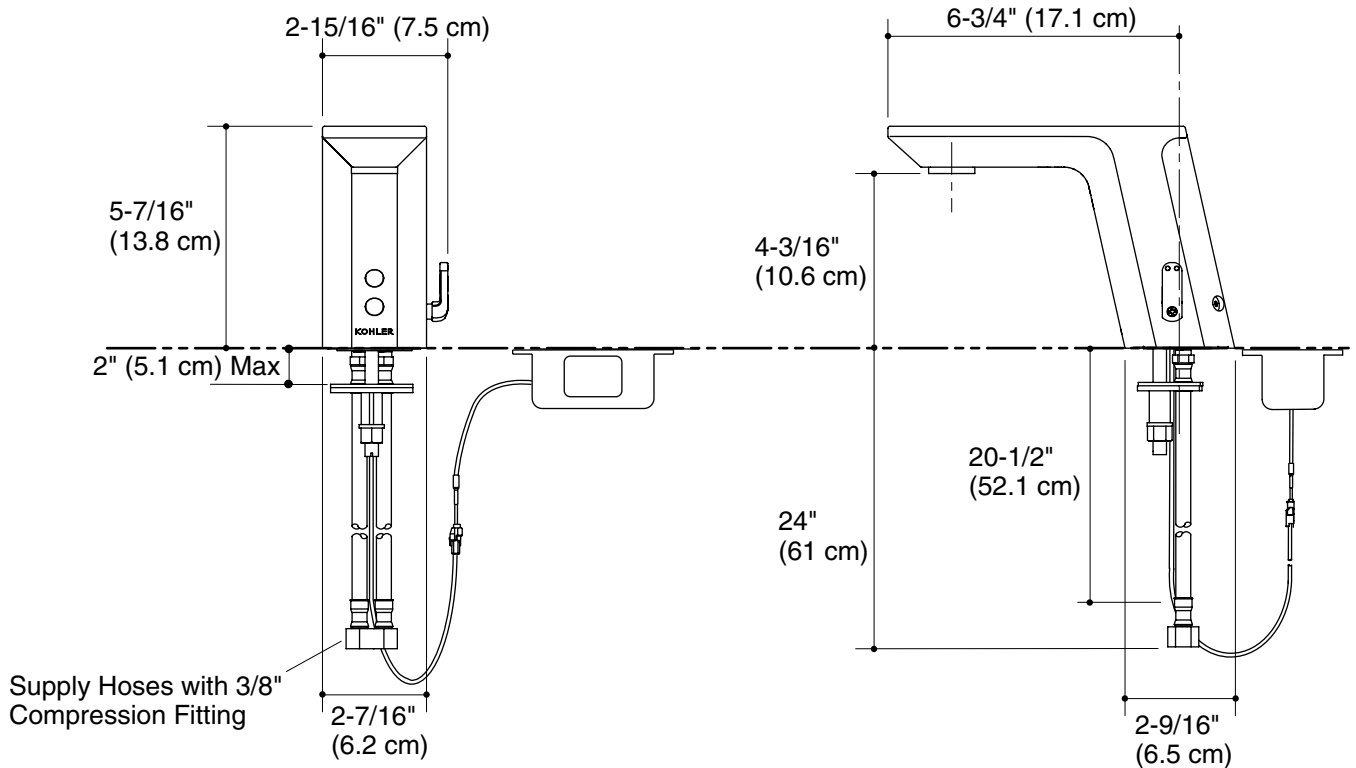
The maximum distance between the lavatory basin edge to the base of the faucet spout must be 1-3/4" (4.4 cm).

The maximum height of the lip basin should be 3/4" (1.9 cm).

Product includes 0.5 gpm (1.9 lpm) rosebud spray aerator. Other aerator styles are available. Please contact your distributor or see Kohler.com.

This product requires a 30-year Hybrid Energy Cell (included).

ADA, CSA B651, OBC compliant when installed to the specific requirements of these regulations.



Product Diagram