

Features

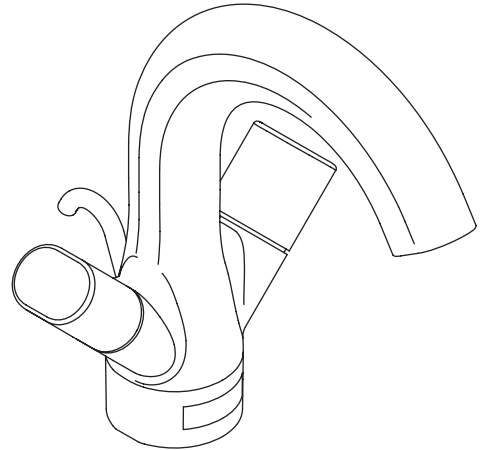
- Brass construction
- Brass valve bodies
- Quarter-turn washerless ceramic disc valves
- Pop-up drain with lift rod and tailpiece
- Cast brass waterway
- 2.2 gallons (8.3 L) per minute maximum flow rate
- Oval handles
- 3-3/4" (9.5 cm) spout

Codes/Standards Applicable

Specified model meets or exceeds the following:

- ASME A112.18.1/CSA B125.1
- IAPMO/cUPC
- NSF 61

**MONOBLOCK LAVATORY FAUCET
K-10085**



Colors/Finishes

- CP: Polished Chrome
- Other: Refer to Price Book for additional colors/finishes

Specified Model:

| Model | Description | Colors/Finishes | |
|-----------|---------------------------|-----------------------------|------------------------------------|
| | | <input type="checkbox"/> CP | <input type="checkbox"/> Other____ |
| K-10085-9 | Monoblock lavatory faucet | | |

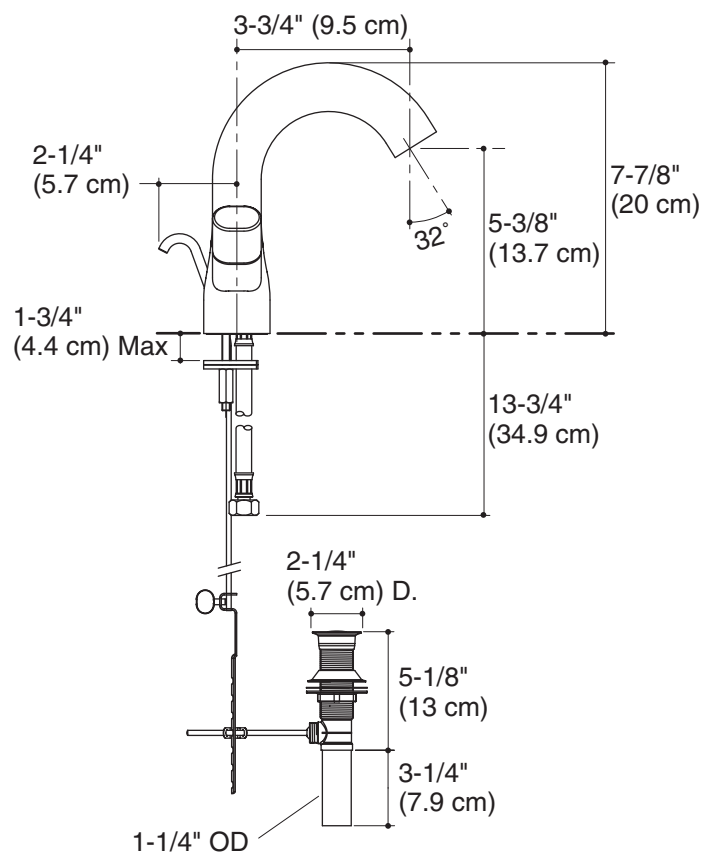
Product Specification

The two-handle lavatory faucet shall be made of brass construction. Faucet shall feature brass valve bodies and cast brass waterway. Faucet shall feature quarter-turn washerless ceramic disc valves, assuring positive handle stop positioning. Faucet shall be rated at 2.2 gallons (8.3 L) per minute. Faucet shall include a 3-3/4" (9.5 cm) spout, a pop-up drain with lift rod and tailpiece, and oval handles. Faucet shall be Kohler Model K-10085-9-_____.

OBLO™

Installation Notes

Install this product according to the installation guide.



Product Diagram