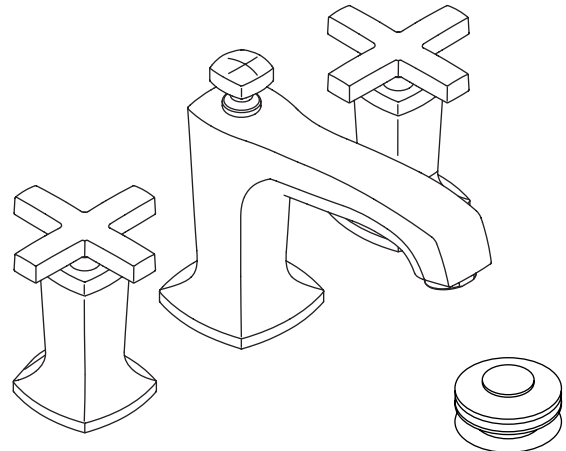


**WIDESPREAD LAVATORY FAUCET
K-16232**

Features

- Metal construction
- Brass valve bodies
- Reversible quarter-turn washerless ceramic disc valves
- Pop-up drain with lift rod and tailpiece
- Flexible connections for easy installation
- Available with cross or lever handles
- For 8" (20.3 cm) or 16" (40.6 cm) centers
- 5-3/8" (13.7 cm) spout reach
- Stationary spout
- 1.5 gallons (5.7 liters) per minute maximum flow rate



Codes/Standards Applicable

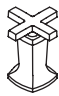
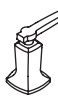
Specified model meets or exceeds the following at date of manufacture:

- ADA
- ASME A112.18.1/CSA B125.1
- NSF 61
- ICC/ANSI A117.1
- Energy Policy Act of 1992
- EPA WaterSense®
- All applicable US Federal and State material regulations

Colors/Finishes

- CP: Polished Chrome
- Other: Refer to Price Book for additional colors/finishes

Specified Model

Model	Description	Cross		Lever	
		 ADA	<input type="checkbox"/> CP <input type="checkbox"/> Other ____	 ADA	<input type="checkbox"/> CP <input type="checkbox"/> Other ____
K-16232-3	Widespread lavatory faucet with cross handles	<input type="checkbox"/> CP	<input type="checkbox"/> Other ____		
K-16232-4	Widespread lavatory faucet with lever handles			<input type="checkbox"/> CP	<input type="checkbox"/> Other ____

Optional Accessories

Additional flow options are available (refer to the Kohler Price Book)

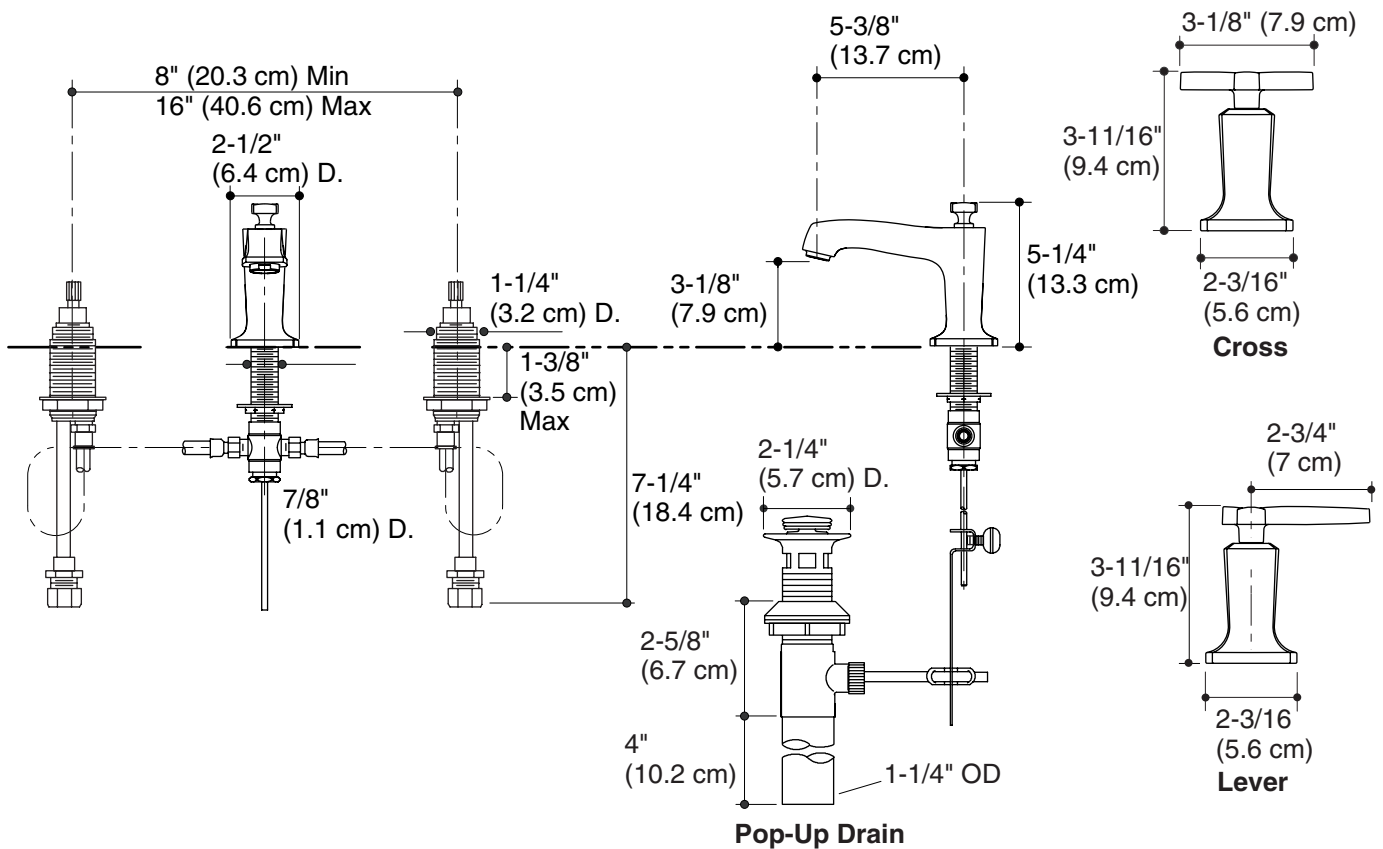
Product Specification

The two-handle widespread lavatory faucet shall be made of metal construction with brass valve bodies. Product shall have a maximum flow rate of 1.5 gallons (5.7 liters) per minute. Product shall feature reversible quarter-turn washerless ceramic disc valves. Product shall be for 8" (20.3 cm) or 16" (40.6 cm) centers. Product shall include flexible connections for easy installation and a pop-up drain with lift rod and tailpiece. Product shall feature a 5-3/8" (13.7 cm) spout reach and stationary spout. Product shall be available with cross or lever handles. Faucet shall be Kohler Model K-16232-____-____.

MARGAUX™

Installation Notes

Install this product according to the installation guide.



Product Diagram