

### Features

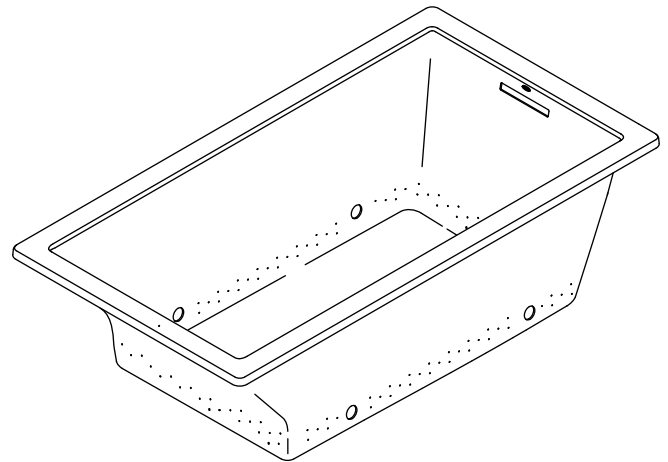
- Acrylic
- Blower motor with 300 W heater and electronic back-lit user control
- 122 BubbleMassage™ airjets
- Zones of Control™ concentrates massage at back, midsection, or feet
- Available with chromatherapy [-GCR]
- 60" (1524 mm) x 32" (813 mm) x 21" (533 mm)

### Codes/Standards Applicable

Specified model meets or exceeds the following:

- CSA B45.5/IAPMO Z124
- IAPMO IGC 171
- ASME A112.19.7
- UL 1795
- ASTM E162
- ASTM E662

### 5' BUBBLEMASSAGE™ BATH K-1168-G ALSO K-1168-GCR



### Colors/Finishes

- 0: White
- Other: Refer to Price Book for additional colors/finishes

### Accessories

- 0: White
- CP: Polished Chrome
- Other: Refer to Price Book for additional colors/finishes
- NA: None applicable

### Specified Model

Model	Description	Colors/Finishes	
K-1168-G	5' BubbleMassage bath	<input type="checkbox"/> 0	<input type="checkbox"/> Other_____
K-1168-GCR	5' BubbleMassage bath with chromatherapy	<input type="checkbox"/> 0	<input type="checkbox"/> Other_____

#### Required Accessories

K-7271	Clearflo slotted overflow brass bath drain <b>OR</b>	<input type="checkbox"/> CP	<input type="checkbox"/> Other_____
K-7272	Clearflo slotted overflow bath drain – PVC pipe	<input type="checkbox"/> CP	<input type="checkbox"/> Other_____

#### Optional Accessories

K-590	Under-mount kit	N/A	
K-1491	Pillow	<input type="checkbox"/> 0	<input type="checkbox"/> Other_____
K-1601	Footstop	<input type="checkbox"/> 0	<input type="checkbox"/> Other_____

### Product Specification

The acrylic BubbleMassage™ bath shall be 60" (1524 mm) in length, 32" (813 mm) in width, and 21" (533 mm) in height. Bath shall have a blower motor with 300 W heater and electronic back-lit user control. Bath shall feature Zones of Control and 122 BubbleMassage airjets. Bath shall be available with chromatherapy [-GCR]. Bath shall be Kohler Model K-1168-\_\_\_\_-\_\_\_\_

# UNDERScore®

## Optional Accessories (cont.)

K-1705	Remote control	N/A		
K-9498	3" (76 mm) whirlpool keypad trim		<input type="checkbox"/> CP	<input type="checkbox"/> Other_____

## Technical Information

Fixture*:				
Bathing well:				
Basin area, bottom	42" (1067 mm) x 23-1/2" (597 mm)			
Basin area, top	55-1/8" (1400 mm) x 27-1/8" (689 mm)			
Weight	100 lbs (45.4 kg)			
To overflow:				
Water depth	17-1/8" (435 mm)			
Capacity	81 gal (306.6 L)			
* Approximate measurements for comparison only.				
Drop-in cut-out	59-1/2" (1511 mm) x 31-1/2" (800 mm)			
Blower motor/control:	Heater	V	Hz	A
	300 W	220-240	50/60	3

## Required Electrical Service

Dedicated circuit required, protected with Class A Ground-Fault Circuit-Interrupter (GFCI) or Residual Current Device (RCD):

Blower motor/control	220-240 V, 15 A, 50/60 Hz
----------------------	---------------------------

## Installation Notes

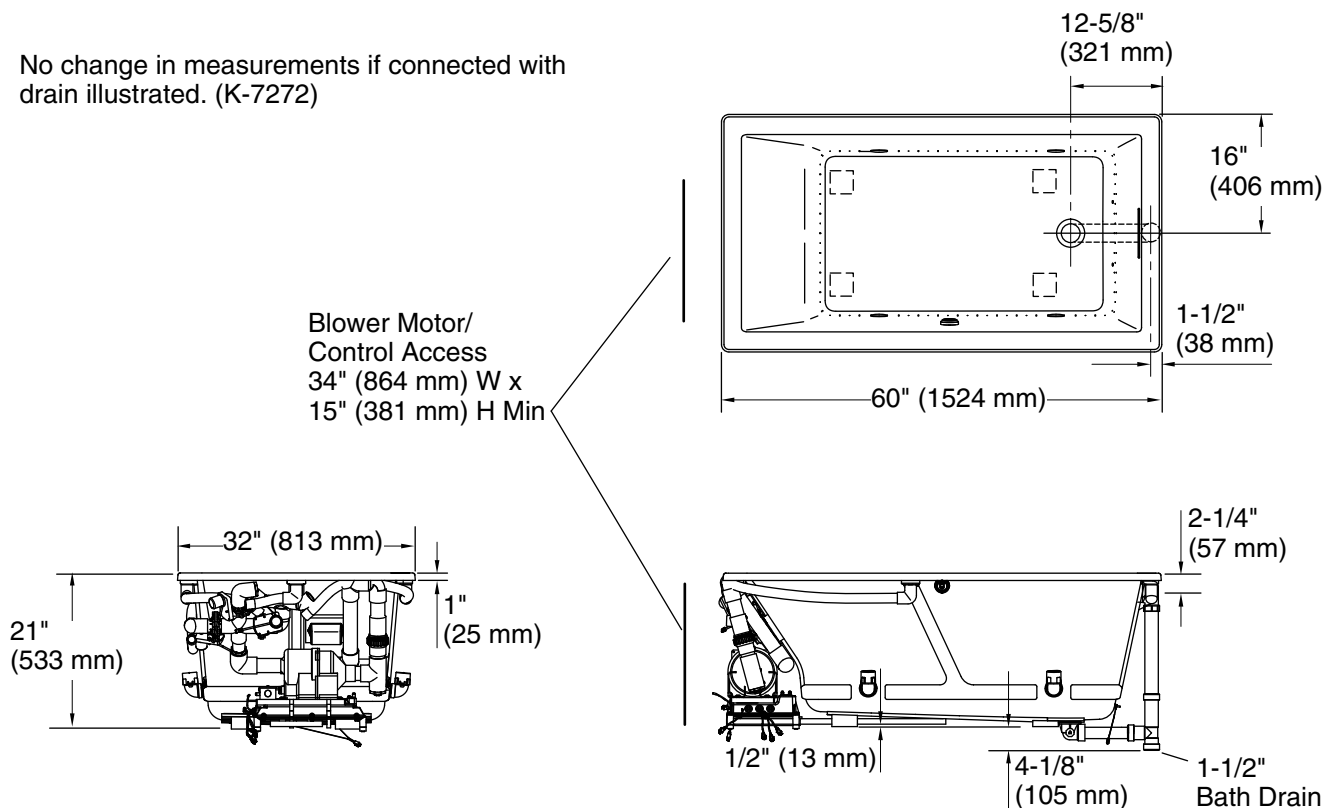
Install this product according to the installation guide.

Floor support under bath must provide for a minimum of 55 lbs/square foot (268 kg/square meter) loading.

Hot water supply should be 70% of capacity or greater. Installations will vary.

A blower motor/control access panel is required.

No change in measurements if connected with drain illustrated. (K-7272)



## Product Diagram