

### BUBBLEMASSAGE™ BATH K-1167-G ALSO K-1167-GCR

ADA

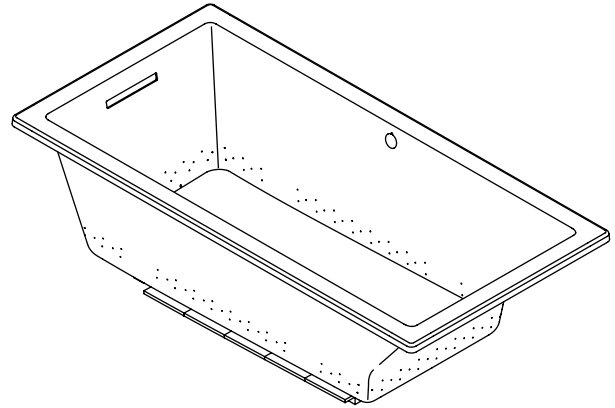
#### Features

- Acrylic
- Drop-in or undermount installation
- Blower motor with 300 W heater and electronic back-lit user control
- 122 BubbleMassage™ airjets
- With Zones of Control™ feature
- Available with chromatherapy [-GCR]
- 60" (152.4 cm) x 30" (76.2 cm) x 19" (48.3 cm)

#### Codes/Standards Applicable

Specified model meets or exceeds the following:

- ADA
- ICC/ANSI A117.1
- ASME A112.19.7M
- ANSI Z124.1.2
- CSA B45.0
- CSA B45.5
- ASTM E162
- ASTM E662
- UL 1795



#### Colors/Finishes

- 0: White
- Other: Refer to Price Book for additional colors/finishes

#### Specified Model

Model	Description	Colors/Finishes	
K-1167-G	BubbleMassage bath – without chromatherapy (shown)	<input type="checkbox"/> 0	<input type="checkbox"/> Other_____
K-1167-GCR	BubbleMassage bath – with chromatherapy	<input type="checkbox"/> 0	<input type="checkbox"/> Other_____

#### Required Accessories

K-7271	Clearflo slotted overflow brass bath drain <b>OR</b>	<input type="checkbox"/> CP	<input type="checkbox"/> PB	<input type="checkbox"/> Other_____
K-7272	Clearflo slotted overflow bath drain – PVC pipe	<input type="checkbox"/> CP	<input type="checkbox"/> PB	<input type="checkbox"/> Other_____

#### Optional Accessories

K-531	Undermount kit				<input type="checkbox"/> NA	
K-1491	Pillow	<input type="checkbox"/> 0				<input type="checkbox"/> Other_____
K-1601	Footstop	<input type="checkbox"/> 0				<input type="checkbox"/> Other_____
K-1703	Remote control				<input type="checkbox"/> NA	
K-9498	3" (7.6 cm) whirlpool keypad trim		<input type="checkbox"/> CP	<input type="checkbox"/> PB		<input type="checkbox"/> Other_____

#### Product Specification

The acrylic BubbleMassage bath shall be 60" (152.4 cm) in length, 30" (76.2 cm) in width, and 19" (48.3 cm) in height. Bath shall be for drop-in or undermount installation. Bath shall have a blower motor with 300 W heater, and electronic back-lit user control. Bath shall have 122 BubbleMassage airjets. Bath shall be with Zones of Control™ feature. Bath shall be available with chromatherapy [-GCR]. Bath shall be Kohler Model K-1167-G-\_\_\_\_ or K-1167-GCR-\_\_\_\_.

# UNDERScore®

## Technical Information

Fixture*:				
Bathing well:				
Basin area, bottom	42-3/8" (107.6 cm) x 20" (50.8 cm)			
Basin area, top	54-3/8" (138.1 cm) x 24-5/16" (61.8 cm)			
Weight	96 lbs (43.5 kg)			
To overflow:				
Water depth	15-1/16" (38.3 cm)			
Capacity	59.8 gal (226 L)			
* Approximate measurements for comparison only.				
Drop-in cut-out				
59-1/2" (151.1 cm) x 28-1/2" (72.4 cm)				
Blower motor/control:	Heater	V	Hz	A
	300 W	220-240	50/60	15

## Required Electrical Service

Dedicated circuit required, protected with Class A Ground-Fault Circuit-Interrupter (GFCI) or Residual Current Device (RCD):

Blower motor/control: 220-240 V, 15 A, 50/60 Hz

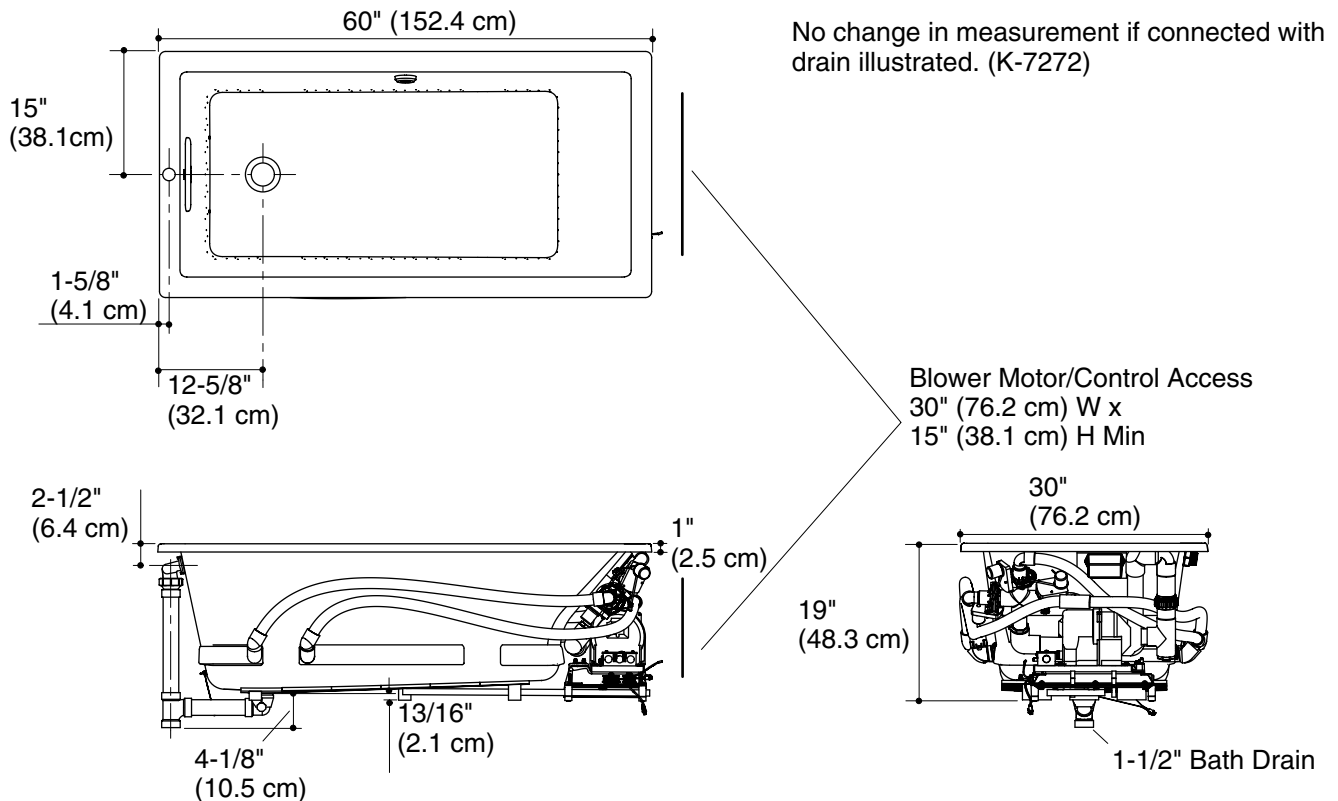
## Installation Notes

Install this product according to the installation guide.

Will comply with **ADA** when installed per Section 607 Bathtubs of the Act.

Floor support under bath must provide for a minimum of 50 lbs/square foot (242 kg/square meter) loading.

Hot water supply should be 70% of capacity or greater. Installations will vary.



## Product Diagram