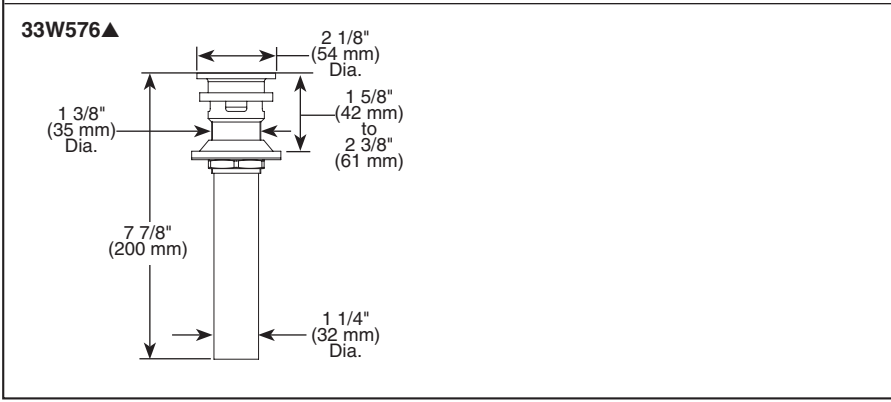
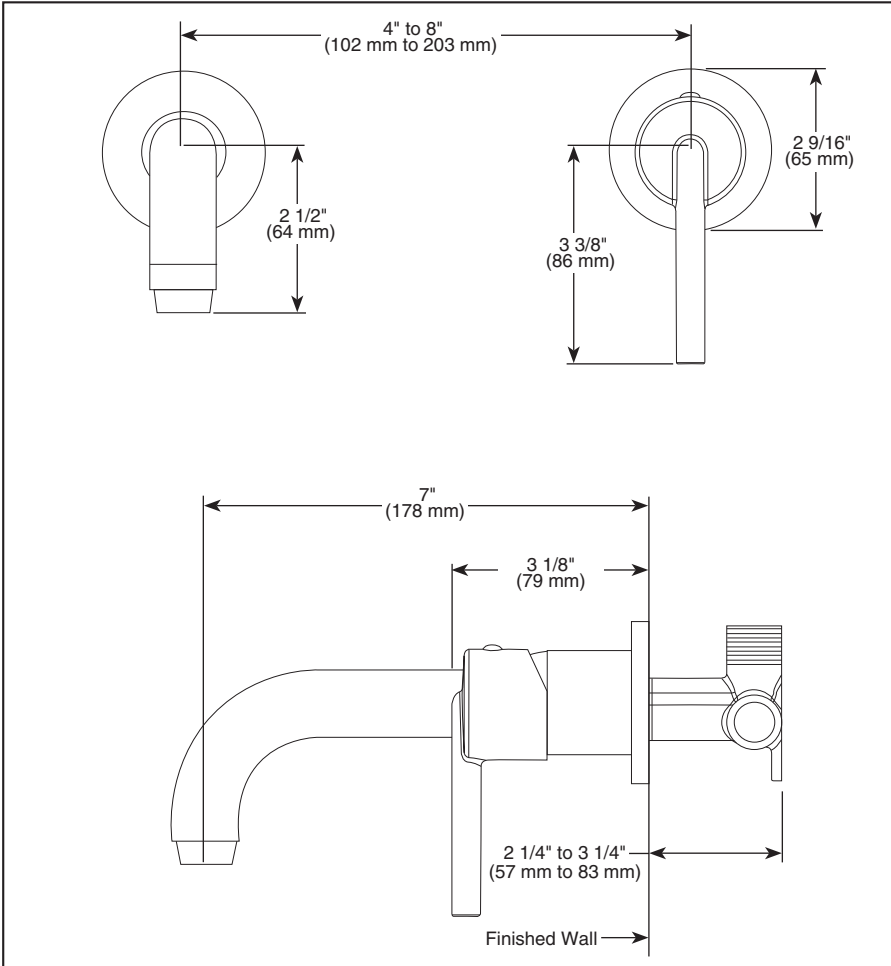


3559LF-WL▲



Submitted Model No.: _____

Specific Features: _____



▲ Designate proper finish suffix

Delta reserves the right (1) to make changes in specifications and materials, and (2) to change or discontinue models, both without notice or obligation. Dimensions are for reference only. See current full-line price book or www.specselect.com for finish options and product availability.

DSP-L-3559LF-WL Rev. B



LAVATORY FAUCETS

- Trinsic® Bath Collection
- Two Hole On Wall
- Lever Handle

STANDARD SPECIFICATIONS:

- Single handle lavatory faucet for wall mount installation.
- Solid brass fabricated body.
- Lever handle. Control mechanism is the ceramic disc cartridge.
- 7 1/2" (191 mm) long rigid spout.
- Control handle shall return to neutral position when valve is turned off.
- 1/2"-14 NPT threaded female inlets.
- Models have a maximum 1.5 gpm flowrate @ 60 PSI.
- Spring loaded pop-up included with drain plug.

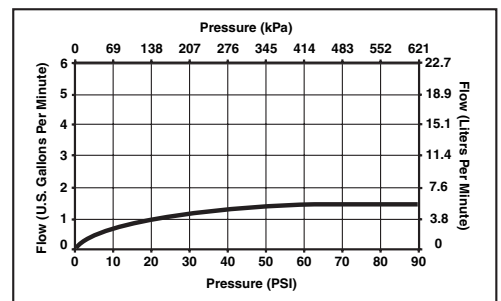
WARRANTY

- Lifetime limited warranty on parts (other than electronic parts and batteries) and finishes: or, for commercial users, for 5 years from date of purchase.
- 5 year limited warranty on electronic parts (other than batteries); or, for commercial users, for 1 year from the date of purchase. No warranty is provided on batteries.



COMPLIES WITH:

- ASME A112.18.1 / CSA B125.1
- ASME A112.18.2 / CSA B125.2
- ☒ Indicates compliance to ICC/ANSI A117.1
- Verified compliant with .25% weighted average Pb content regulations.
- EPA WaterSense®



55 E. 111th Street, Indianapolis, Indiana 46280
 350 South Edgeware Road, St. Thomas, ON N5P 4L1
 © 2012 Masco Corporation of Indiana