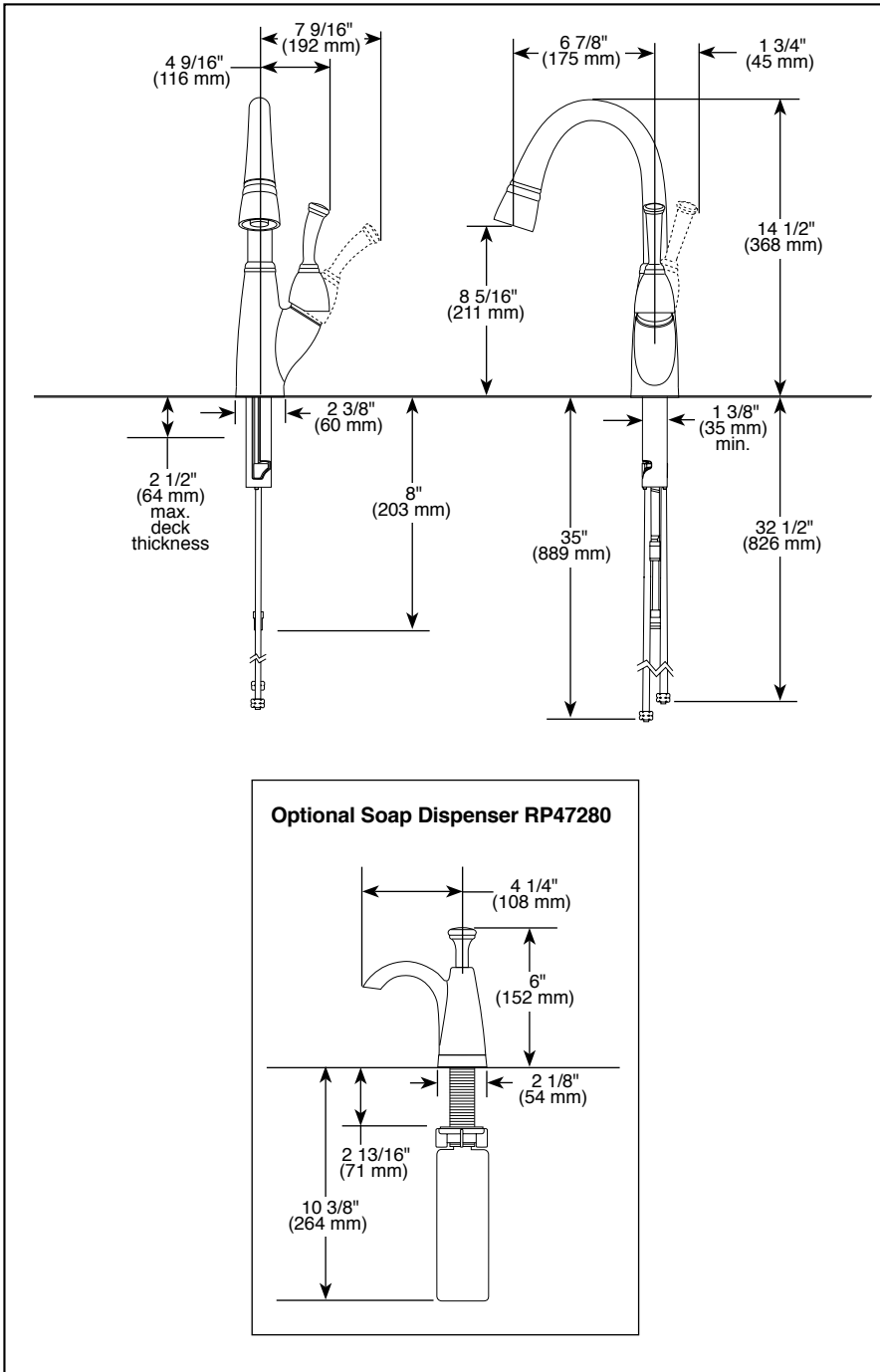


999-DST

999-DST with optional soap dispenser RP47280

Submitted Model No.: _____

Specific Features: _____



BAR / PREP SINK FAUCETS

- Allora® Collection
- Single Handle Deck Mount Pull-Down
- Single or 2 Hole Sink Applications
- EZ Anchor™ Top Down Mounting
- Optional Soap Dispenser
- DIAMOND™ Seal Technology
- Integrated Supply Tubes
- MagnaTite™ Docking System

STANDARD SPECIFICATIONS:

- EZ Anchor™ top down mounting.
- EZ Bar included to assist during installation.
- 14 1/2" (368 mm) high, 6 7/8" (175 mm) long, spout swings 360°.
- Lever handle. Control mechanism is the diamond embedded ceramic disc cartridge.
- Single function spray head.
- Quick connect hoses.
- Magnetic docking system secures sprayer to spout.
- Red/Blue graphics on handle button to indicate hot/cold temperature.
- Integral double check valves in sprayer assembly.
- Integral hose lead to aide installation.
- Hose travels inside mounting shank so it will not interfere with deck edges.
- 3/8" O.D. straight, staggered PEX supply tubes, 32 1/2" (826 mm) and 35" (889 mm).
- RP61607 clip available with flow rate of 1.5 gpm max. @ 60 PSI.

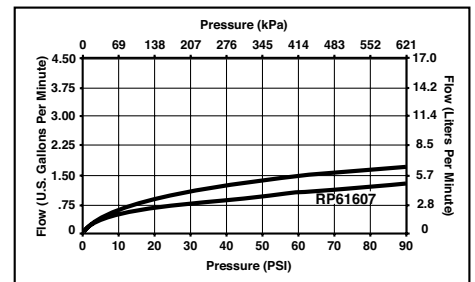
WARRANTY

- Lifetime Faucet and Finish Limited Warranty to the original consumer purchaser to be free from defects in material and workmanship.
- 5 Year Limited Warranty for usage in all industrial, commercial and business applications.



COMPLIES WITH:

- ASME A112.18.1 / CSA B125.1
- Indicates compliance to ICC/ANSI A117.1



55 E. 111th Street, Indianapolis, Indiana 46280
 395 Matheson Blvd. E., Mississauga, ON L4Z 2H2
 © 2010 Masco Corporation of Indiana

Delta reserves the right (1) to make changes in specifications and materials, and (2) to change or discontinue models, both without notice or obligation. Dimensions are for reference only. See current full-line price book or www.specselect.com for finish options and product availability.