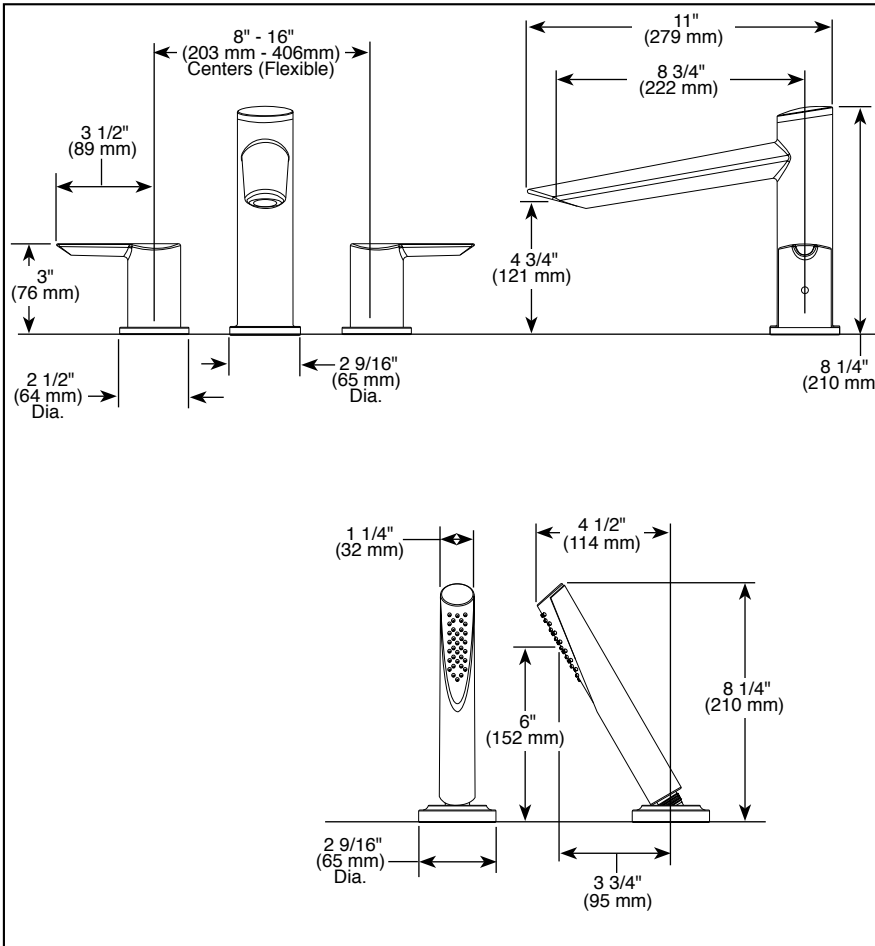


Submitted Model No.: \_\_\_\_\_

Specific Features: \_\_\_\_\_



▲ Designate Proper Finish Suffix



## ROMAN TUB/WHIRLPOOL FAUCET TRIM

- Compel™ Bath Collection
- Three Hole Installation (T2761 Series)
- Four Hole Installation (T4761 Series)
- Rough-In Kit Must Also be Ordered to Complete Installation (R4707 for four hole and R2707 for three hole)

### STANDARD SPECIFICATIONS:

- Trim Only for two handle Roman Tub faucet for concealed mounting.
- 11" (279 mm) long, 8 1/4" (210 mm) high slip-on rigid spout.
- Temperature and volume controlled with handles.
- Red/blue markings on handle for hot/cold identification.
- Rough-In kit must also be ordered to complete installation (R4707 for four hole and R2707 for three hole). There are separate specification sheets on each rough-in kit if more details are required.
- Handshower includes double check valves for backflow prevention (T4761).
- Handshower water efficient flowrate of 2.0 GPM @ 80 PSI.

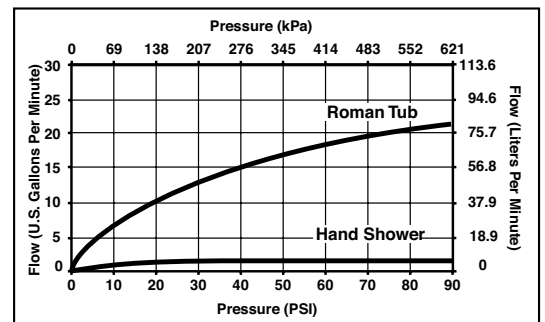
### WARRANTY

- Lifetime Faucet and Finish Limited Warranty to the original consumer purchaser to be free from defects in material and workmanship.
- 5 Year Limited Warranty for usage in all industrial, commercial and business applications.



### COMPLETE VALVE COMPLIES WITH:

- ASME A112.18.1 / CSA B125.1
- Indicates compliance to ICC/ANSI A117.1



55 E. 111th Street, Indianapolis, Indiana 46280  
350 South Edgeware Road, St. Thomas, ON N5P 4L1  
© 2012 Masco Corporation of Indiana

Delta reserves the right (1) to make changes in specifications and materials, and (2) to change or discontinue models, both without notice or obligation. Dimensions are for reference only. See current full-line price book or www.specselect.com for finish options and product availability.

DSP-B-T2761 Rev. A