

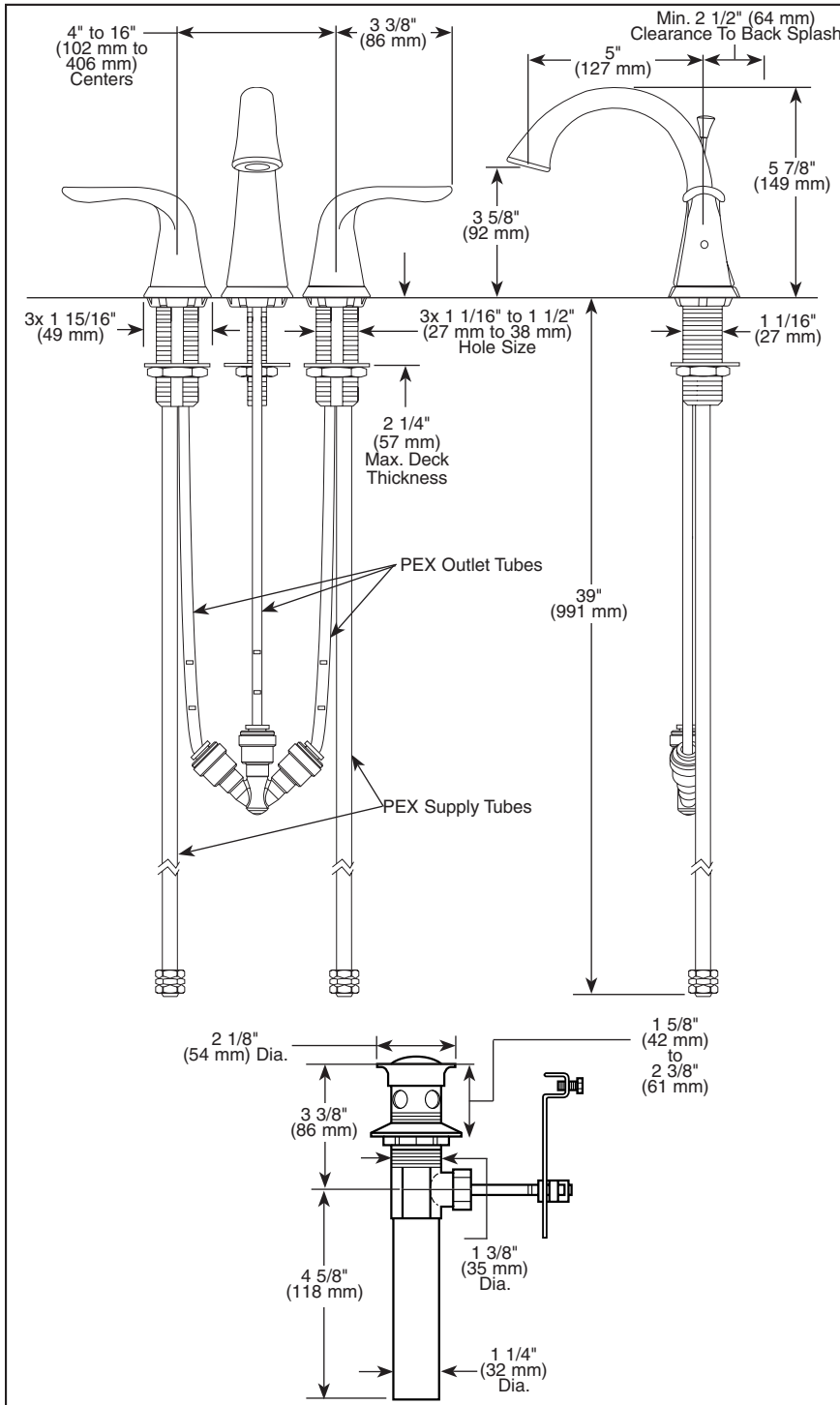


3538-▲MPU-DST



Submitted Model No.: \_\_\_\_\_

Specific Features: \_\_\_\_\_



▲ Designate proper finish suffix

Delta reserves the right (1) to make changes in specifications and materials, and (2) to change or discontinue models, both without notice or obligation. Dimensions are for reference only. See current full-line price book or [www.specselect.com](http://www.specselect.com) for finish options and product availability.

DSP-L-3538-MPU-DST Rev. A



# LAVATORY FAUCETS

- Lahara® Bath Collection
- Two Handle Widespread Deck Mount
- 3 Hole Sink Applications
- 4"-16" Centers
- Diamond™ Seal Technology

## STANDARD SPECIFICATIONS:

- Solid brass fabricated end valve.
- Widespread - 4" (102 mm) to 16" (406 mm) centers.
- 5" (127 mm) long, 5 7/8" (149 mm) high, rigid spout.
- 1/4 turn stops.
- Hot and cold stems are interchangeable.
- Lever handle. Control mechanism is the diamond embedded ceramic disc cartridge.
- 3/8" O.D. straight pex supply tubes, 39" (991 mm) long.
- Models with suffix "MPU" have metal drain with pop-up type fitting with plated flange and stopper.
- Maximum flow rate 1.5 gpm @ 60 PSI.
- Maximum mounting deck thickness is 2 1/4" (57 mm).

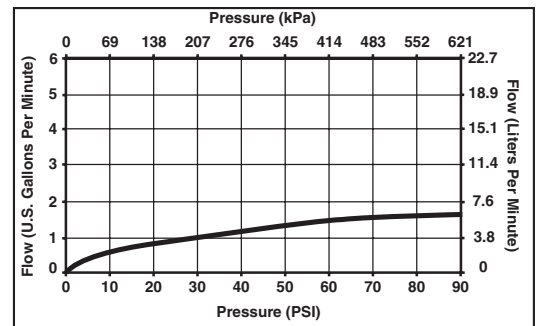
## WARRANTY

- Lifetime Faucet and Finish Limited Warranty to the original consumer purchaser to be free from defects in material and workmanship.
- 5 Year Limited Warranty for usage in all industrial, commercial and business applications.



## COMPLETE VALVE COMPLIES WITH:

- ASME A112.18.1 / CSA B125.1
- ASME A112.18.2 / CSA B125.2
- ASME A112.18.6
- Indicates compliance to ICC/ANSI A117.1
- EPA WaterSense
- Verified compliant with .25% weighted average Pb content regulations.



55 E. 111th Street, Indianapolis, Indiana 46280  
 350 South Edgeware Road, St. Thomas, ON N5P 4L1  
 © 2011 Masco Corporation of Indiana