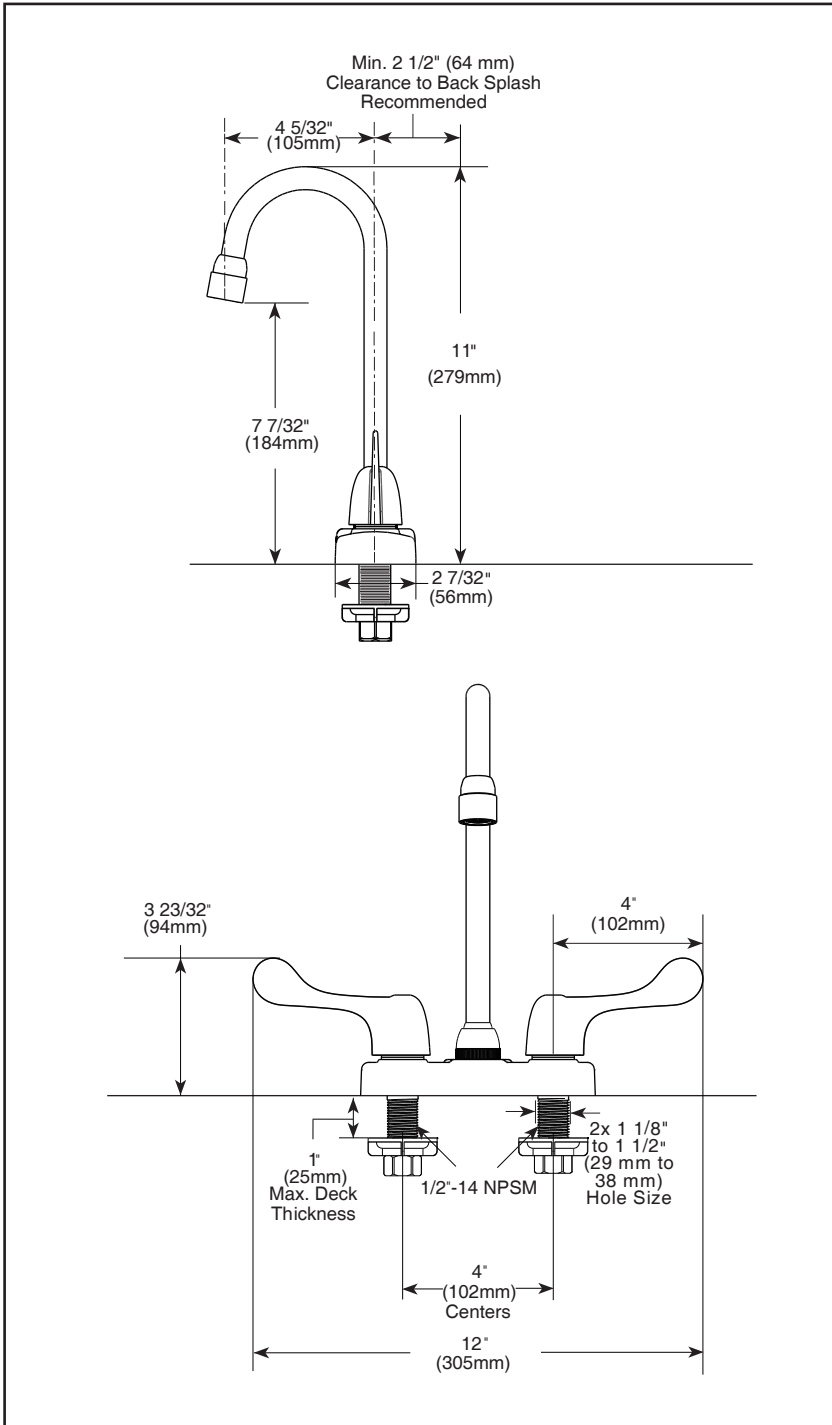


2171LF-WBHDF



Submitted Model No.: \_\_\_\_\_

Specific Features: \_\_\_\_\_



## BAR & PREP SINK FAUCETS

- Two Handle, Deck Mount
- 2 and 3 Hole Sink Applications
- 4" Centerset

### STANDARD SPECIFICATIONS:

- Solid brass cast body.
- Two handle bar sink faucet for exposed mounting on 2 and 3 hole sinks with 4" centers.
- 4" (102mm) centerset.
- 4 5/32" (105mm) long. 11" (279mm) high spout, swings 360°.
- All operating parts are replaceable from the top.
- Hot and cold stems are interchangeable.
- 1/2"-14 NPSM threaded male inlet shanks.
- Control mechanism is a rotating cylinder type with stainless steel plate and 90° rotating, with replaceable non-metallic seats.
- 1.5 gpm (5.7 l/min) max. flow rate @ 60 psi.

### WARRANTY

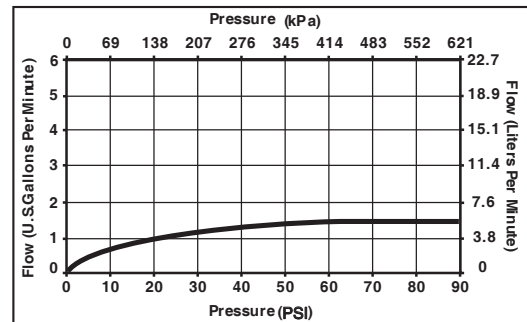
- 5 Year Limited Warranty to the original consumer purchaser to be free from defects in material and workmanship for usage in all Industrial, Commercial and business applications.



### COMPLIES WITH

- ASME A112.18.1 / CSAB125.1
- Indicates compliance to ICC / ANSI A117.1
- CSA Certified

Verified compliant with 0.25% weighted average Pb content regulations.



55 E. 111th Street, Indianapolis, Indiana 46280  
395 Matheson Blvd. E., Mississauga, ON L4Z 2H2  
© 2010 Masco Corporation of Indiana

Delta reserves the right (1) to make changes in specifications and materials, and (2) to change or discontinue models, both without notice or obligation. Dimensions are for reference only. See full-line price book or [www.specselect.com](http://www.specselect.com) for finish options and product availability.