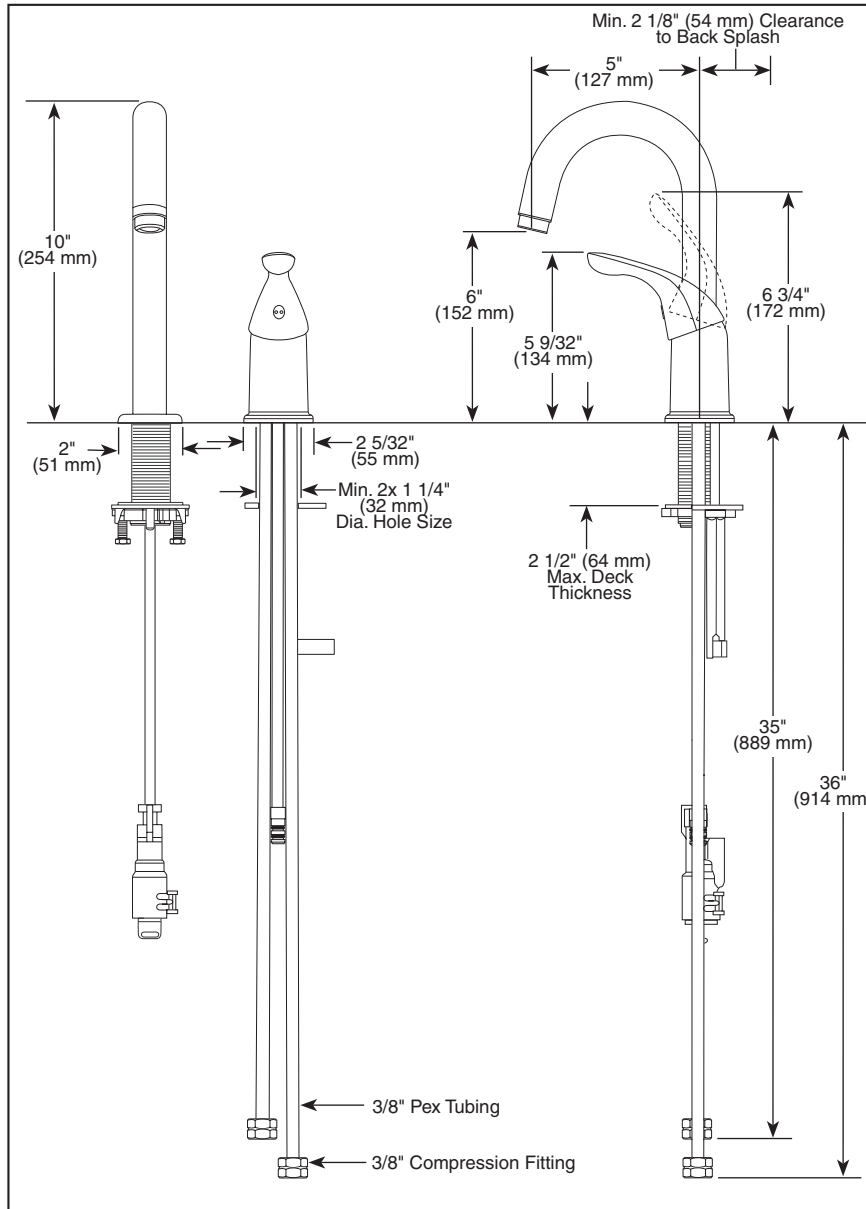


Submitted Model No.: _____

Specific Features: _____



▲ Designate proper finish suffix



BAR & PREP SINK FAUCETS

- Classic Series
- Single Handle Widespread Deck Mount
- Two Hole Sink Applications
- Pex® Hose Installation

STANDARD SPECIFICATIONS:

- Solid fabricated brass body.
- 5" (127 mm) long, 10" (254 mm) high spout swings 180°.
- Lever handle shall return to neutral position when faucet is turned off.
- Red and blue button on handle to indicate hot/cold temperature.
- Control mechanism shall be the diamond coated ceramic cartridge.
- Pex® hose installation.
- 3/8" O.D. straight, staggered pex supply tubes - 35" (889 mm) and 36" (914 mm) long - with 3/8" compression fittings.
- Thick deck mounting kit for 3 1/2" (89 mm) max. deck thickness available as RP37775.
- Maximum flow rate of 1.5 gpm @ 60 PSI.

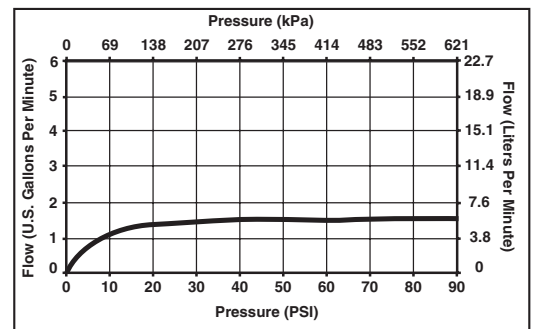
WARRANTY

- Lifetime Faucet and Finish Limited Warranty to the original consumer purchaser to be free from defects in material and workmanship.
- 5 Year Limited Warranty for usage in all industrial, commercial and business applications.



COMPLIES WITH:

- ASME A112.18.1 / CSA B125.1
- ASME A112.18.6
- Indicates compliance to ICC/ANSI A117.1
- Verified compliant with .25% weighted average Pb content regulations.



55 E. 111th Street, Indianapolis, Indiana 46280
 350 South Edgeware Road, St. Thomas, ON N5P 4L1
 © 2012 Masco Corporation of Indiana

Delta reserves the right (1) to make changes in specifications and materials, and (2) to change or discontinue models, both without notice or obligation. Dimensions are for reference only. See current full-line price book or www.specselect.com for finish options and product availability.