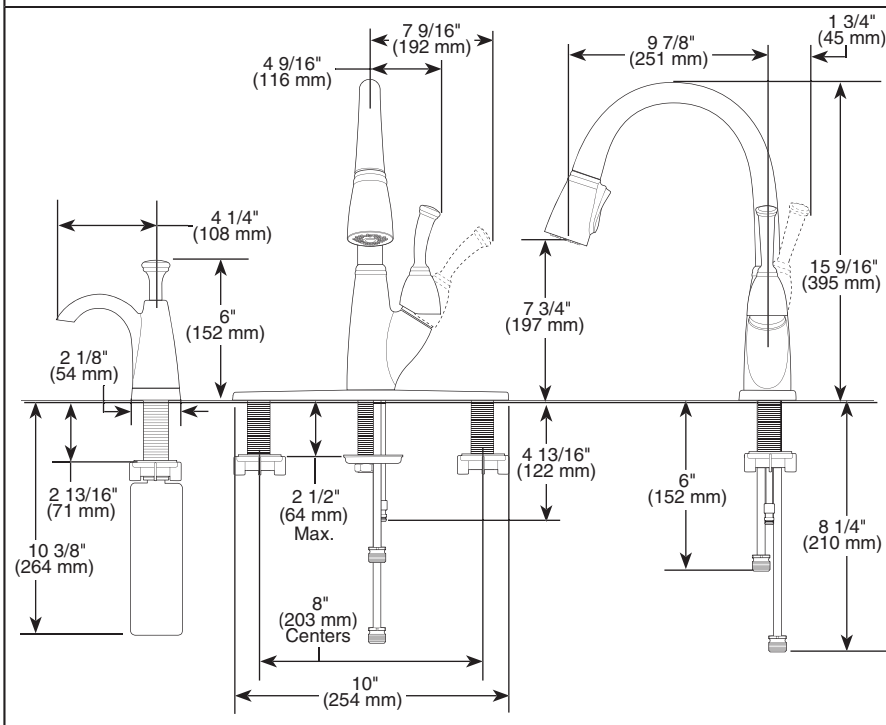
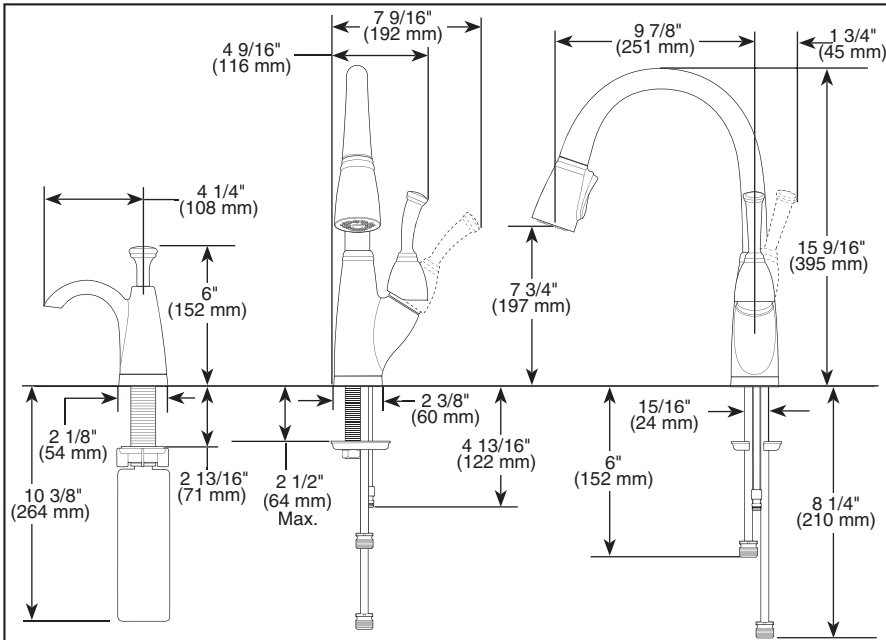


Submitted Model No.: _____
 Specific Features: _____



KITCHEN FAUCETS

- Allora™ Pull-Down Collection
- Single Handle Deck Mount
- Single, 2 or 3 Hole Sink Applications
- Optional Soap Dispenser

STANDARD SPECIFICATIONS:

- Solid brass fabricated body.
- Centermount or 8" (203 mm) centers with optional 10" (254 mm) escutcheon.
- 15 9/16" (395 mm) high, 9 7/8" (251 mm) long, spout swings 360°.
- Lever handle. Control mechanism is the rotating stainless steel ball type with replaceable non-metallic seats operating in stainless steel lined sockets.
- Control shall return to neutral position when faucet is turned off.
- Touch-Clean® 2 function (stream/spray) sprayhead.
- Quick Snap® connect hoses.
- Pull-down wand operates in an aerated or spray mode via an ergonomic toggle diverter.
- Red/blue graphics on handle button to indicate hot/cold temperature.
- Magnetic docking system secures sprayer to spout.
- Integral double check valves in sprayer assembly.
- Integrated removable debris screen in sprayer assembly.
- Integral hose lead to aid installation.
- Spacer for mounting nut to reduce number of turns required for installation.
- Mounting wrench to assist in tightening mounting nut securely.
- Hose travels inside mounting shank so it will not interfere with deck edges.
- Keyed trim ring and 10" (254 mm) escutcheon to help alignment and aid installation.

Note: See 999* for matching bar/prep.

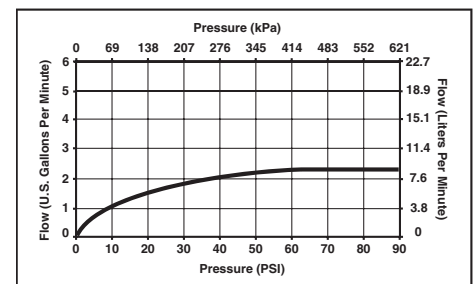
WARRANTY

- Lifetime Faucet and Finish Limited Warranty to the original consumer purchaser to be free from defects in material and workmanship.
- 5 Year Limited Warranty for usage in all industrial, commercial and business applications.



COMPLIES WITH:

- ASME A112.18.1 / CSA B125.1
- Indicates ADA compliance to ICC/ANSI A117.1/ADA



Indianapolis, Indiana 46280
 A Division of Masco Corporation of Indiana
 © 2006 Masco Corporation of Indiana

Delta reserves the right (1) to make changes in specifications and materials, and (2) to change or discontinue models, both without notice or obligation. Dimensions are for reference only. See current full-line price book for finish options and product availability.