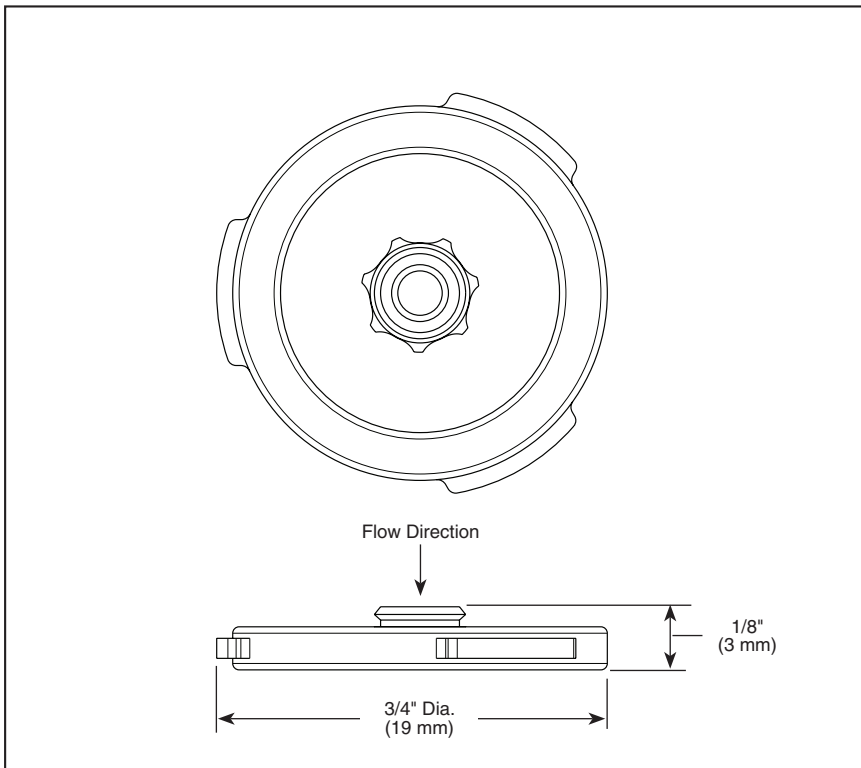


Submitted Model No.: _____

Specific Features: _____



HANDSHOWER REGULATOR WASHER

STANDARD SPECIFICATIONS

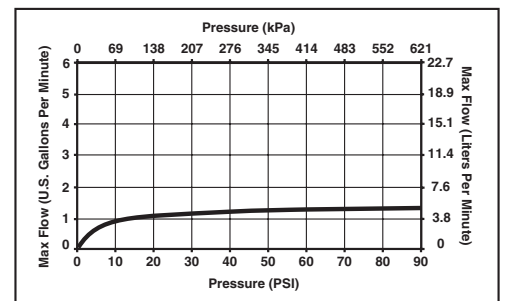
- 1.5 GPM Maximum at 80 PSI.
- Assembly of a flow regulator in any 1/2" shower hose fitting - no additional washer needed.
- Convenient and inexpensive way to save water and energy when using a handshower.

WARRANTY

- Lifetime Faucet and Finish Limited Warranty to the original consumer purchaser to be free from defects in material and workmanship.
- 5 Year Limited Warranty for usage in all industrial, commercial and business applications.

COMPLIES WITH:

- ASME A112.18.1 / CSA B125.1



Delta reserves the right (1) to make changes in specifications and materials, and (2) to change or discontinue models, both without notice or obligation. Dimensions are for reference only. See current full-line price book or www.specselect.com for finish options and product availability.

DSP-B-RP62734 Rev. A



55 E. 111th Street, Indianapolis, Indiana 46280
395 Matheson Blvd. E., Mississauga, ON L4Z 2H2
© 2010 Masco Corporation of Indiana