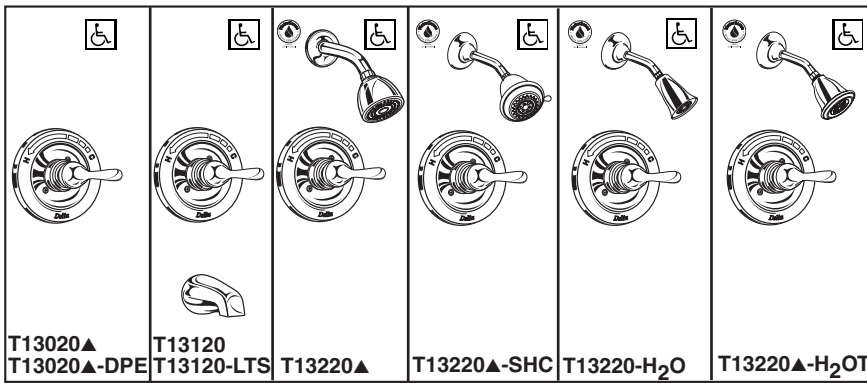




TUB AND SHOWER FAUCET TRIM



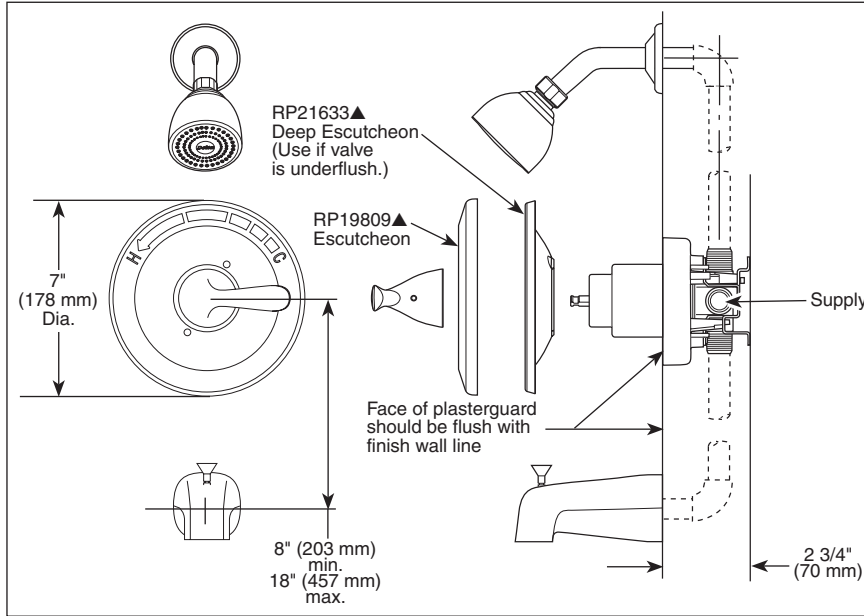
- Valve Only (T13020 Series)
- Tub Only (T13120 Series)
- Shower Only (T13220 Series)

STANDARD SPECIFICATIONS:

- Monitor® 13 Series pressure balanced bath mixing valve.
- Maintains a balanced pressure of hot and cold water even when a valve is turned on or off elsewhere in the system.
- For use with MultiChoice® Universal rough valve body. (R10000 Series)
- Back-to-back installation capability.
- Solid brass fabricated body.
- Temperature only controlled with metal lever handle.
- Field adjustable to limit handle rotation into hot water zone.
- 120° maximum handle rotation.
- All parts replaceable from the front of the valve.
- Models with "LTS" suffix supplied with 7" long non-diverter slip-on spout (RP36498).
- T13220-H2O uses RP46384.
- T13220-H2OT uses RP54752.
- DPE = 1" deeper escutcheon (RP21633).
- **Note:** Product will be marked with flow rate of specific showerhead.

Submitted Model No.: _____

Specific Features: _____



WARRANTY

- Lifetime Faucet and Finish Limited Warranty to the original consumer purchaser to be free from defects in material and workmanship.
- 5 Year Limited Warranty for usage in all industrial, commercial and business applications.

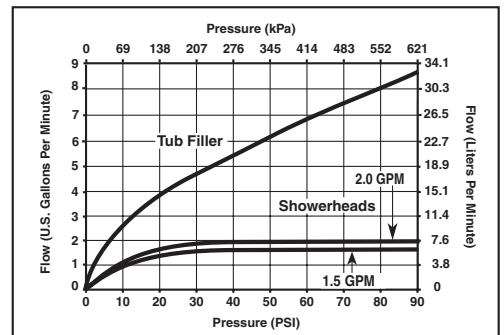


COMPLIES WITH:

- ASME A112.18.1 / CSA B125.1
- ASSE 1016
- Indicates compliance to ICC/ANSI A117.1
- Indicates compliance to WaterSense

<p>RP5833</p> <p>2 1/2" (64 mm) 4 3/4" (121 mm)</p>
<p>RP36498▲ (Slip-On Metallic)</p> <p>2 1/2" (64 mm) 7" (177.8 mm)</p>
<p>RP48717</p> <p>2 3/4" (70 mm) 3 3/16" (81 mm)</p>
<p>RP46384▲ 1.5 GPM H₂O Showerhead</p> <p>4 3/4" (121 mm) 3 1/4" (83 mm)</p>

<p>RP43381▲ Touch-Clean® Raincan Showerhead</p> <p>4 3/4" (121 mm)</p> <p>Full Spray</p> <p>Massage</p> <p>4 7/8" (124 mm)</p>
<p>RP38357 2.0 GPM Touch-Clean® Showerhead</p> <p>2 3/4" (70 mm) 2 5/8" (66 mm)</p> <p>Full Spray</p>
<p>RP54752▲ 1.5 GPM H₂O Showerhead</p> <p>4 1/2" (114 mm) 3 7/8" (98 mm)</p> <p>Full Spray</p>



▲ Designate proper finish suffix

Delta reserves the right (1) to make changes in specifications and materials, and (2) to change or discontinue models, both without notice or obligation. Dimensions are for reference only. See current full-line price book or www.specselect.com for finish options and product availability. DSP-B-T13020 Rev. J



55 E. 111th Street, Indianapolis, Indiana 46280
350 South Edgeware Road, St. Thomas, ON N5P 4L1
© 2011 Masco Corporation of Indiana