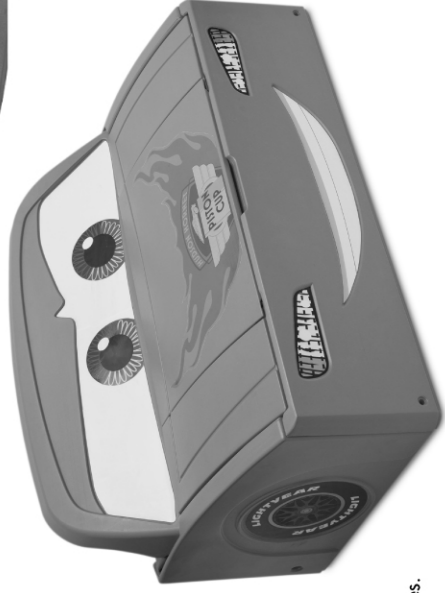




TODDLER TO TWIN BED W/ LIGHTS & TOY BOX

BB86609CR Toddler Bed- Toy Box
BB86655CR Twin Bed



TODDLER BED

⚠️ WARNING:
THIS ITEM REQUIRES ASSEMBLY BY AN ADULT BECAUSE OF SMALL PARTS. CARE SHOULD BE TAKEN IN UNPACKING AND ASSEMBLY OF THIS PRODUCT. THE MINIMUM AGE SHALL NOT BE LESS THAN 15 MONTHS AND THE MAXIMUM WEIGHT SHALL NOT BE GREATER THAN 50 LBS. (22.7 KG).

⚠️ CAUTION:
ENTRAPMENT HAZARD :TO AVOID DANGEROUS GAPS, ANY MATTRESS USED IN THIS BED SHALL BE A FULL-SIZE CRIB MATTRESS AT LEAST 51 5/8 IN. (1310 MM) IN LENGTH, 27 1/4 IN. (690 MM) IN WIDTH, AND 4 IN. (100 MM) IN THICKNESS. MAXIMUM RECOMMENDED MATTRESS THICKNESS 6 IN. (140 MM).

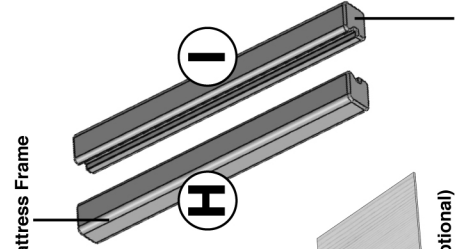
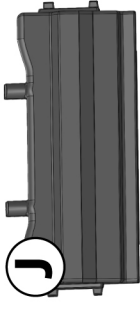
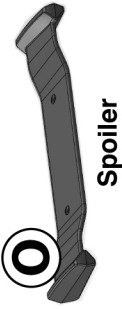
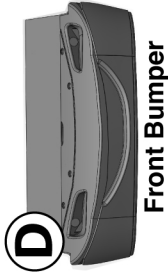
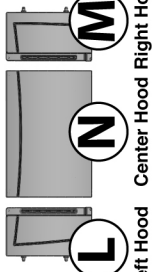
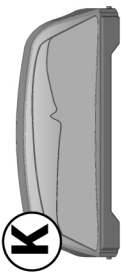
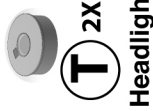
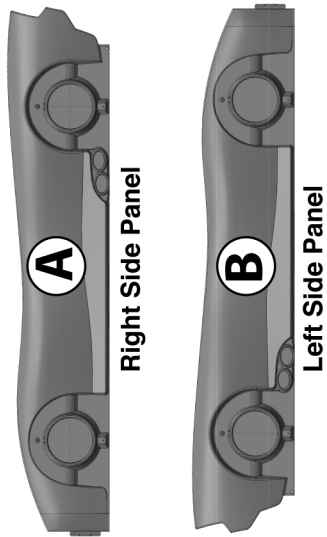
TOY BOX

⚠️ WARNING:
THIS ITEM REQUIRES ASSEMBLY BY AN ADULT BECAUSE OF SMALL PARTS. CARE SHOULD BE TAKEN IN UNPACKING AND ASSEMBLY OF THIS PRODUCT. TO AVOID RISK OF SUFFOCATION, DO NOT ALLOW CHILDREN TO PLAY INSIDE THIS CONTAINER.

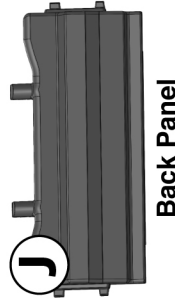
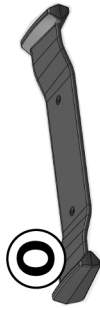
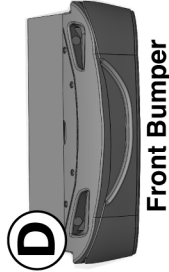
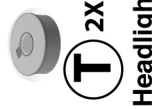
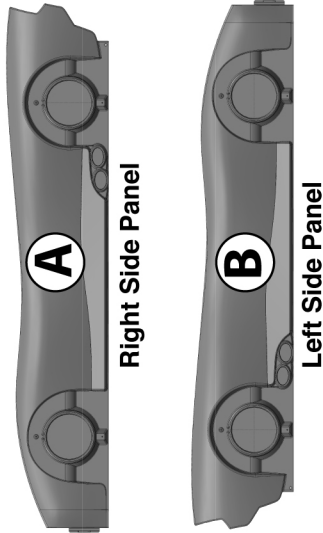
PHILLIPS SCREWDRIVER REQUIRED.
Do not mix old and new batteries.
Do not mix alkaline, standard (carbon-zinc), or rechargeable (nickel-cadmium) batteries.
Colors and styles may vary slightly.
Accessories not included. Bedding and mattress not included.



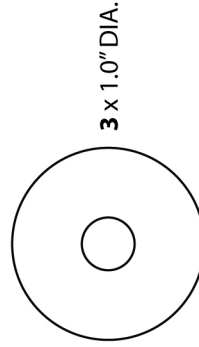
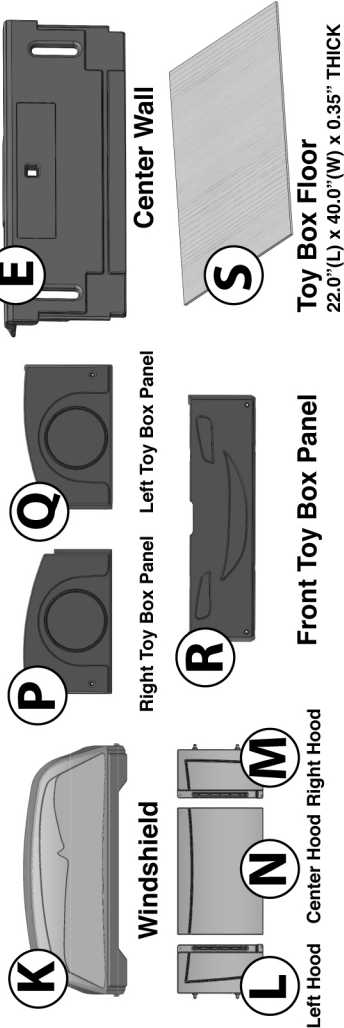
Toddler Bed Parts



Twin Bed Parts

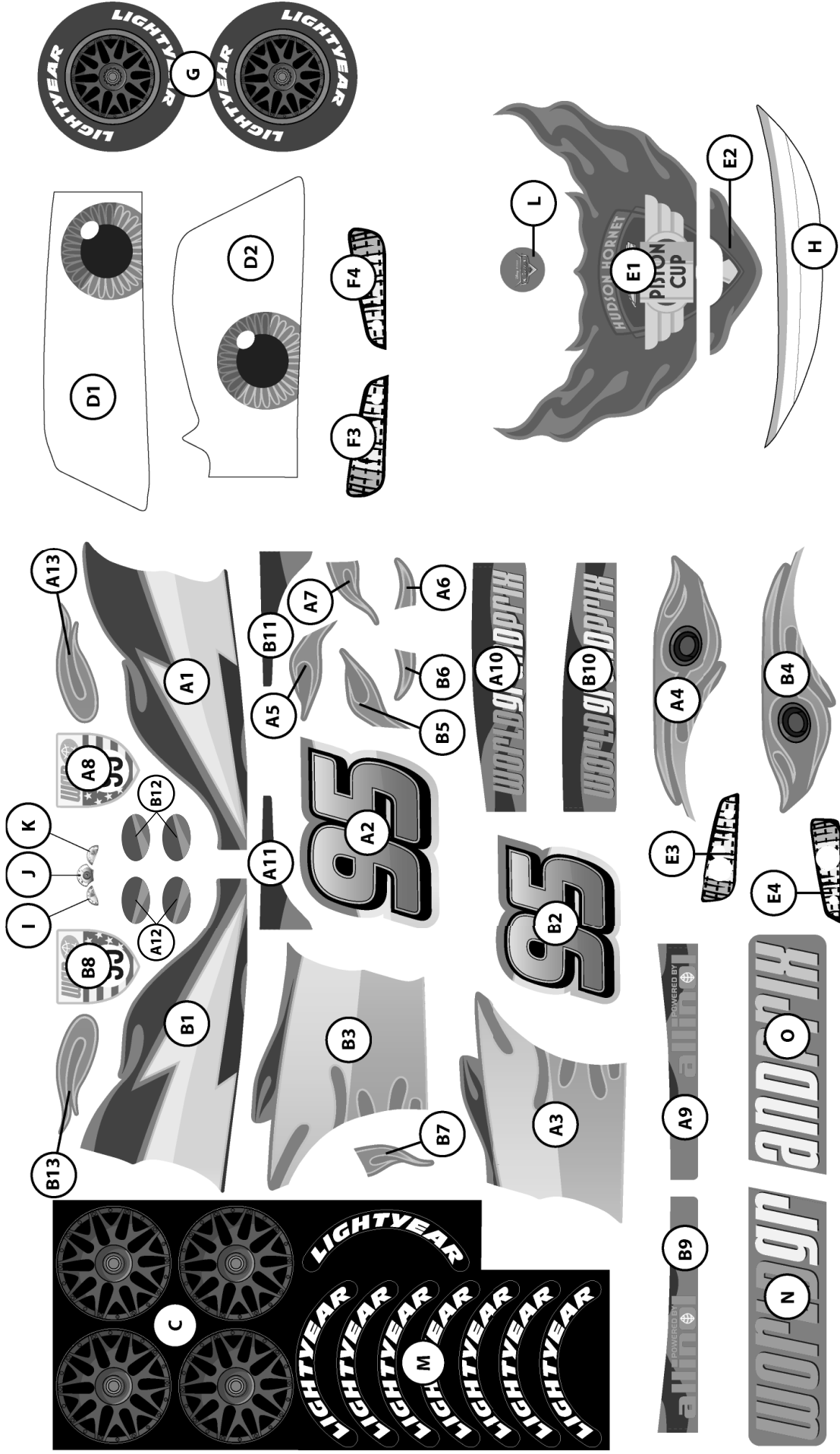


Toy Box Parts

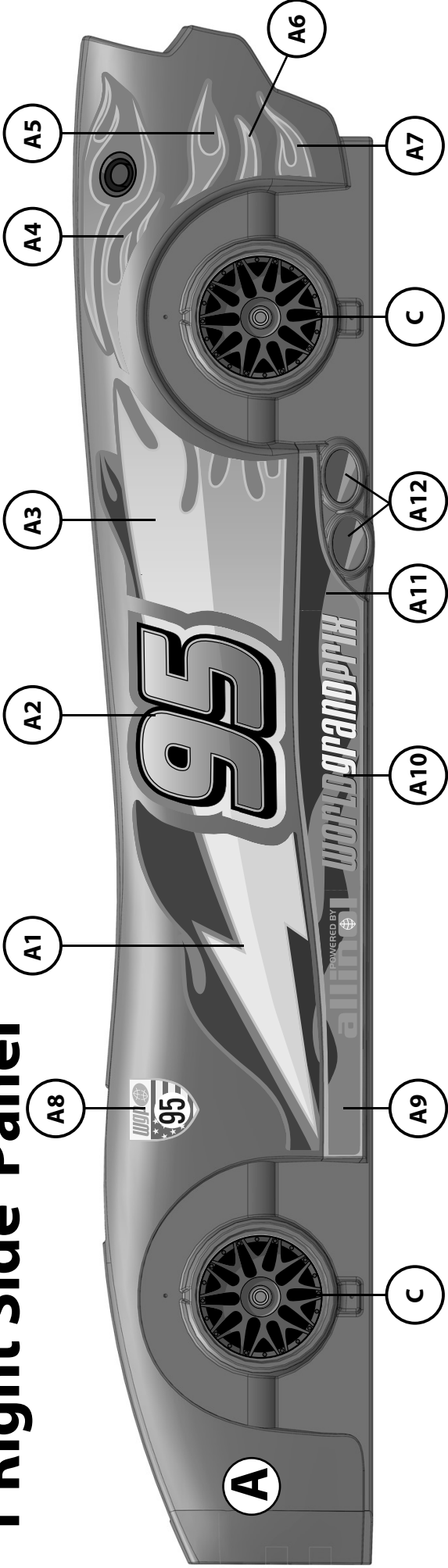


Stickers

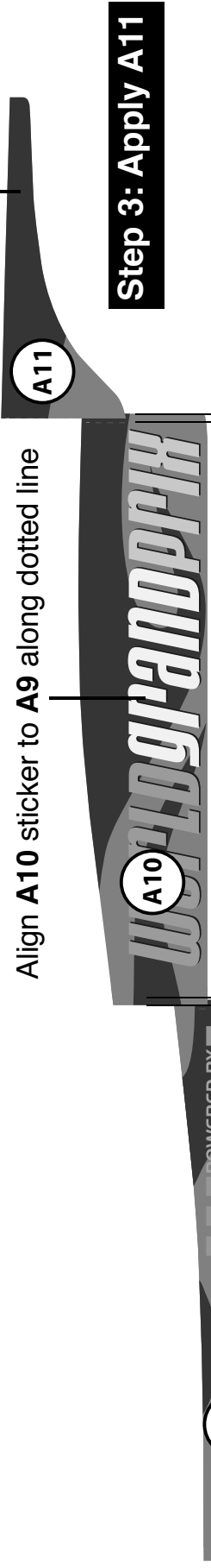
- Please apply all stickers on individual parts before assembly unless otherwise specified
- DO NOT apply stickers to tires, steering wheel, or spoiler until AFTER the toddler bed is fully assembled
- For best results, place individual parts on a flat surface before applying stickers.



1 Right Side Panel

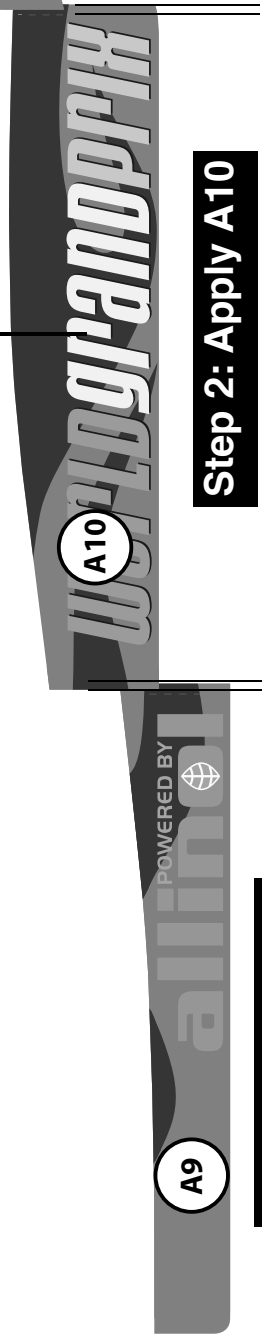


Align A11 sticker to A10 along dotted line



Step 3: Apply A11

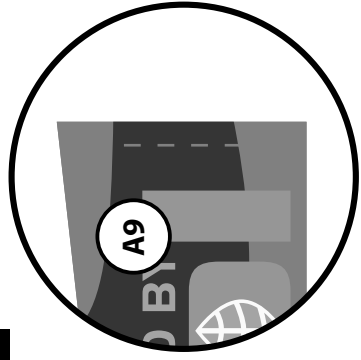
Align A10 sticker to A9 along dotted line



Step 2: Apply A10

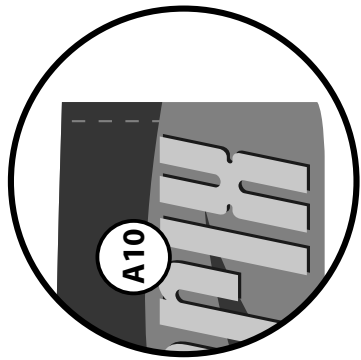
Step 1: Apply A9

Overlap



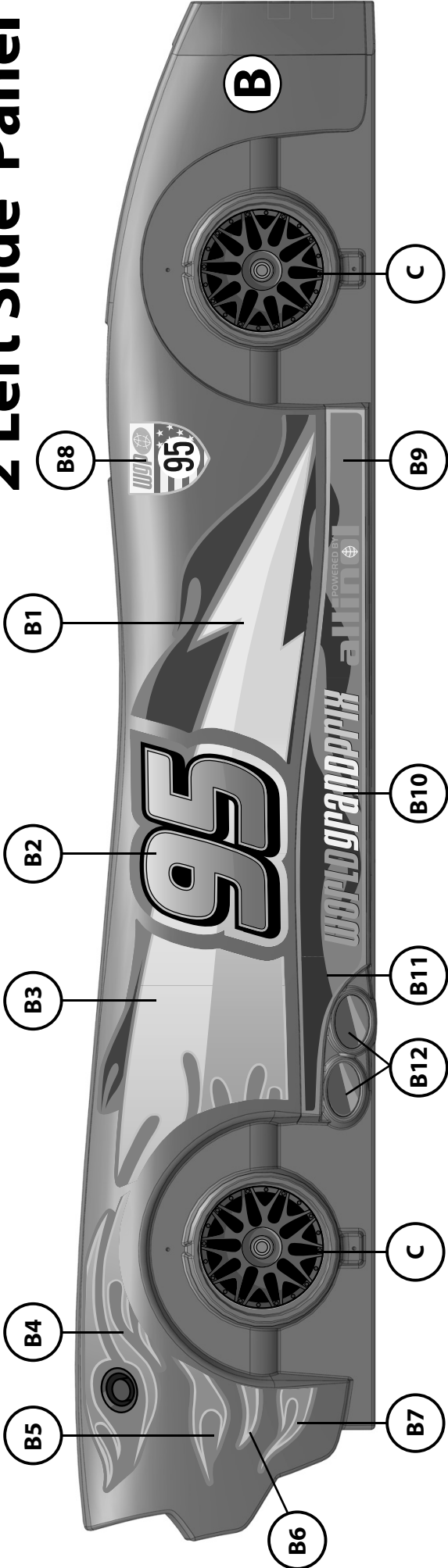
Dotted line located here

Overlap



Dotted line located here

2 Left Side Panel



Align **B11** sticker to **B10** along dotted line



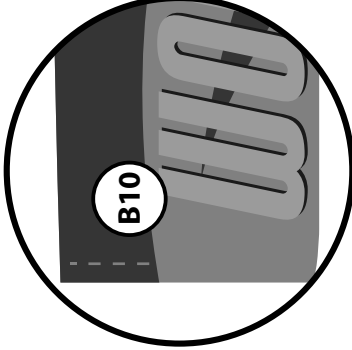
Step 3: Apply B11

Align **B10** sticker to **B9** along dotted line



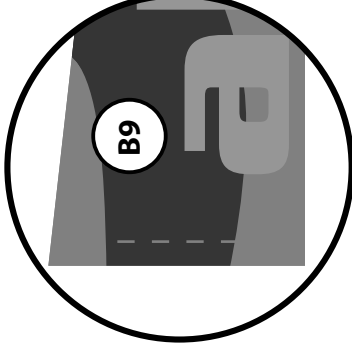
Step 2: Apply B10

Overlap



Dotted line located here

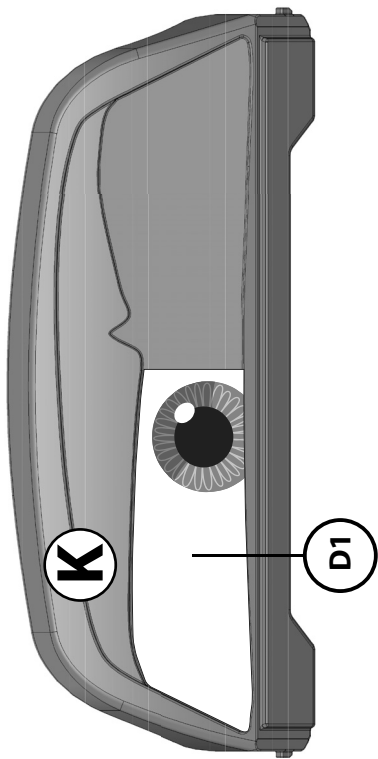
Overlap



Dotted line located here

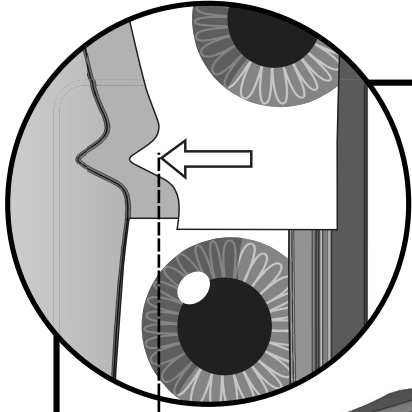
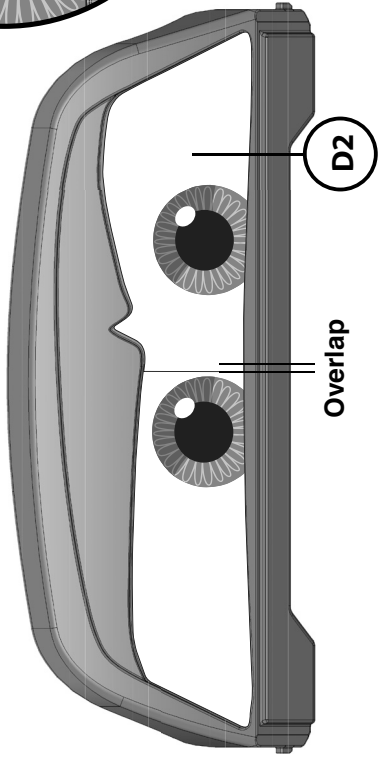
Step 1: Apply B9

3A

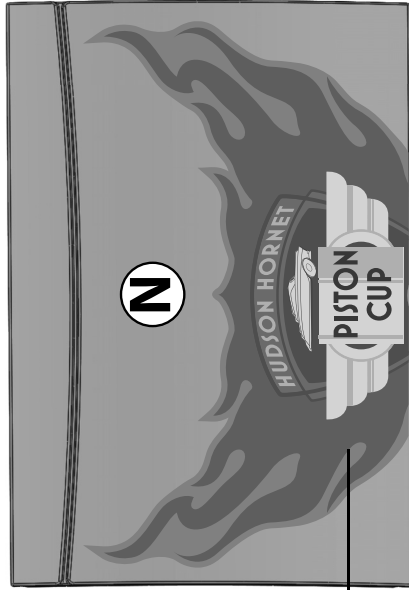


3B

• Apply D2 sticker beginning here. -----

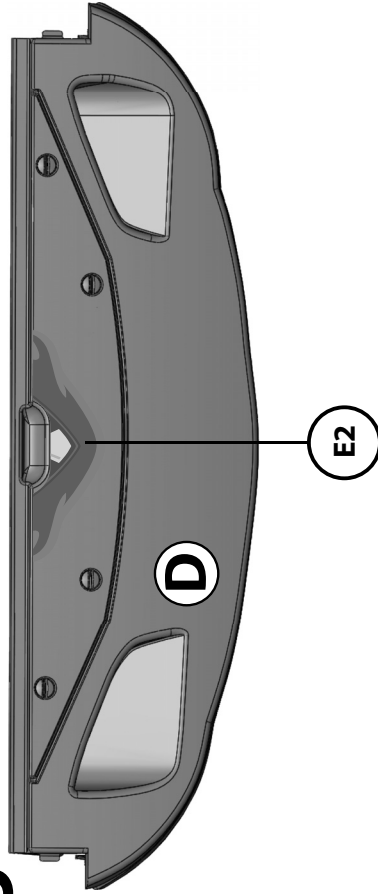


4

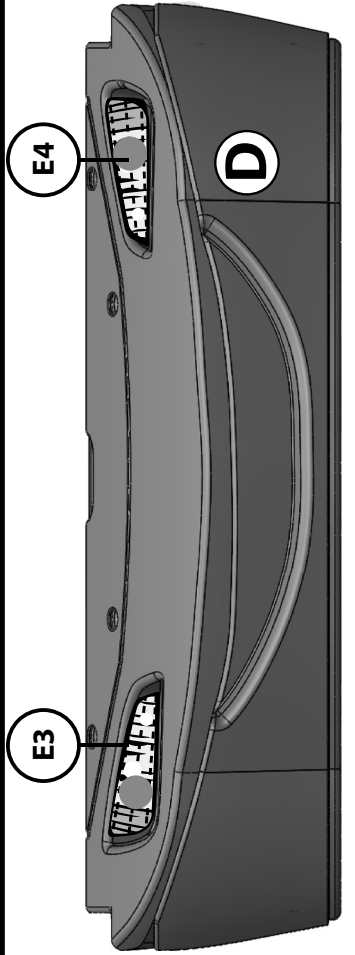


E1

5



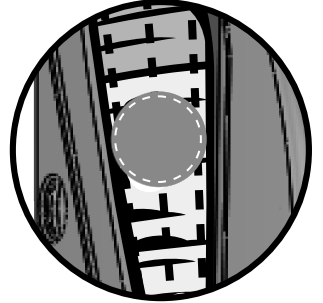
6

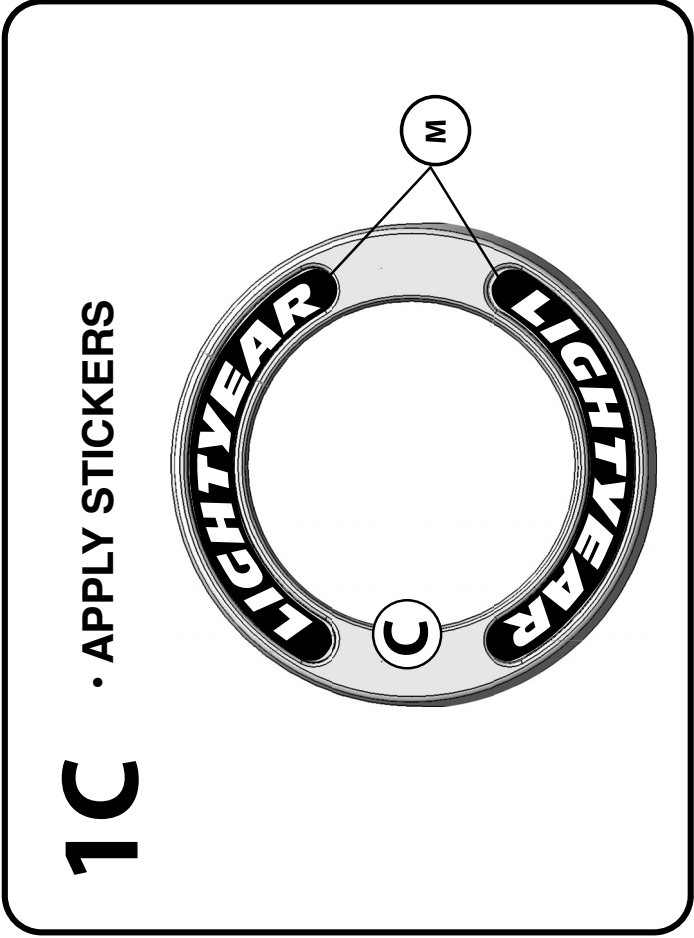
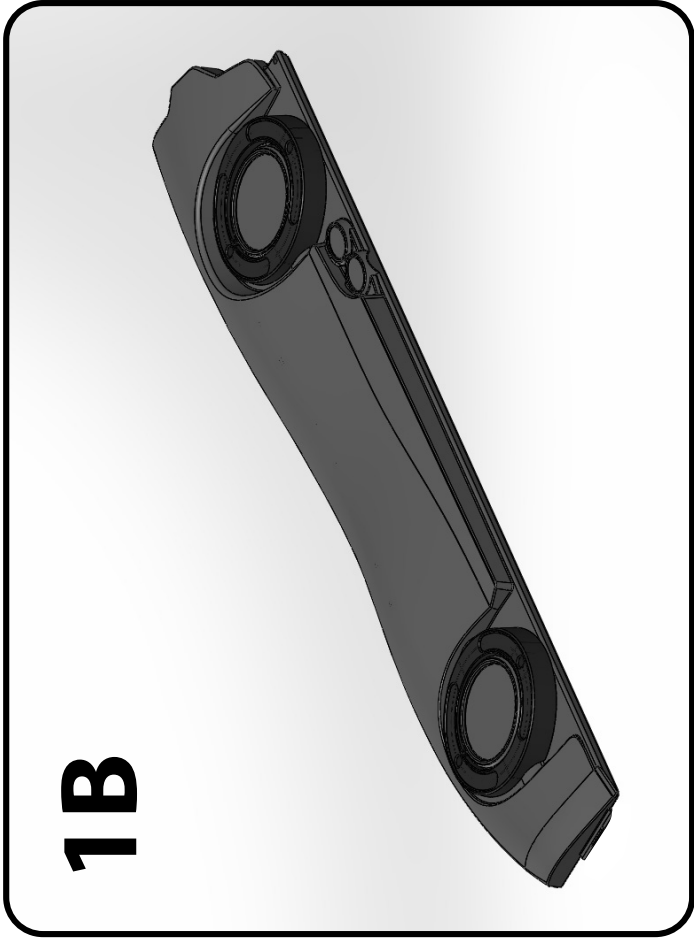
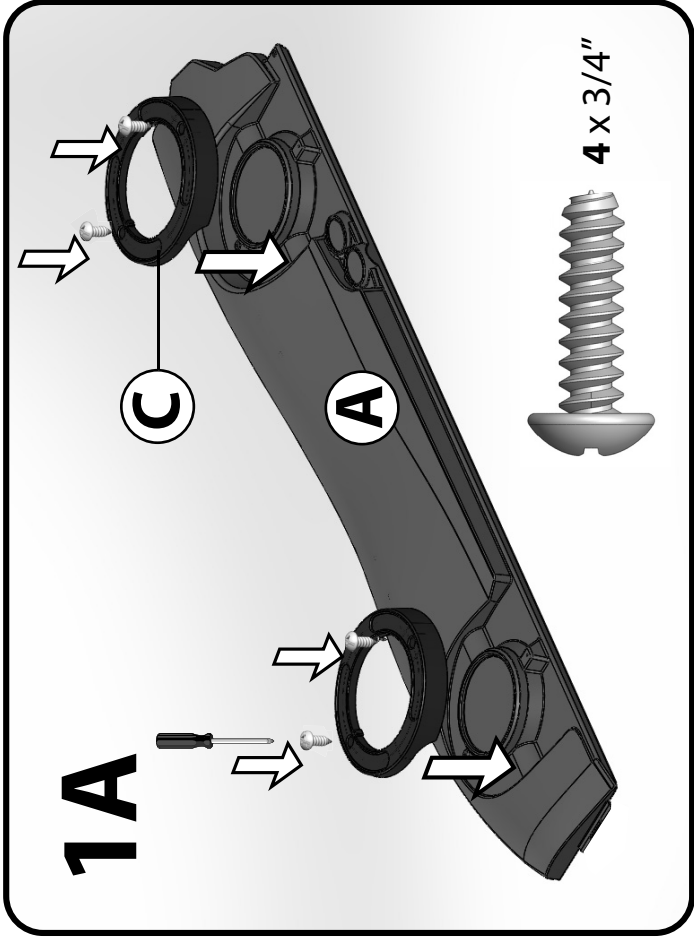


E3

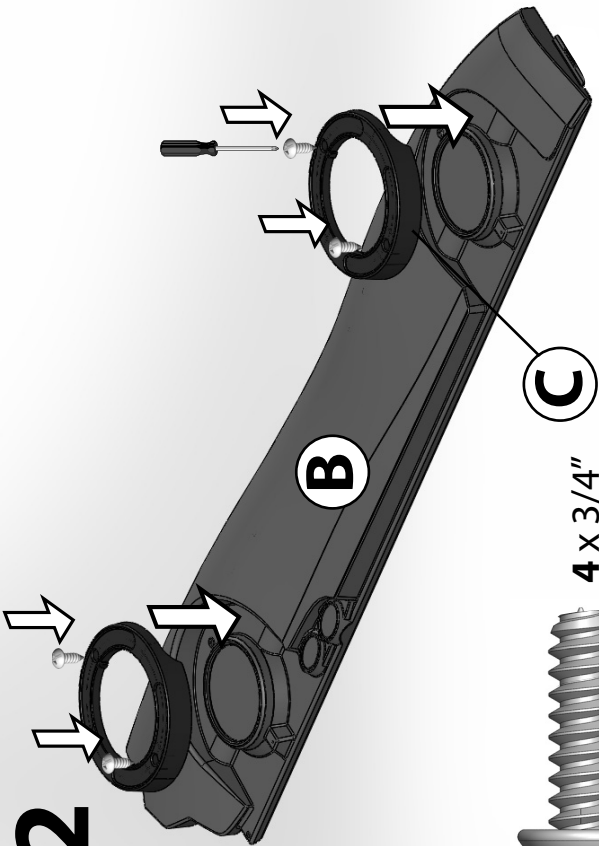
E4

• Match cut-out in
headlight sticker to
holes on front bumper

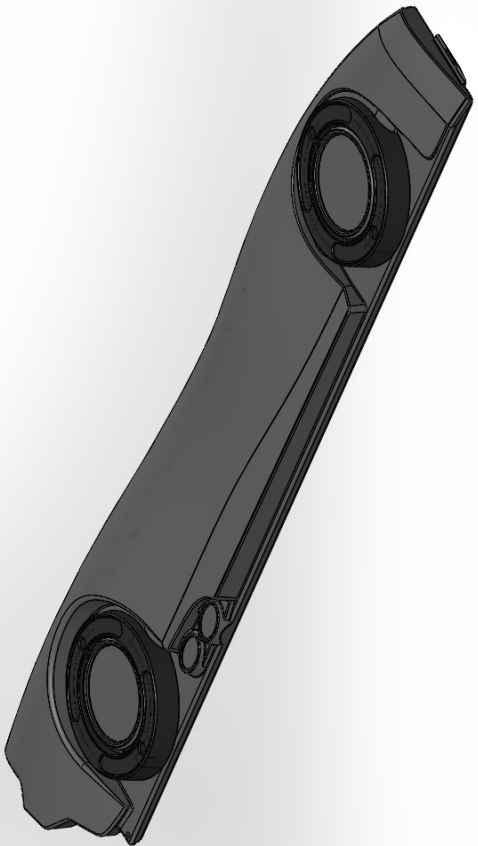




2



2B



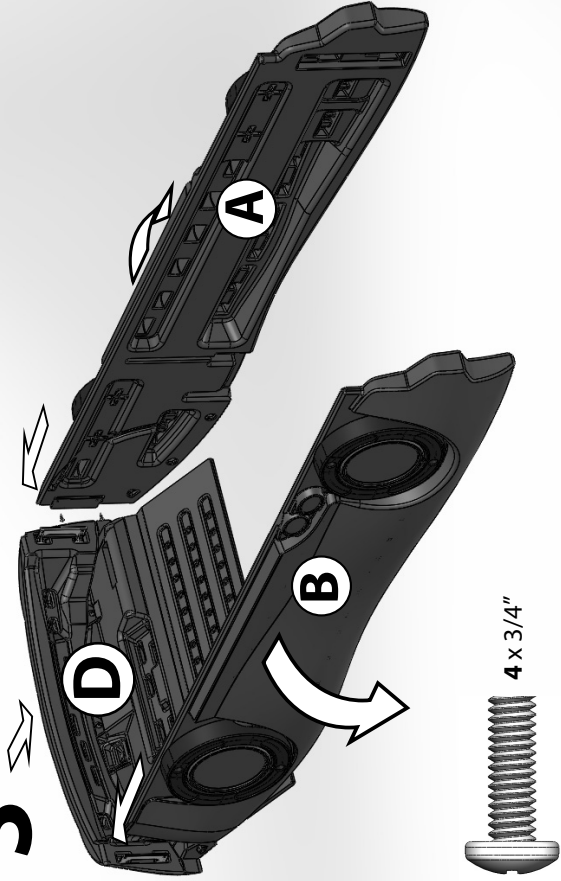
2C

• APPLY STICKERS



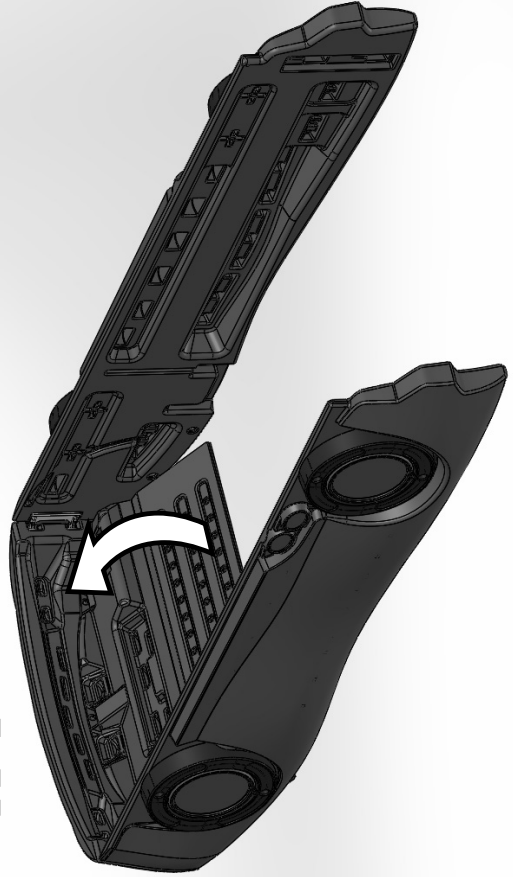
• Turn both side panels and front bumper upside down to begin assembly

3

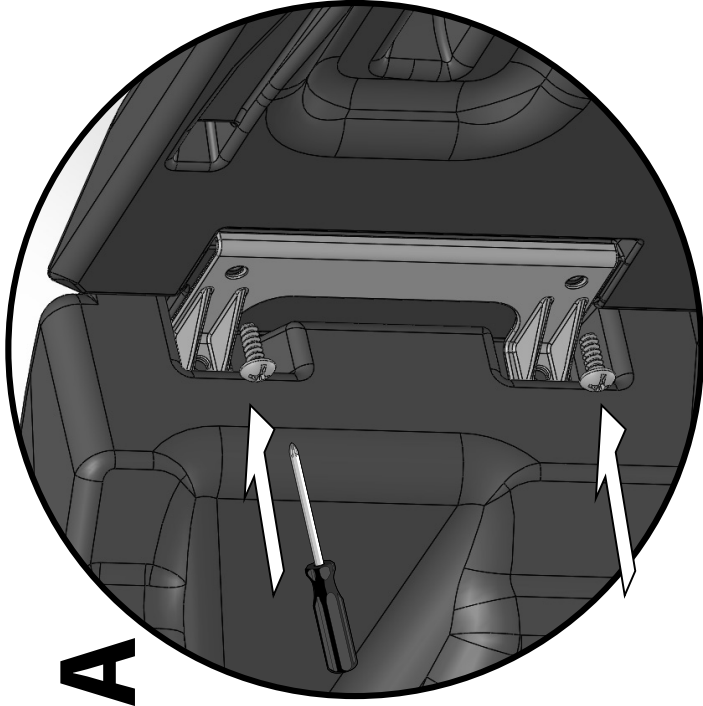


4A

• Fold cover upwards into fully locked position

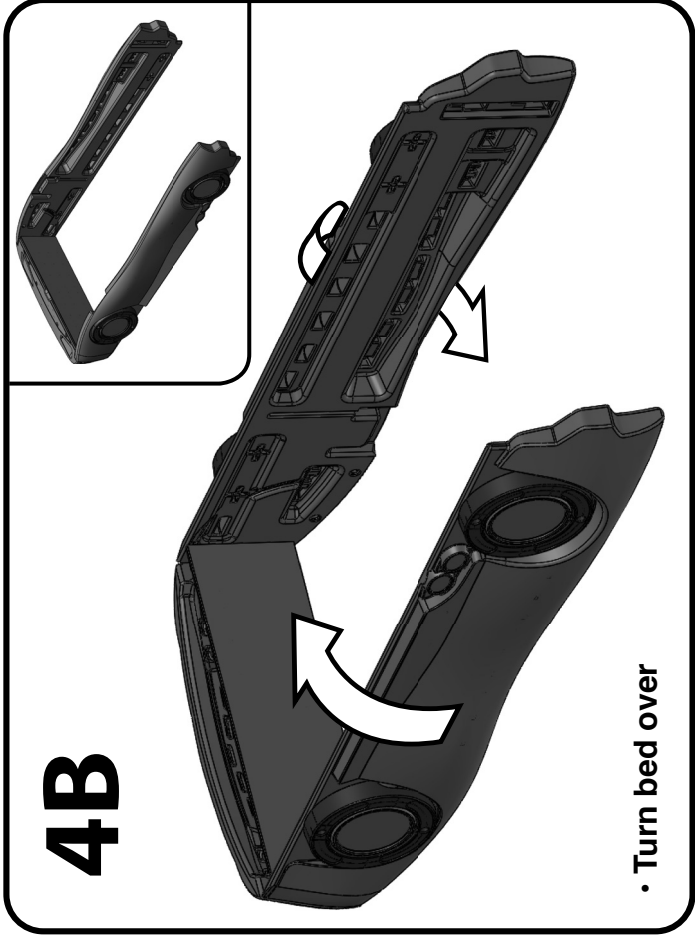


3A



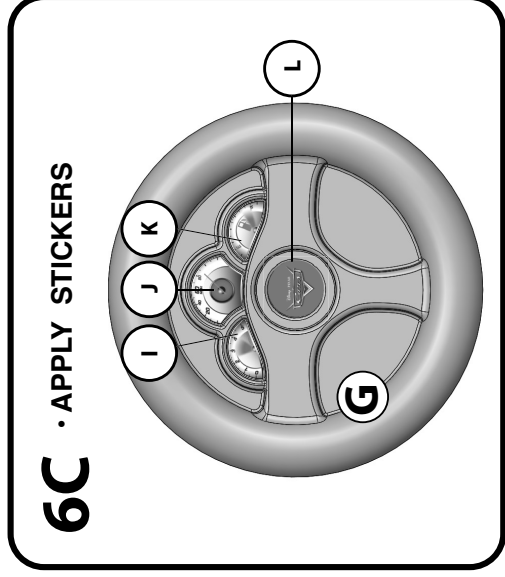
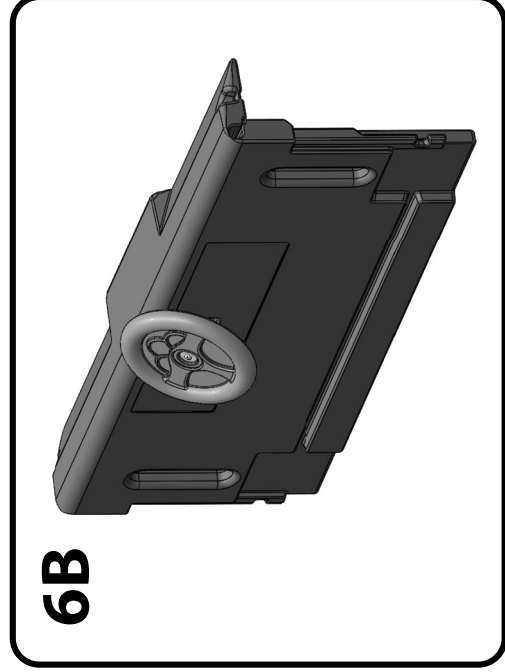
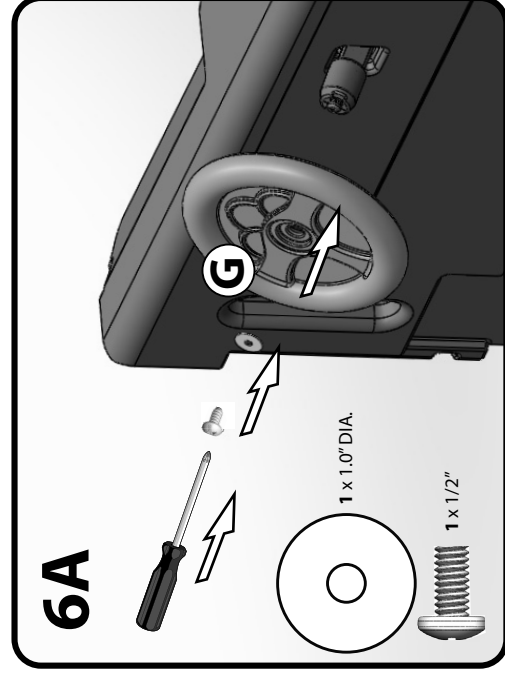
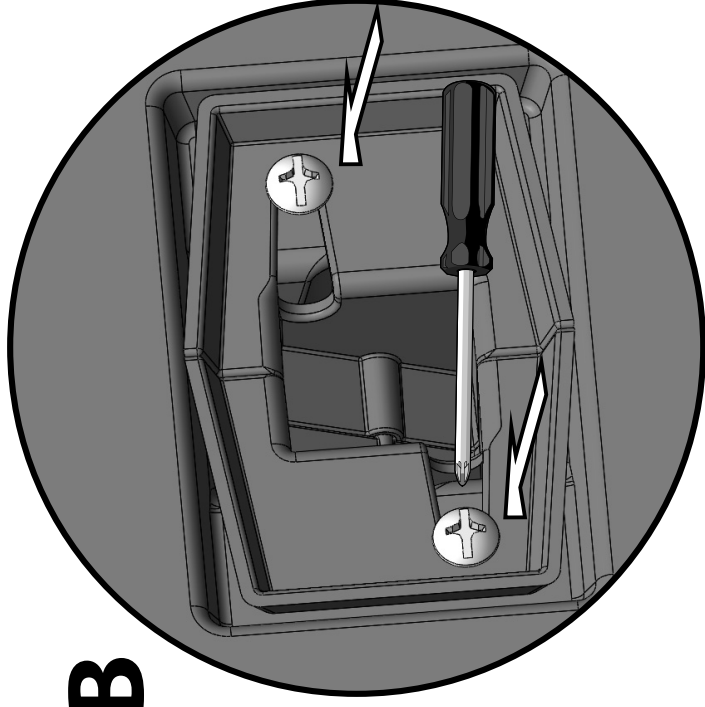
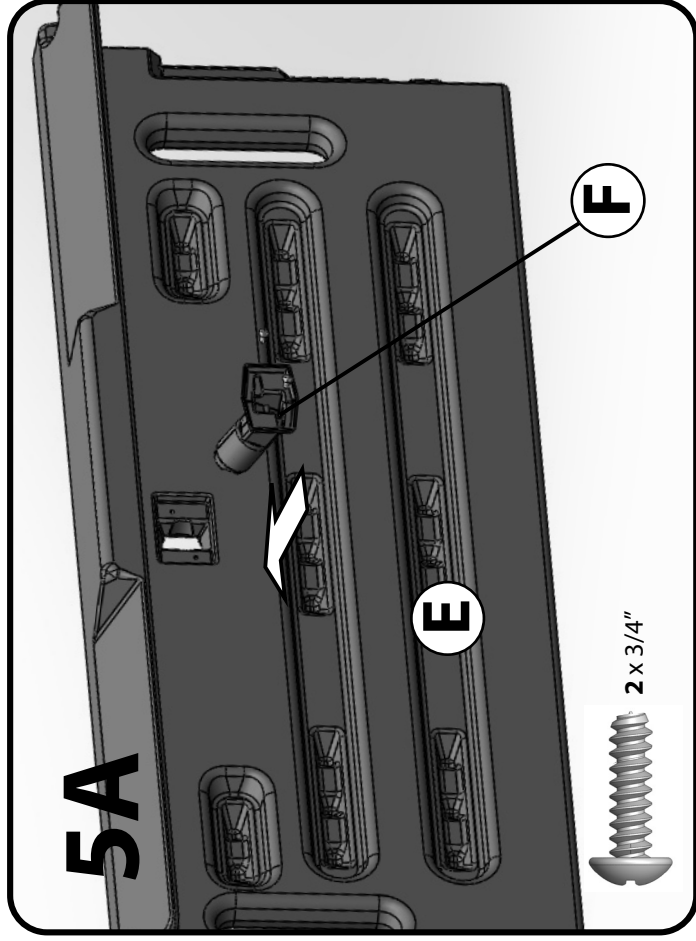
4B

• Turn bed over



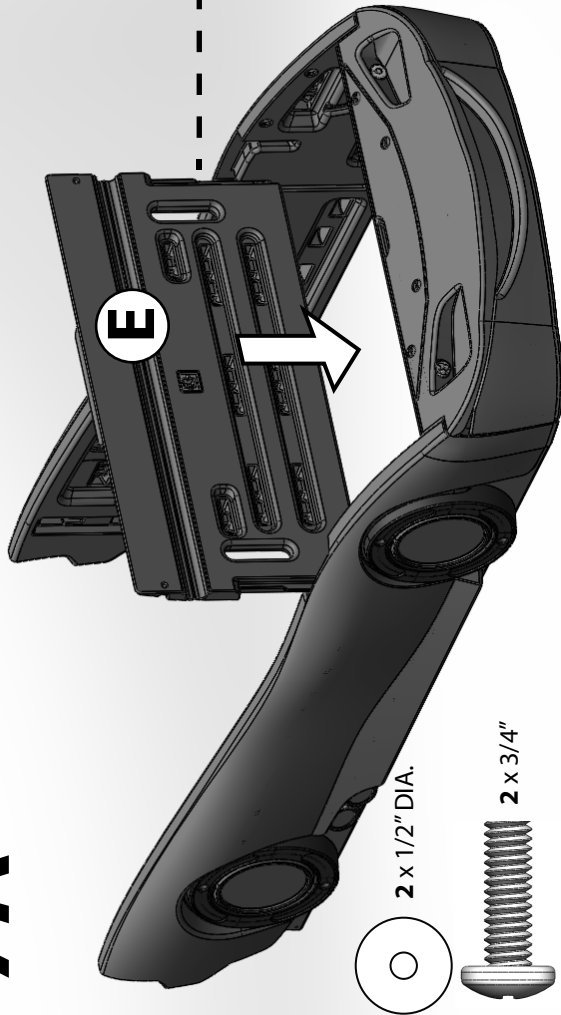
• If assembling twin bed ONLY, skip to step 10

Follow steps 5A through 9 for toddler bed

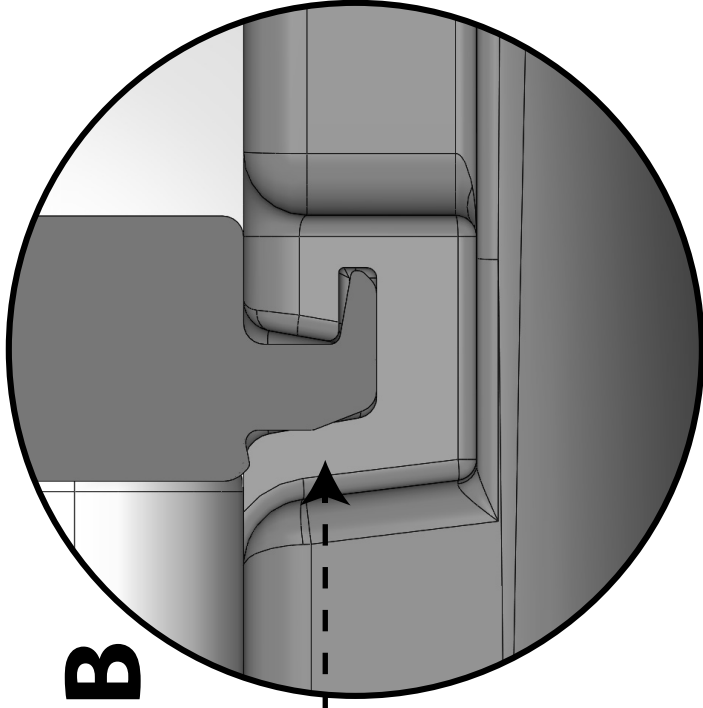


7A

• Align center wall with groove on left and right side panels. Slide down into a fully locked position.

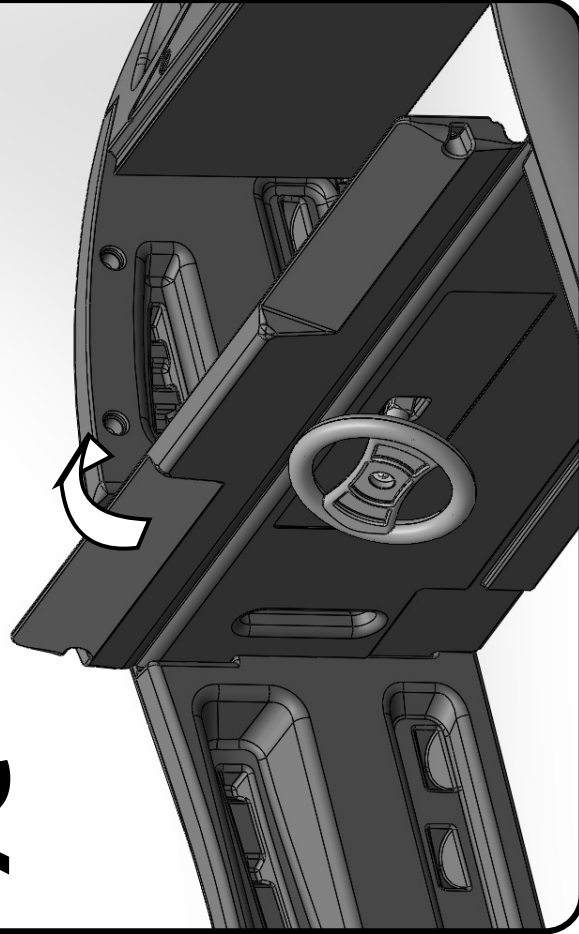


7B



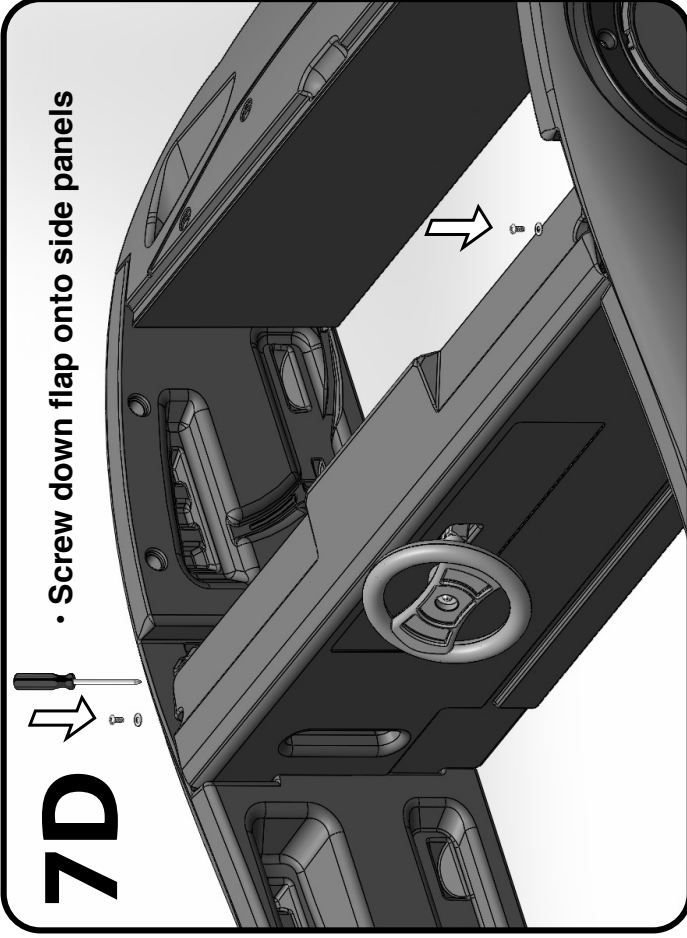
7C

• Fold flap downward towards side panels

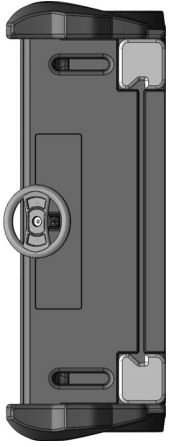


7D

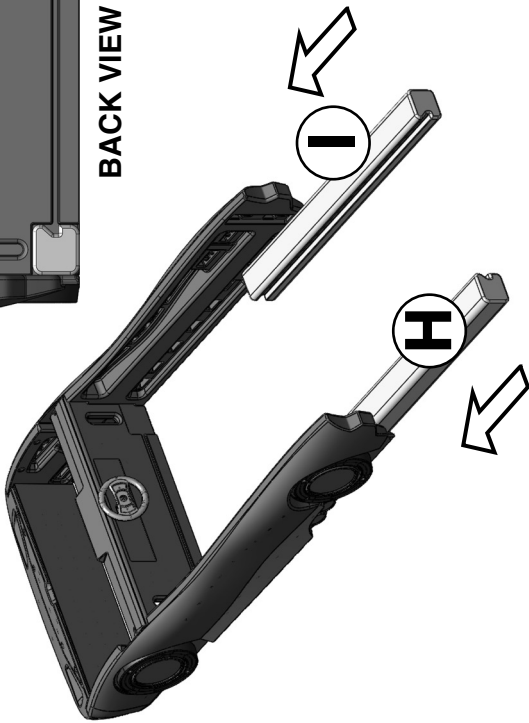
• Screw down flap onto side panels



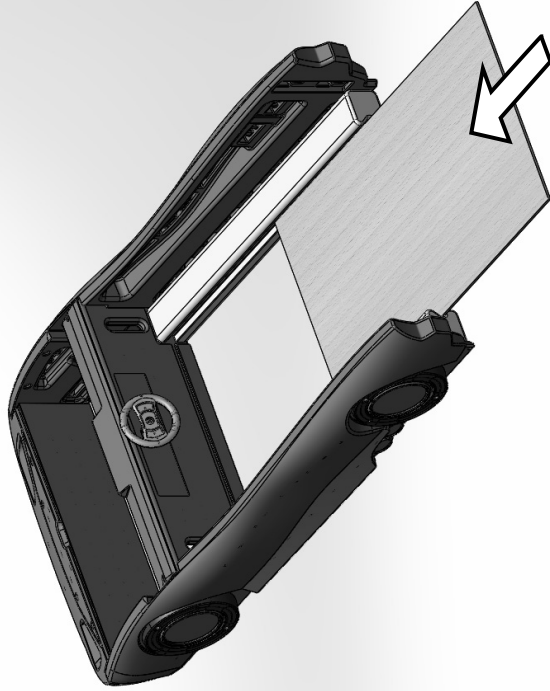
8



BACK VIEW

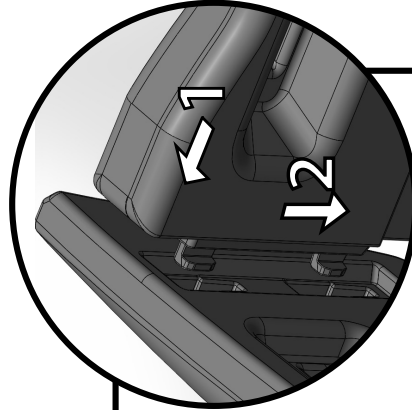


9

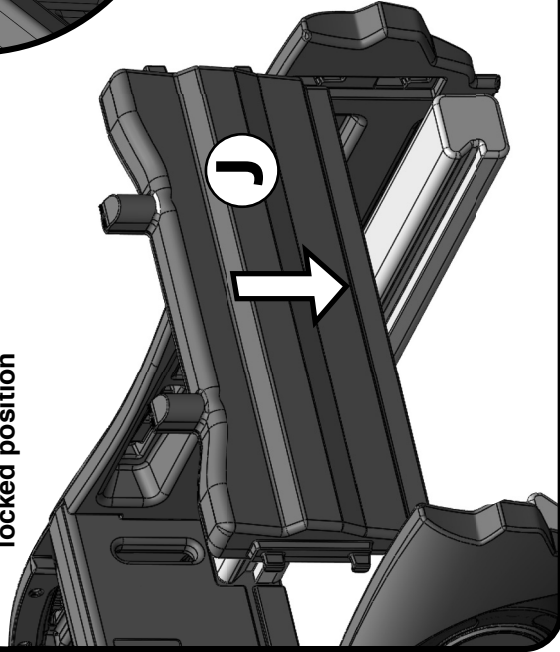


• Optional mattress support board assembly
Dimensions: 53.65"(L) x 30.5"(W) x 0.50" THICK

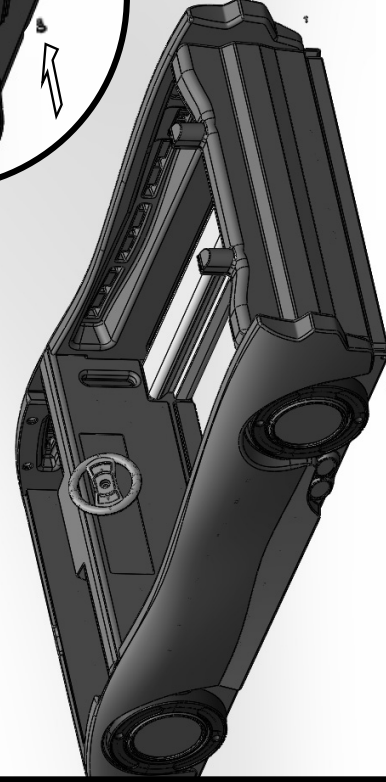
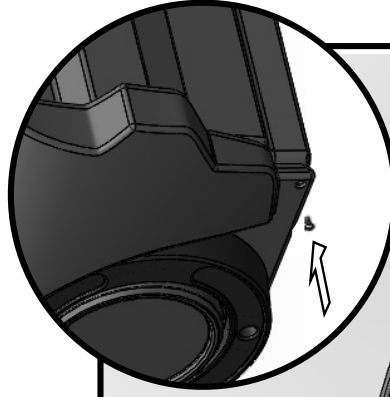
1. Insert back panel latch hooks into both left/right side panel grooves
2. Slide downward into a fully locked position



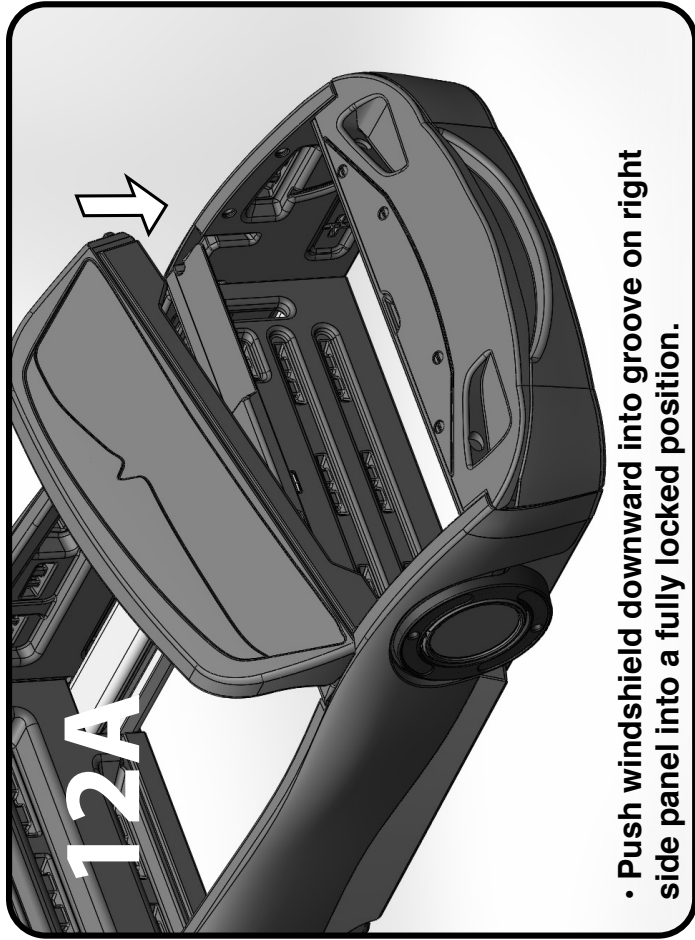
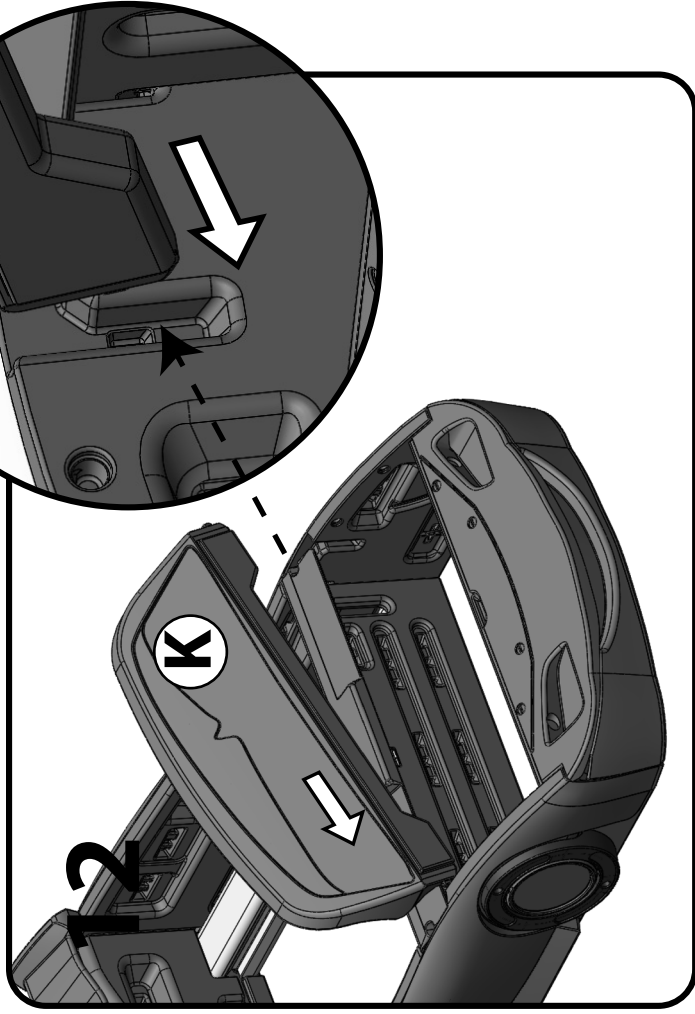
10



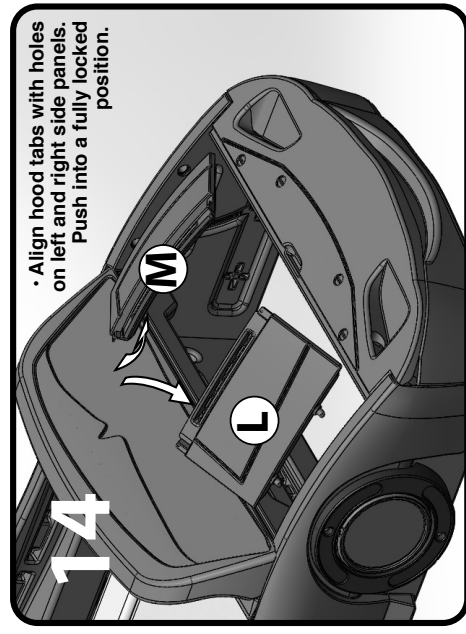
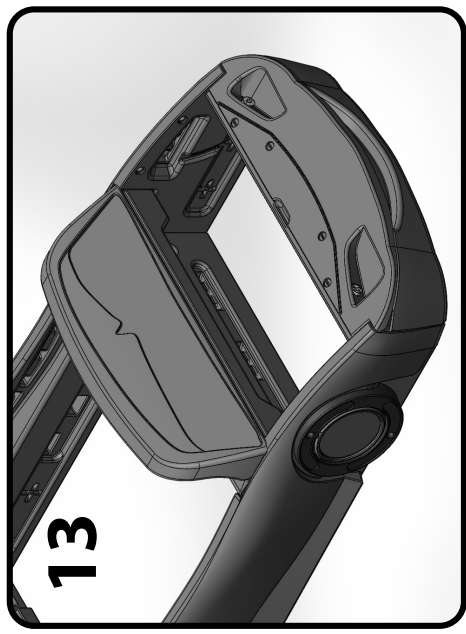
11



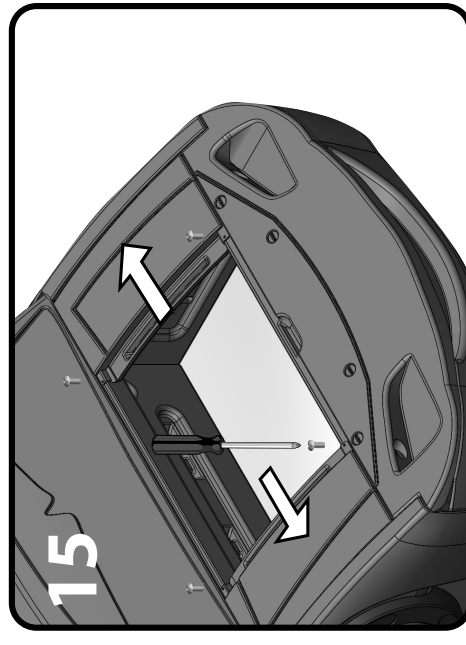
• If only assembling twin bed, skip to 17A

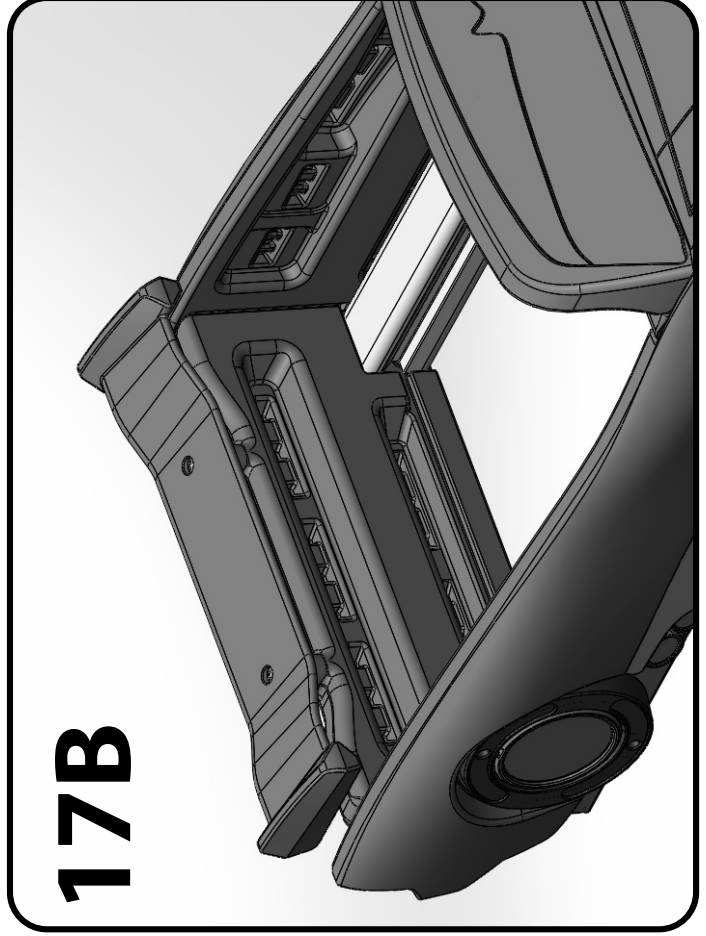
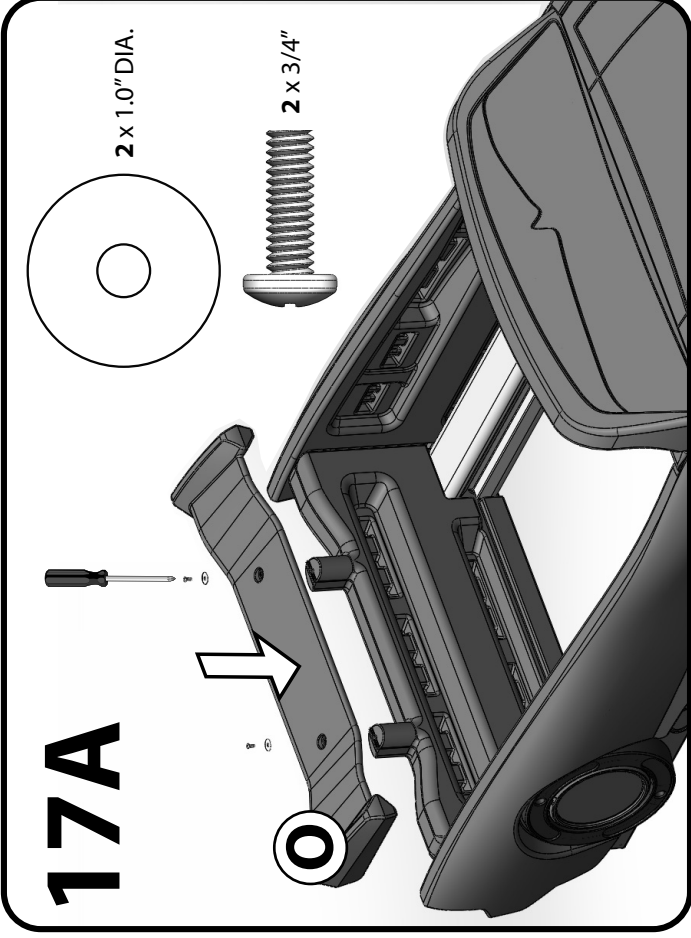
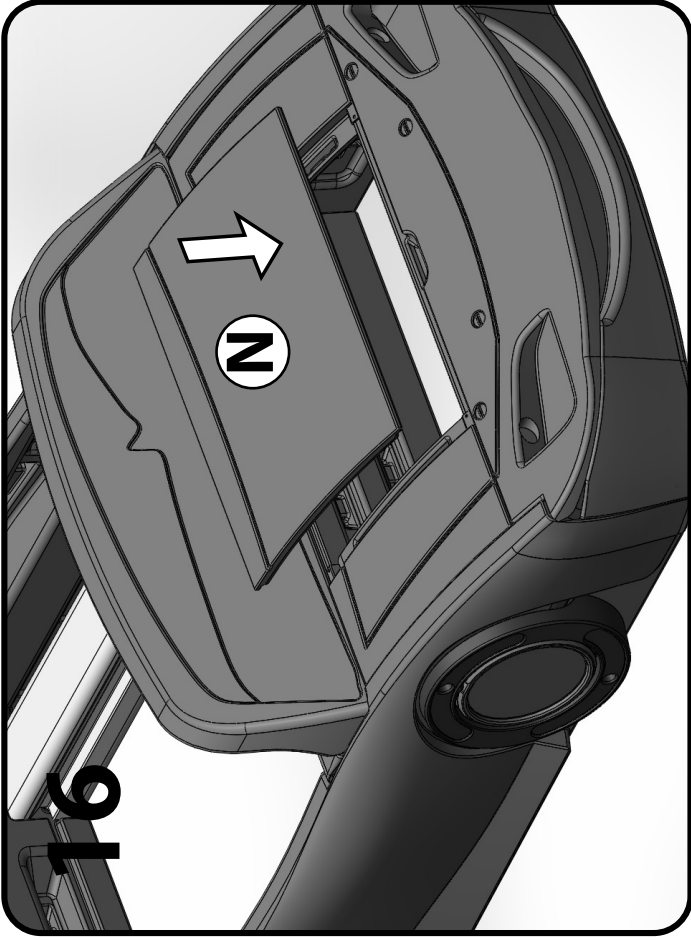


• Push windshield downward into groove on right side panel into a fully locked position.



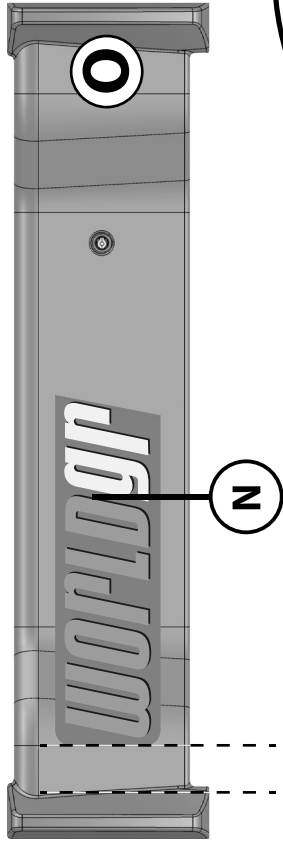
• Align hood tabs with holes on left and right side panels. Push into a fully locked position.





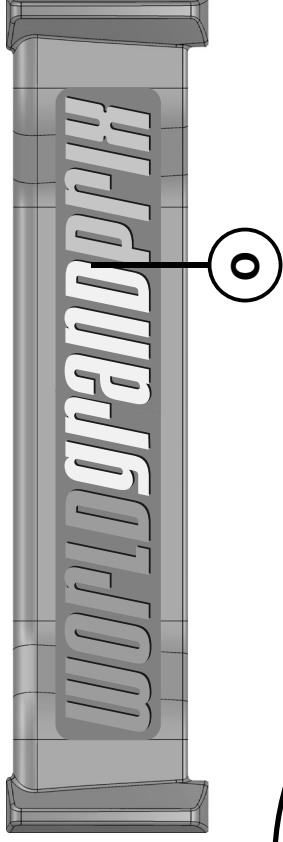
17C

• APPLY "N" STICKER AFTER SPOILER IS FULLY ASSEMBLED

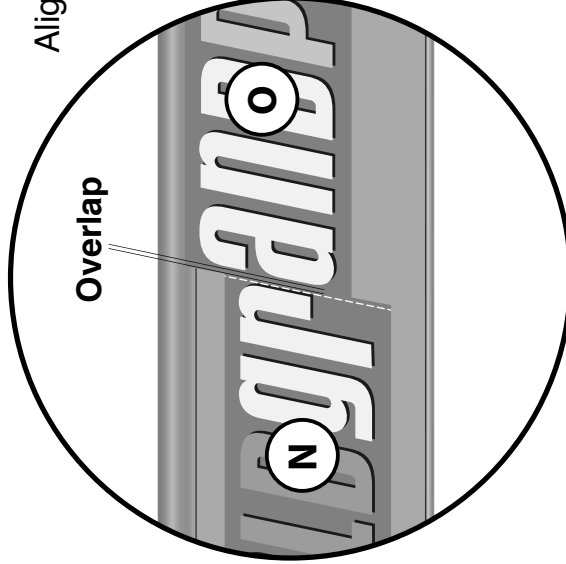


2.50" (approx.) Apply sticker here

• APPLY "O" STICKER AFTER SPOILER IS FULLY ASSEMBLED

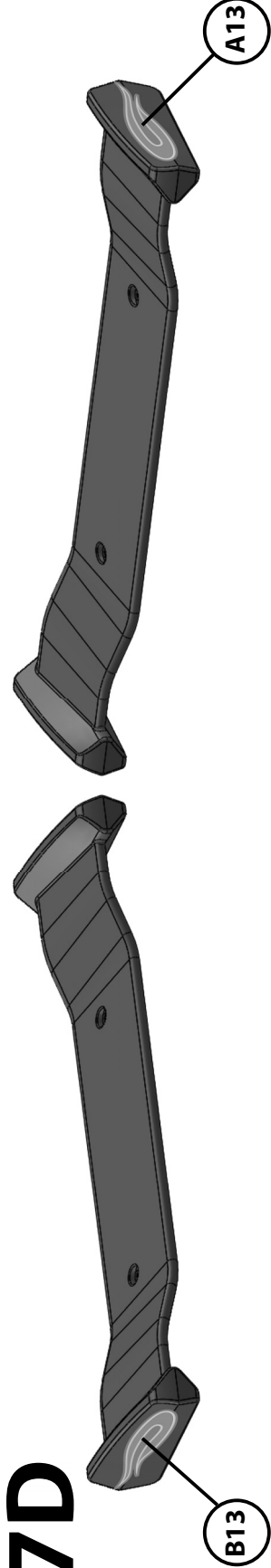


Align O sticker on N along dotted line

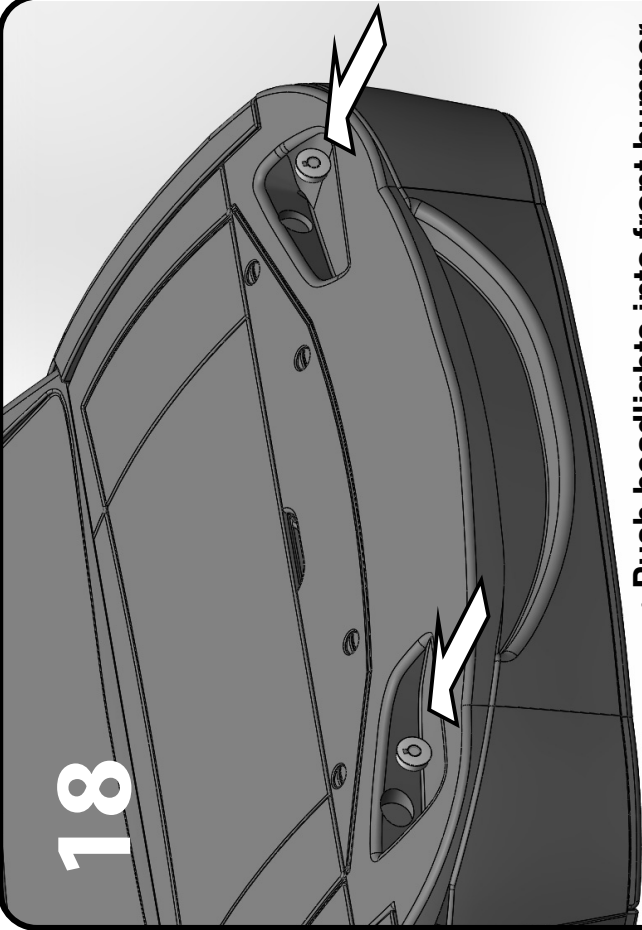


Dotted line located here

17D

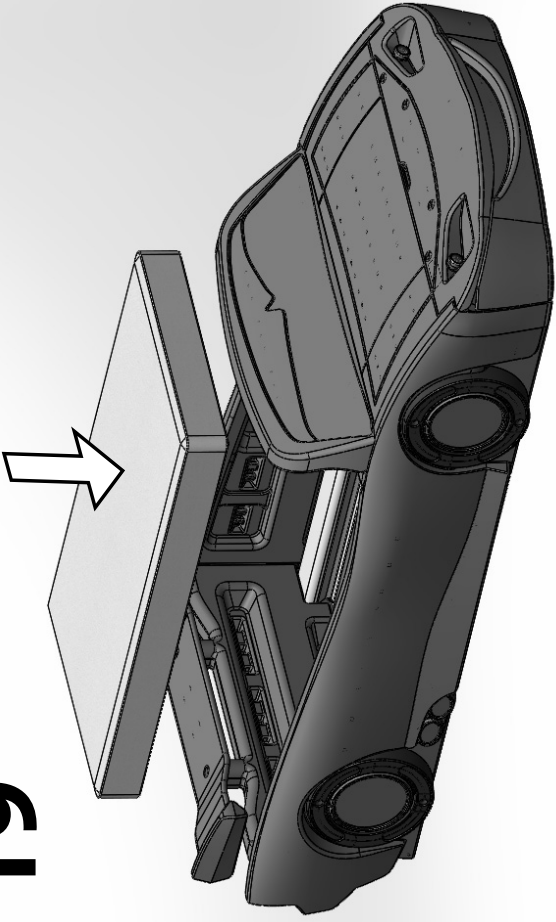


18

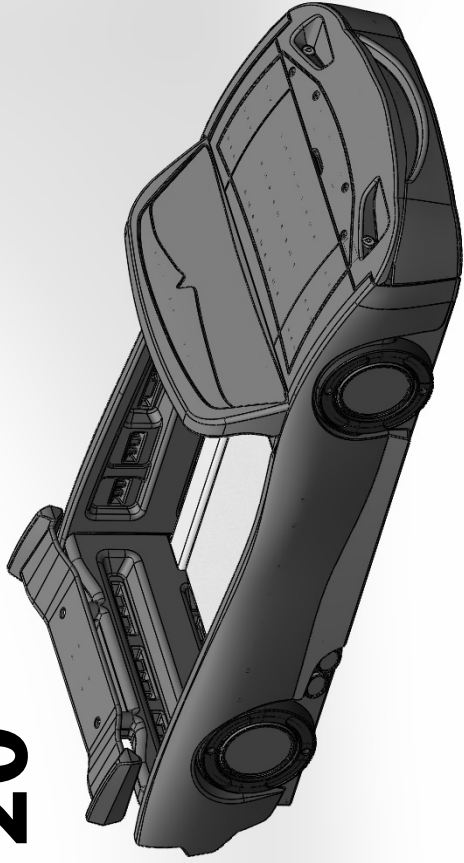


• Push headlights into front bumper

19

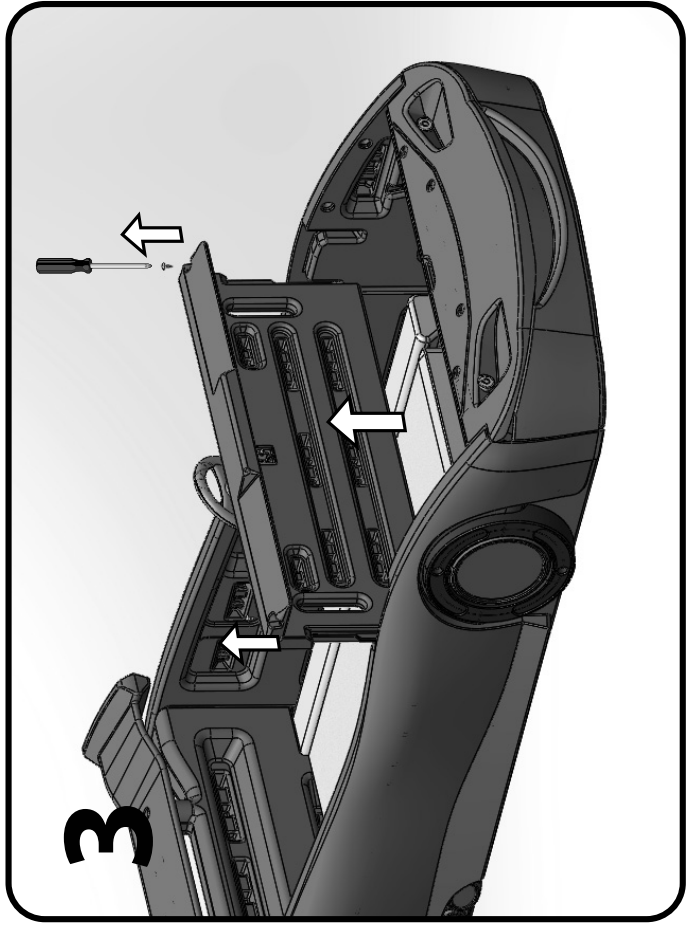
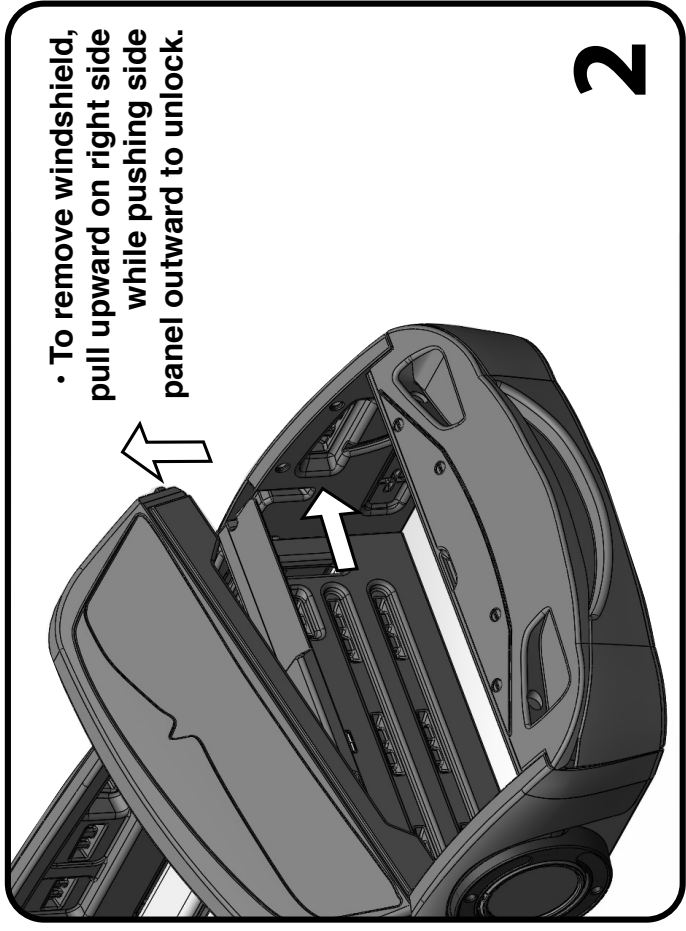
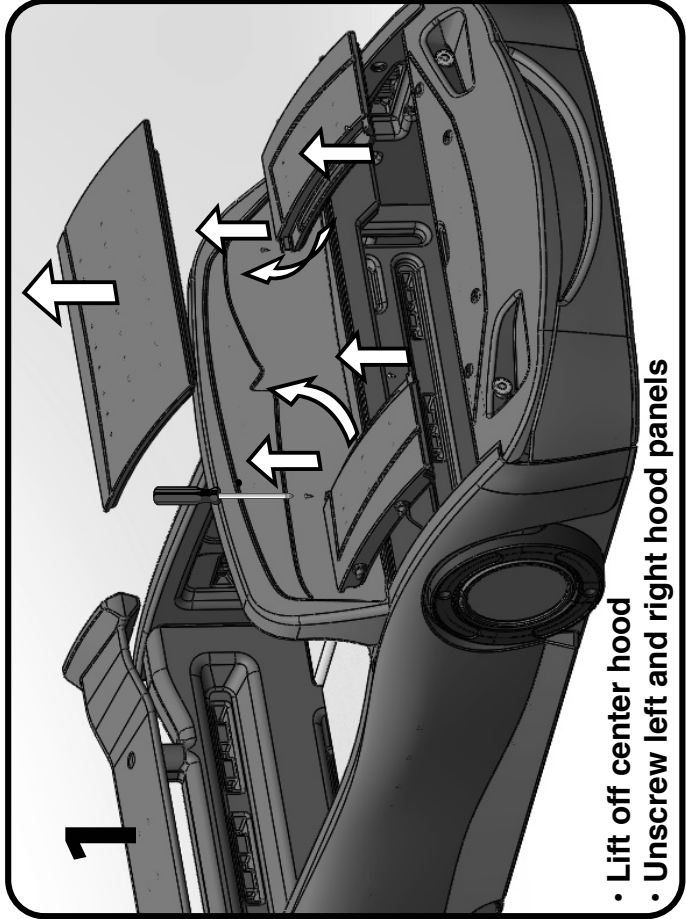


20

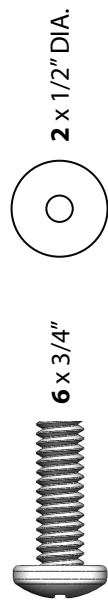


Toddler Bed

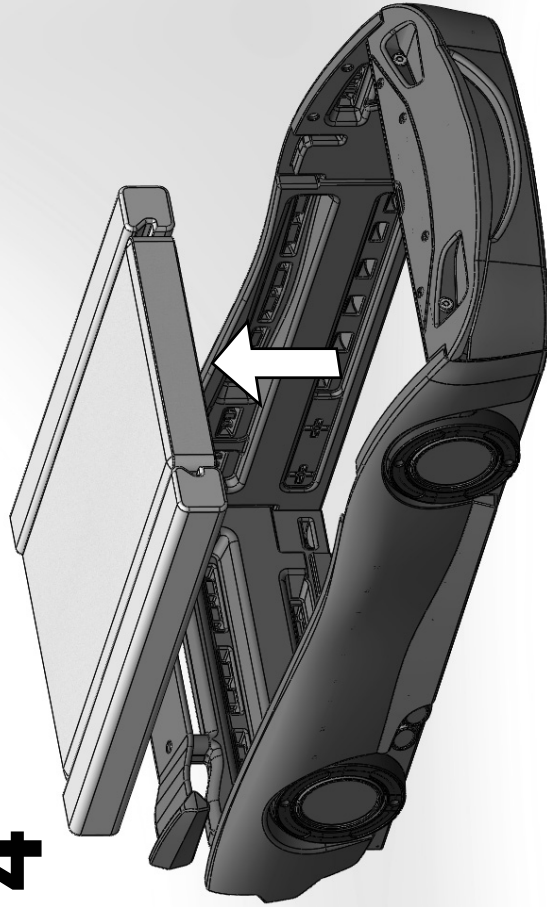
Twin Conversion



• Please keep and store all loose screws in a safe place when converting toddler bed to twin bed. All loose screws will be used to assemble the toy box.



4



• Remove mattress and left/right mattress frames

5

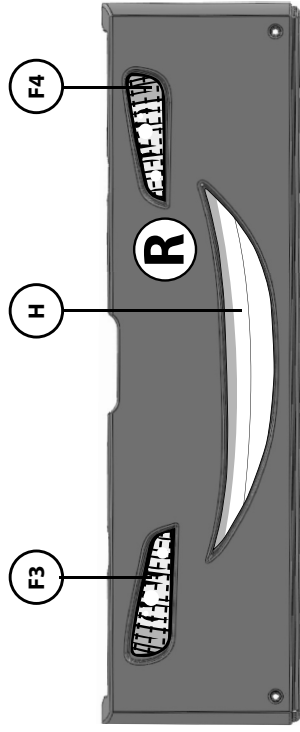


Twin Bed

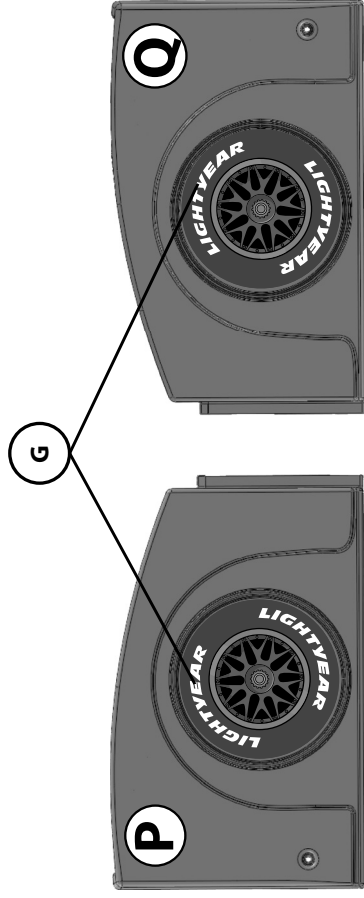
• Works with standard boxspring and twin mattress

Toy Box

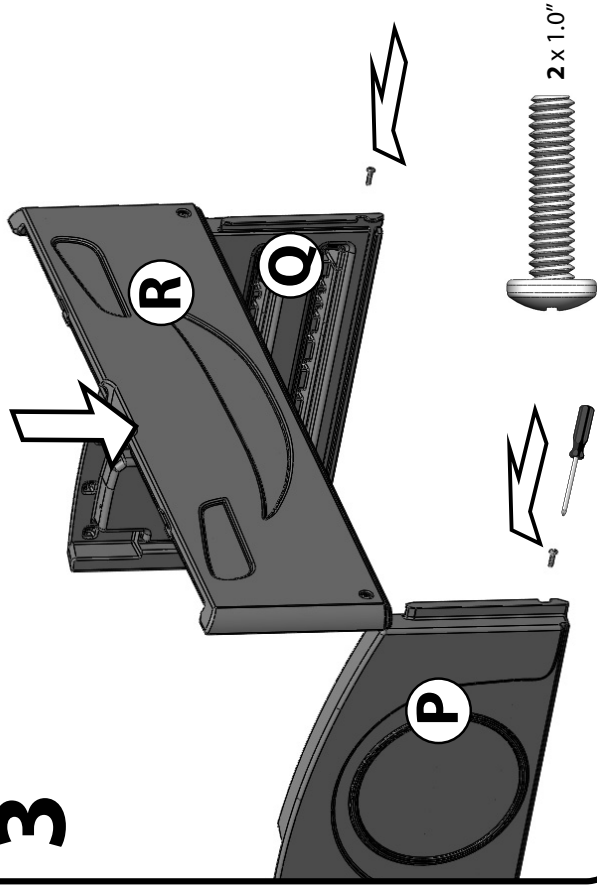
1 • APPLY STICKERS



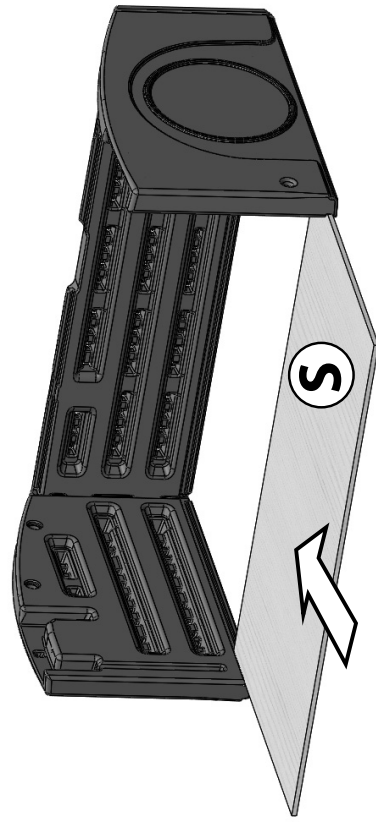
2 • APPLY STICKERS



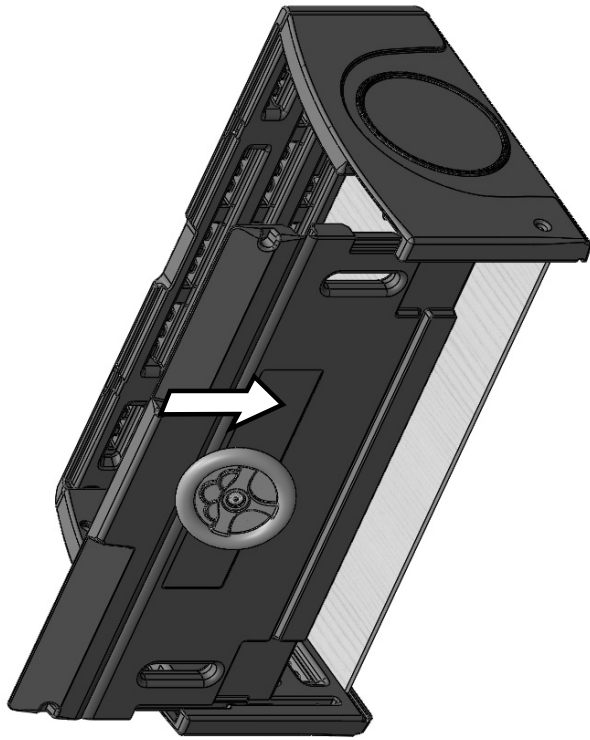
3



4



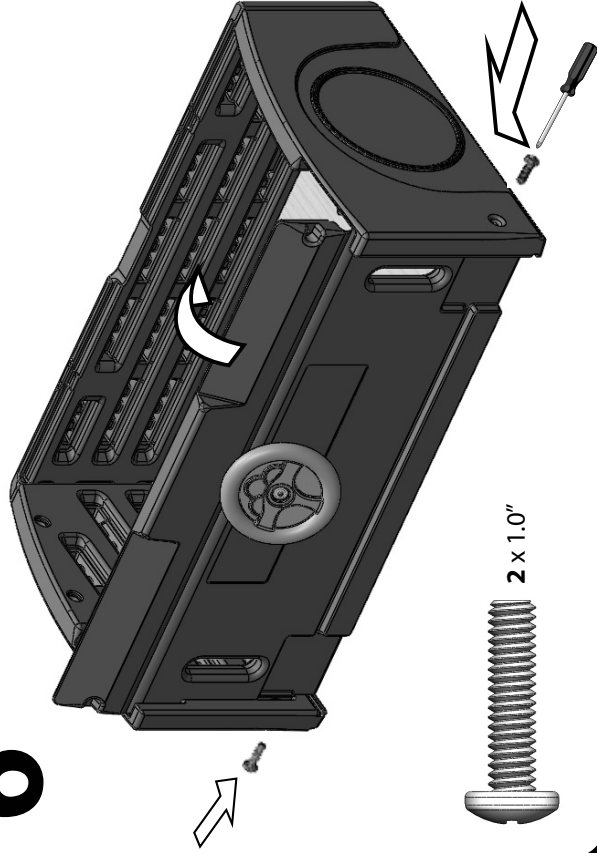
5



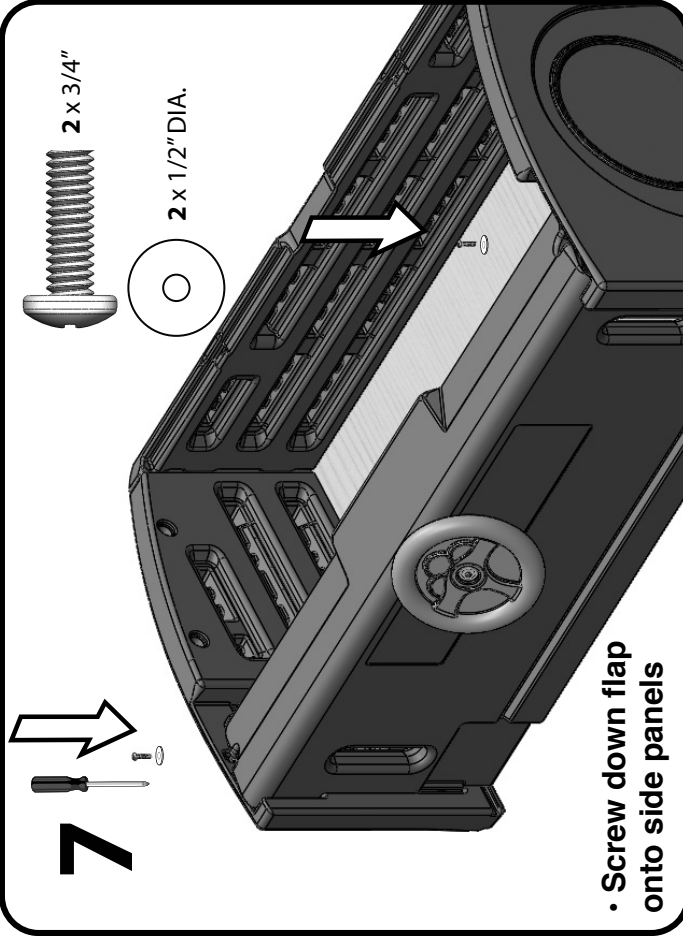
• Align center wall with grooves on left and right side panels of toy box. Slide down into a fully locked position.

6

• Fold flap downward towards side panels.

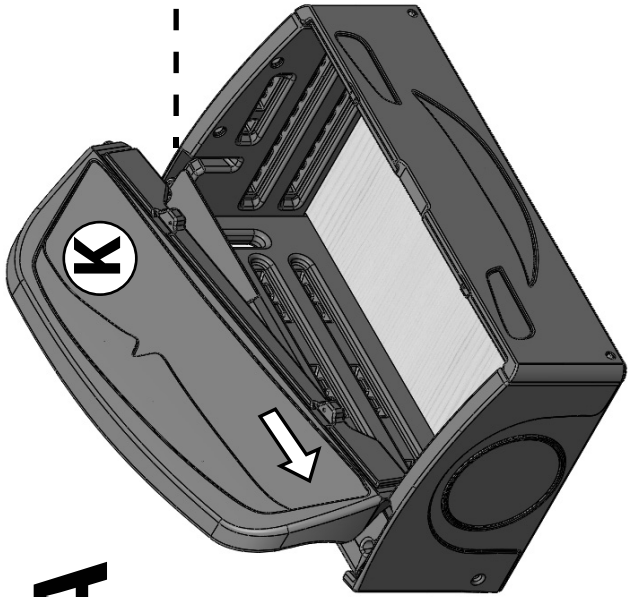


7

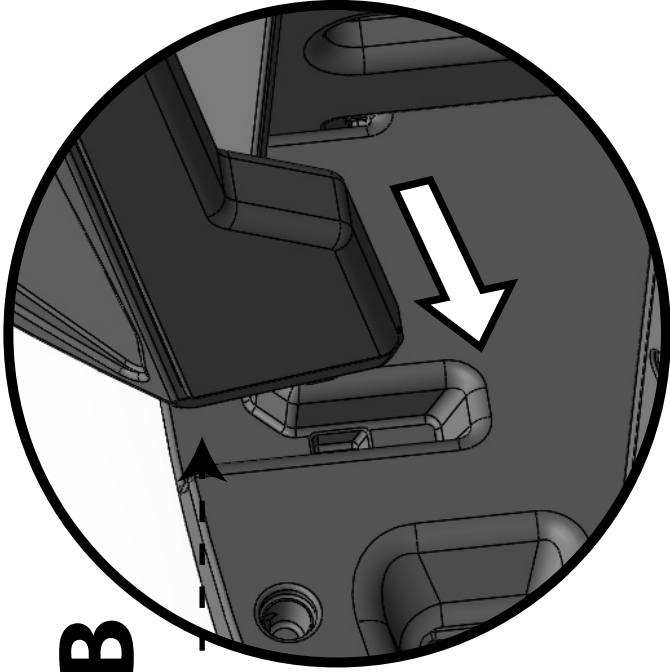


• Screw down flap onto side panels

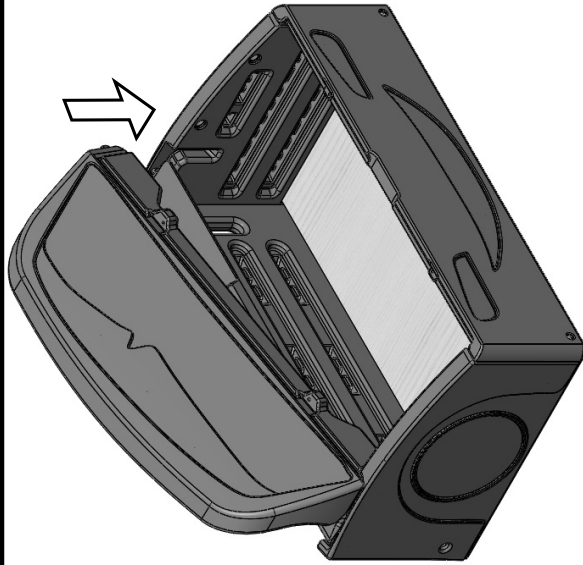
8A



8B

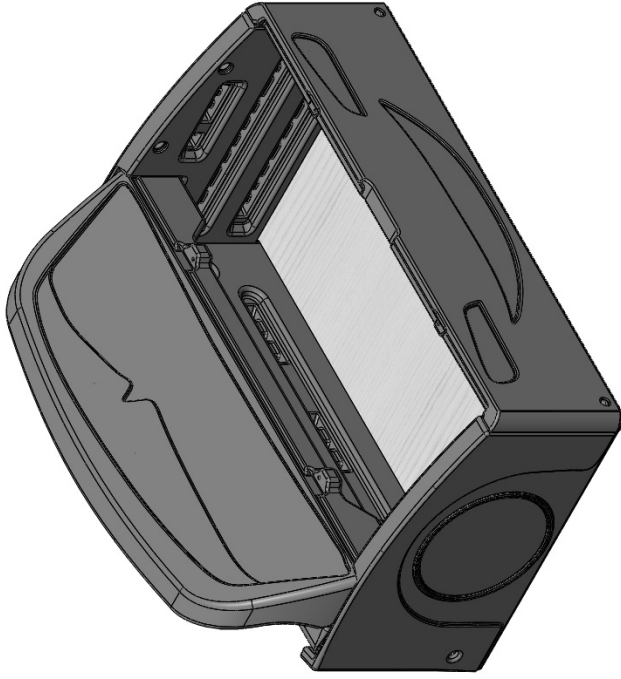


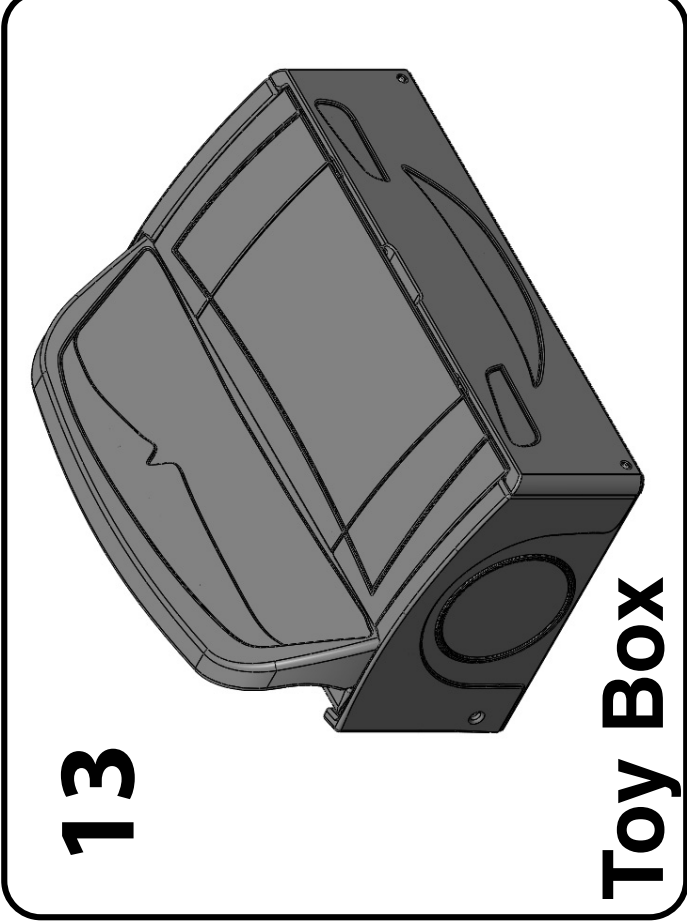
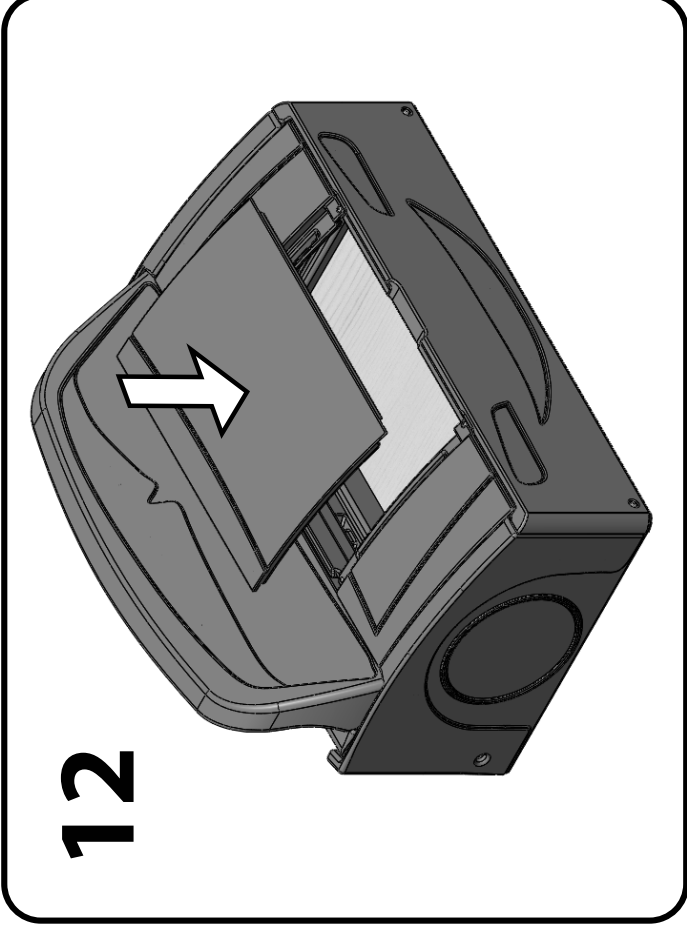
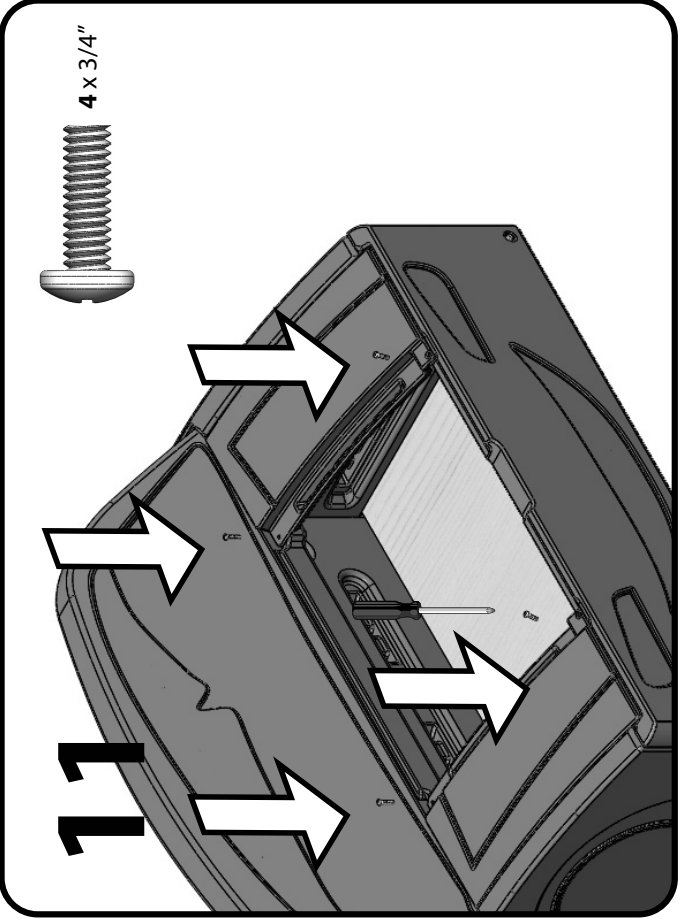
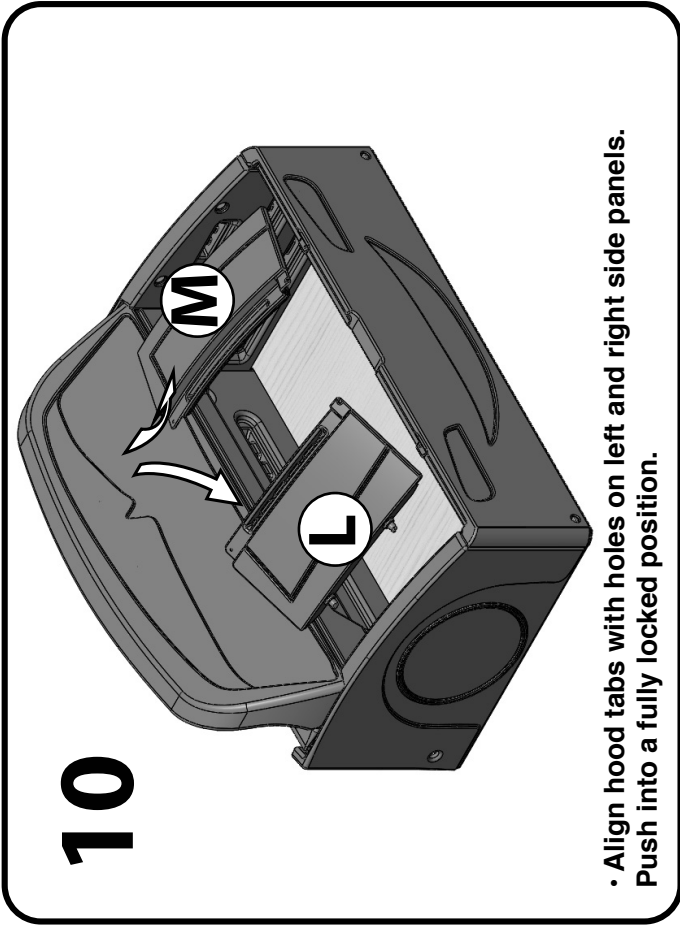
8C



• Push windshield downward into groove on side panel into a fully locked position.

9





TODDLER BED WARNING

▲WARNING

INFANTS HAVE DIED IN TODDLER BEDS FROM ENTRAPMENT.

Openings in and between bed parts can entrap head and neck of a small child. NEVER use bed with children younger than 15 months. ALWAYS follow assembly instructions. The maximum user weight is 50lbs (22.7kg)

▲WARNING

STRANGULATION HAZARD

NEVER place bed near windows where cords from blinds or drapes may strangle a child. NEVER suspend strings over a bed. NEVER place items with a string, cord, or ribbon, such as hood strings or pacifier cords, around a child's neck. These items may catch on bed parts.

▲CAUTION

ENTRAPMENT HAZARD

To avoid dangerous gaps, any mattress used in this bed shall be a full-size crib mattress at least 51 5/8 in (1310mm) in length, 27 1/4 in (690mm) in width and 4 in (100mm) in thickness. Maximum recommended mattress thickness 5 1/2 in.(140 mm). **DO NOT** use this bed without a mattress.

DELTA CHILDREN'S PRODUCTS
114 WEST 26TH STREET
NEW YORK, N.Y. 10001 U.S.A.
PHONE: (212) 645-9033

MANUFACTURED AND DISTRIBUTED BY
DELTA CHILDREN'S PRODUCTS
NEW YORK, NY 10001
MADE IN U.S.A

© Disney/Pixar
Visit the Disney website at disney.com/cars

TODDLER BED WARNING

- Failure to follow these warnings and the assembly instructions could result in serious injury or death.
- The user's maximum weight shall not be greater than 50 LB (22.7 kg).
- Guardrails are used as a mattress containment means. Guardrails provided must be used to avoid the formation of a gap between the mattress and the bed that could cause an entrapment.
- **DO NOT** use for infants. This toddler bed is intended for a child between 15 months and 5 years of age.
- **DO NOT** use a water mattress with this toddler bed.
- Toddler bed must have more than 12 inches of space between the toddler bed and solid objects such as a wall or dresser. Child could slide into small spaces and suffocate.

Assembly

- **IMPORTANT!** Before assembly, inspect toddler bed for damaged hardware, loose joints, missing pieces or sharp edges.
- **BE SURE** bed rails are secure. Bed rails must be attached to headboard on the inside of the post
- **DO NOT** use bed if any parts are missing or damaged.
- **DO NOT** substitute parts.
- If you are without an instruction sheet, **DO NOT** use this product. Call (212) 645-9033 or fax (212) 645-9032.

Care And Maintenance

To clean bed frame and bed rails, use only household soap or detergent and warm water. **NO BLEACH.**

TOY BOX WARNING

▲WARNING:

**TO AVOID RISK OF SUFFOCATION,
DO NOT ALLOW CHILDREN TO PLAY
INSIDE THIS CONTAINER.**