



# MAPLELEAF

## PORCELAIN ON STEEL 5' BATHTUB RAISED OUTLET



### DESCRIPTION:

A premium quality bath. Full length in a raised outlet model (full depth) for above floor installation on concrete floors. One piece construction. Fully bonded support pad. Available in white and bone.

**\* SPECIAL ORDER -**  
Factory minimums apply.

### ORDERING INFORMATION:

<b>011-2670</b>	RH Drain, plain bottom
<b>011-2671</b>	LH Drain, plain bottom
<b>011-2672</b>	RH Drain, slip-resistant bottom
<b>011-2673</b>	LH Drain, slip-resistant bottom

---

BOOTZ INDUSTRIES  
1400 Park Street  
P.O. Box 18010  
Evansville, IN 47719-1010  
Phone: (812) 423-5401 • FAX: (812) 429-2254  
E-Mail: [webmaster@bootz.com](mailto:webmaster@bootz.com)  
Website: <http://www.bootz.com>



**SPECIFICATIONS:**

**Dimensions:**

- Length: 60"
- Width: 30"
- Height: 16 5/8"
- Sump Depth: 13 1/4"
- Tile Flange: 1" high

Material: Acid resistant porcelain on steel

**Shipping Weight:**

Approximately 85 lbs.

**Complies with:**

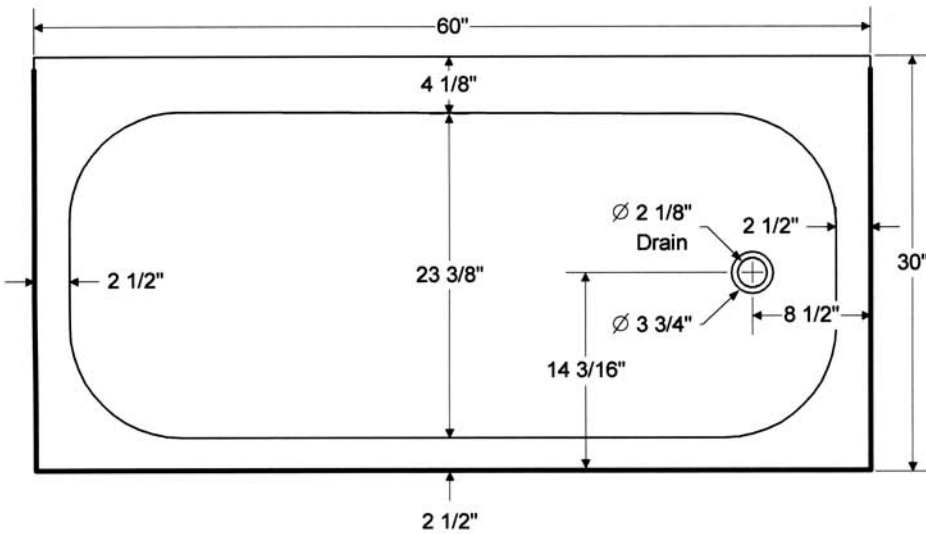
- ANSI A112.19.4M
- WW-P-541
- HUD - FHA - VA - CSA

**Standard Features:**

Modern functional recess design with raised outlet for above floor installation. One piece construction of heavy gauge seamless steel with acid resistant porcelain enamel finish. Straight front and straight tiling edges. The flange is 1" high. Free standing on fully bonded support pad.



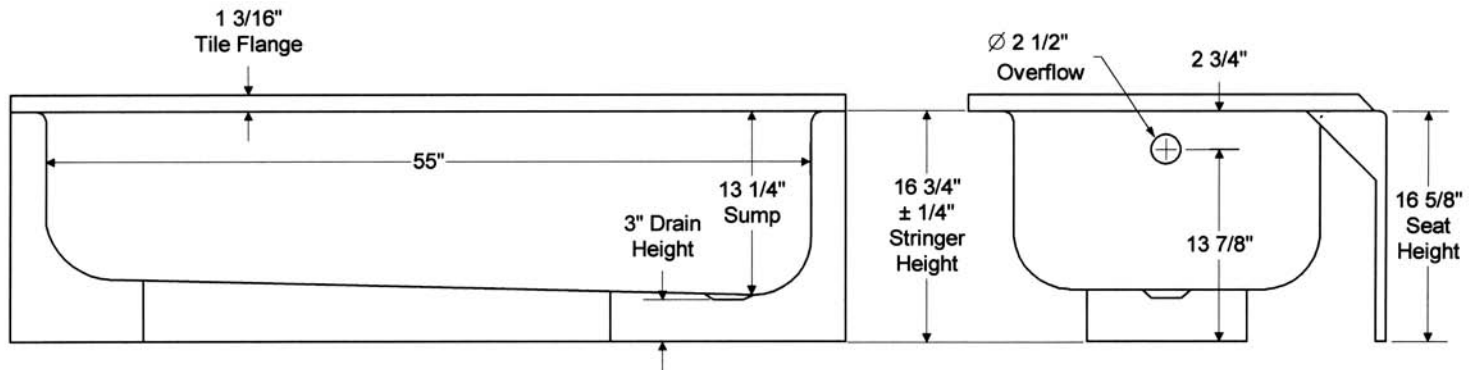
**MAPLELEAF 5' BATHTUB RAISED OUTLET 011-2670, 2671, 2672, 2673**



**Mapleleaf**  
**One Piece 60" X 30"**  
*Raised Outlet Tub*  
**011-2670 RH and**  
**011-2671 LH (pictured)**  
**011-2672 RH SR**  
**011-2673 LH SR**

All Dimensions ± 1/8" unless otherwise noted.

011-2671.vsd



Dimensions shown are for reference. Actual dimensions may vary slightly and should be checked prior to installation.



**BOOTZ INDUSTRIES**  
 1400 Park Street  
 P.O. Box 18010  
 Evansville, IN 47719-1010  
 Phone: (812) 423-5401 • FAX: (812) 429-2254  
 E-Mail: webmaster@bootz.com  
 Website: http://www.bootz.com

