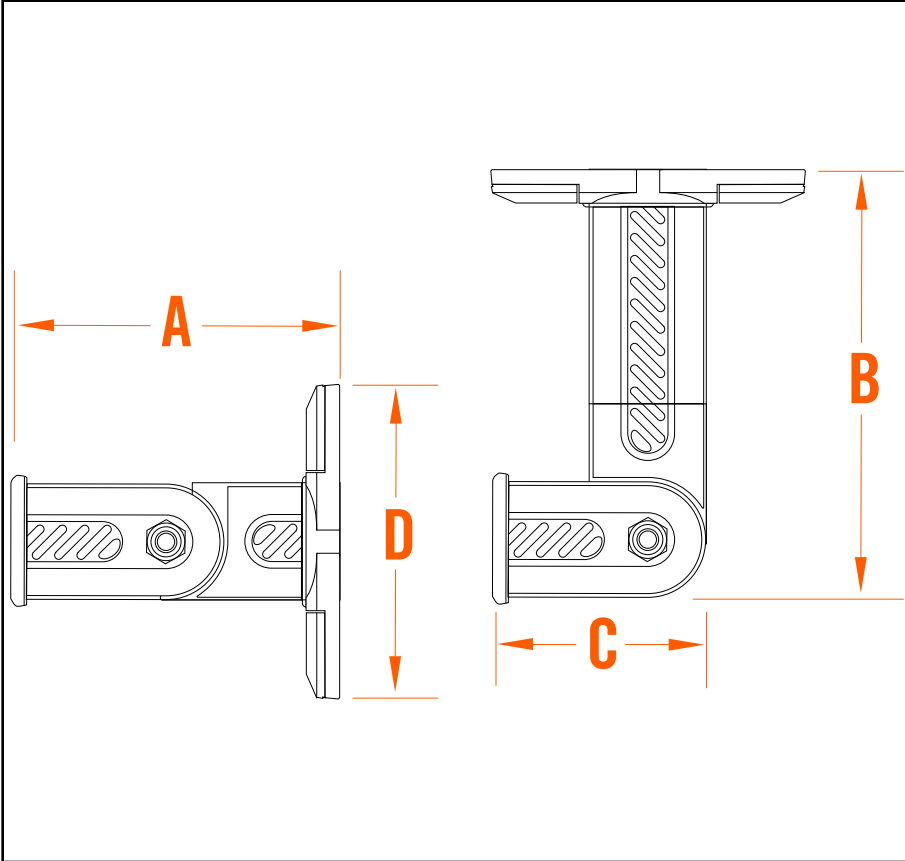




# AB2

8.0 lbs. BOOKSHELF AUDIO MOUNT



### TECHNICAL SPECIFICATIONS

A	3.62"	9.20 cm
B	2.64"	6.70 cm
C	2.36"	6.00 cm
D	3.62"	9.20 cm



#### Bookshelf audio mount

- Maximum flexibility: 360° base rotation  
180° pan, +/-30° tilt
- Wall or ceiling mount
- Glass reinforced nylon construction
- Includes ceiling extensions
- Suitable for all-weather use
- Sold as singles or 5 pack (AB2 HTS)
- Includes complete mounting hardware kit
- Available in Black and White
- 8.0 lb. (3.6 kg) max weight capacity
- 0.5 lbs (0.23 kg) shipping weight