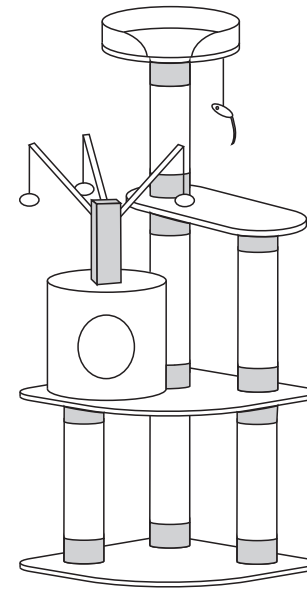


**PLEASE NOTE:** IT WILL BE BEST TO SORT AND GROUP ALL THE SAME SIZE POSTS ACCORDING TO THEIR LENGTH AND DIFFERENT PARTS TOGETHER PRIOR TO INSTALLATION

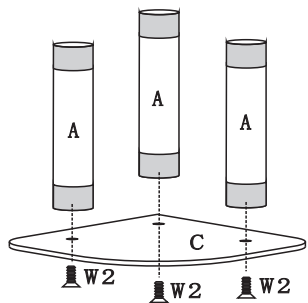
F-214



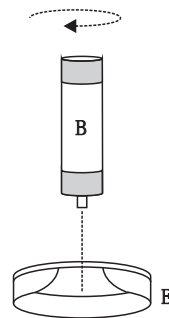
<b>A</b>  $\varnothing 3" * 19.7"$ <b>5pcs</b>	<b>B</b>  $\varnothing 3" * 15.7"$ <b>1pc</b>	<b>C</b> 21"*21"  <b>1pc</b>
<b>D</b> 21"*21"  <b>1pc</b>	<b>E</b> $\varnothing 13" * H2.8"$  <b>1pc</b>	<b>F</b> $\varnothing 10" * H12"$  <b>1pc</b>
<b>G</b>  <b>1pc</b>	<b>H</b> 19"*8"  <b>1pc</b>	



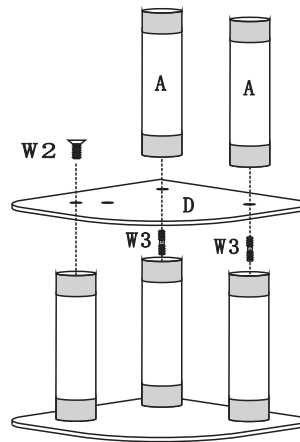
		<b>1pc</b>
	<b>W1</b> $\varnothing 0.31" * 1.37"$	<b>1pc</b>
	<b>W2</b> $\varnothing 0.31" * 1.57"$	<b>6pcs</b>
	<b>W3</b> $\varnothing 0.31" * 3.1"$	<b>3pcs</b>



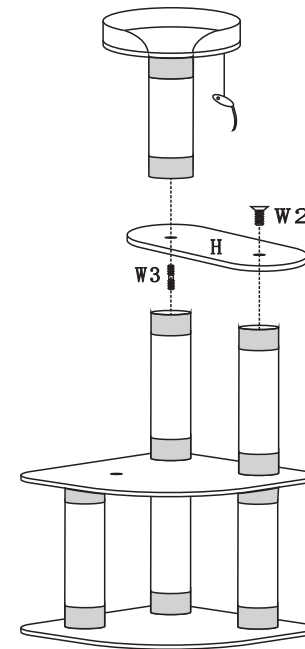
step 1



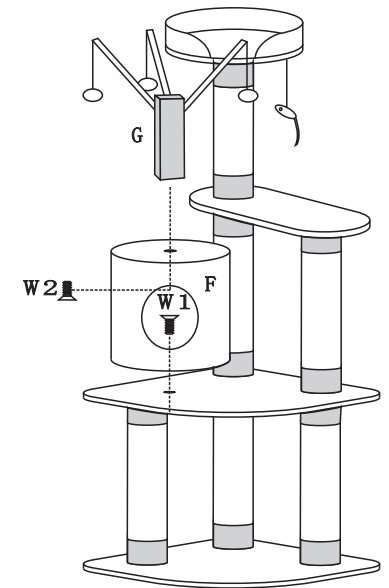
step 2



step 3



step 4



step 5