

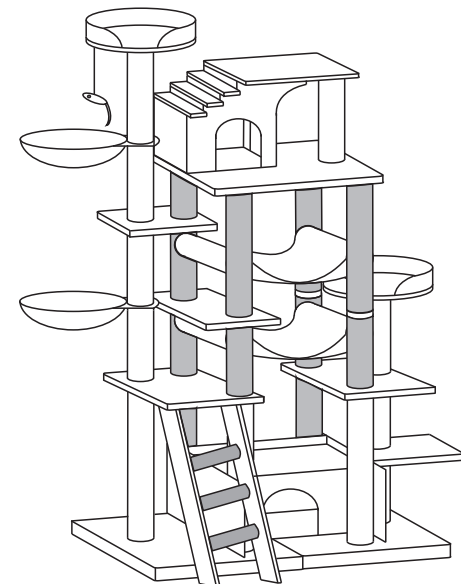
PLEASE NOTE: IT WILL BE BEST TO SORT AND GROUP ALL THE SAME SIZE POSTS ACCORDING TO THEIR LENGTH AND DIFFERENT PARTS TOGETHER PRIOR TO INSTALLATION

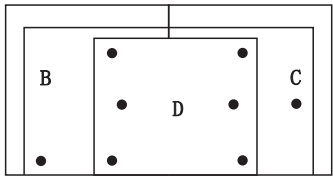


A1 ∅3"*23.6" 3pcs	A2 ∅3"*23.6" 2pcs	A3 ∅3"*10" 1pc	A4 ∅3"*13" 2pcs
A5 ∅3"*11.8" 2pcs	A6 ∅3"*11.8" 3pcs	A7 ∅3"*21.6" 2pcs	A8 ∅3"*21.6" 1pc
A9 ∅3"*13" 1pc	A10 ∅3"*12" 3pcs	A11 ∅3"*12" 1pc	A12 ∅3"*13" 4pcs
A13 ∅3"*9.4" 1pc	A14 ∅2"*7.5" 3pcs	B 23"*21" 1pc	C 23"*21" 1pc
D 22"*20" 1pc	E 22"*19"*H14.5" 1pc	F 15.5"*11.5" 1pc	G 20"*15.5" 1pc
H 20"*11.5" 1pc	I 20"*9.5" 1pc	J 17.5"*9.5" 1pc	K 23"*21" 1pc
L ∅12" 2pcs	M 2pcs	N ∅3" 2pcs	O ∅13"*H2.8" 1pc
P ∅13"*H2.8" 1pc	Q 13"*13"*H13" 1pc	R 1pc	

		1pc
		1pc
	∅0.31"*1.77"	2pcs
	∅0.31"*1.57"	13pcs
	∅0.31"*3.1"	15pcs
	∅0.31"*2.36"	8pcs
	∅0.31"*1.38"	1pc
	∅0.23"*0.63"	4pcs
		2pcs

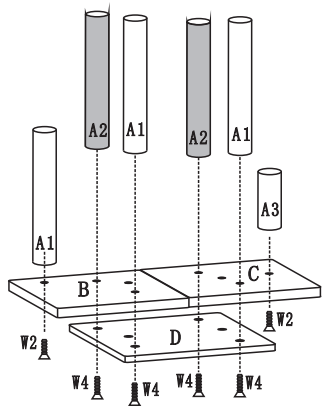
F-2090



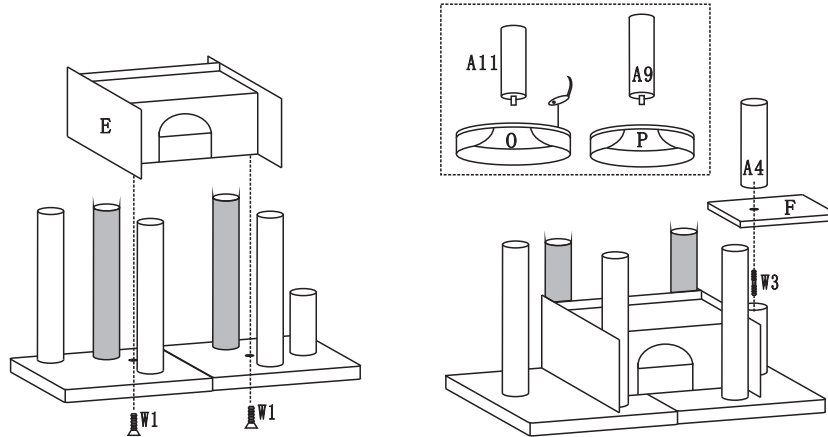


base board assembling drawing

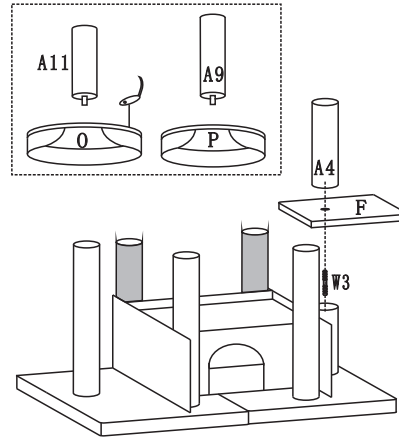
PLEASE NOTE: IT WILL BE BEST TO SORT AND GROUP ALL THE SAME SIZE POSTS ACCORDING TO THEIR LENGTH AND DIFFERENT PARTS TOGETHER PRIOR TO INSTALLATION



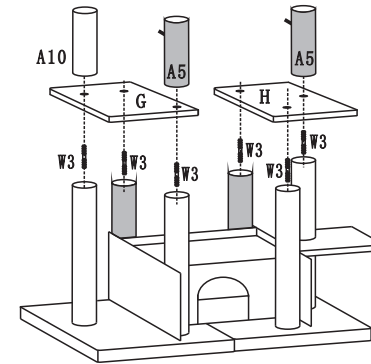
step 1



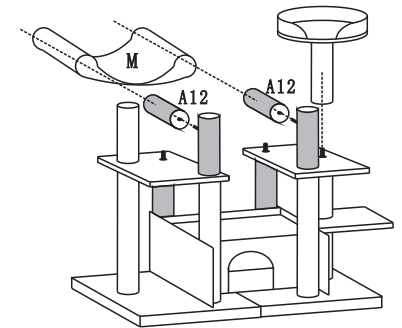
step 2



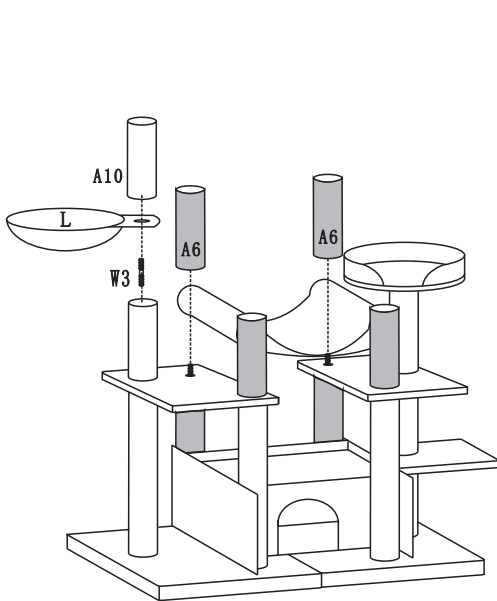
step 3



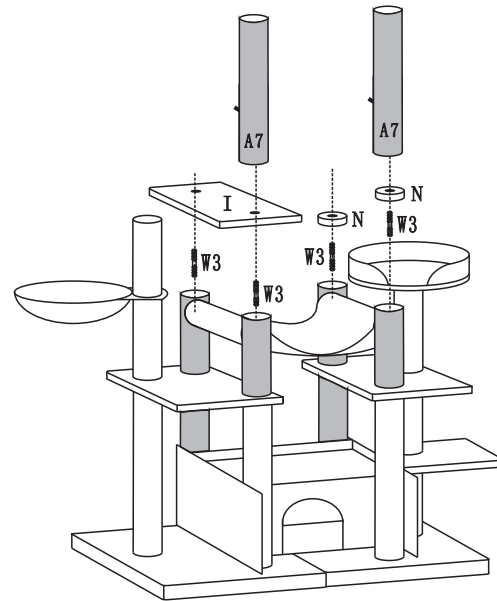
step 4



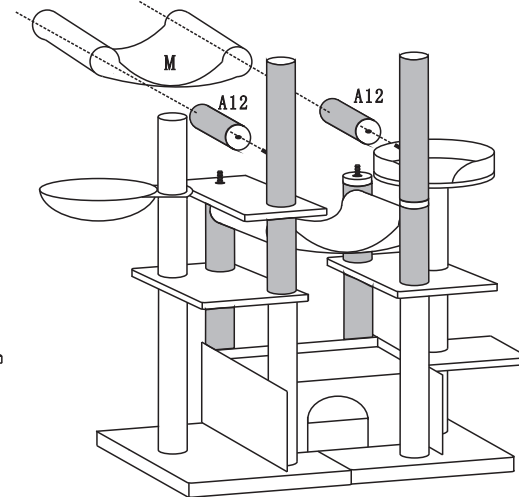
step 5



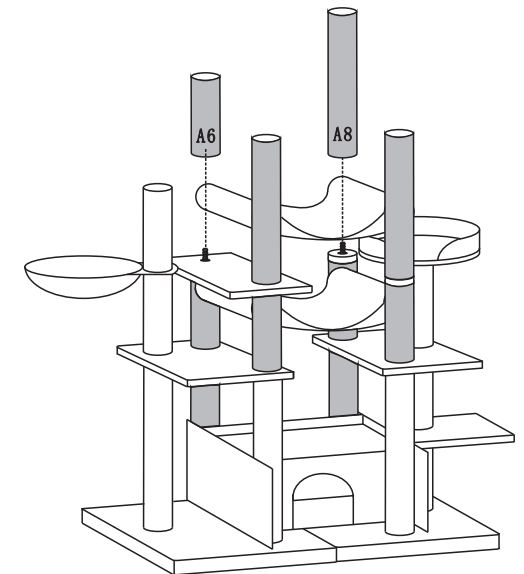
step 6



step 7



step 8



step 9