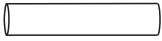
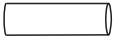
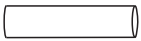
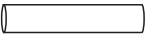
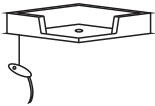
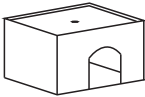
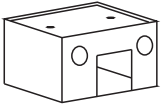
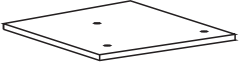
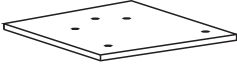








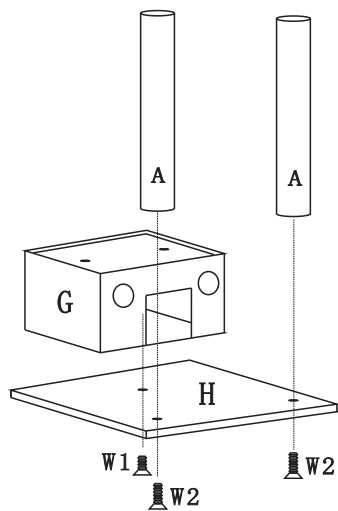
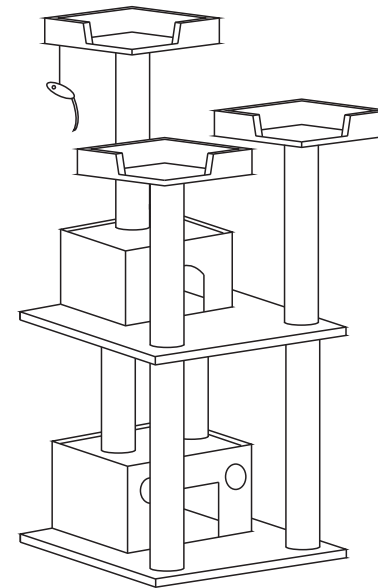
PLEASE NOTE: IT WILL BE BEST TO SORT AND GROUP ALL THE SAME SIZE POSTS ACCORDING TO THEIR LENGTH AND DIFFERENT PARTS TOGETHER PRIOR TO INSTALLATION

F-39

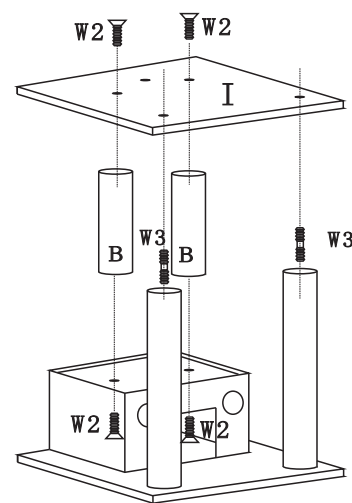


<p>A</p> <p>∅3"*20.5"</p>  <p>2pcs</p>	<p>B</p> <p>∅3"*10.2"</p>  <p>2pcs</p>	<p>C</p> <p>∅3"*15.7"</p>  <p>2pcs</p>
<p>D</p> <p>∅3"*17"</p>  <p>1pc</p>	<p>E</p> <p>13"*13"*H2"</p>  <p>1pc</p>	<p>F</p> <p>13.5"*10"*H11"</p>  <p>1pc</p>
<p>G</p> <p>16"*12"*H11"</p>  <p>1pc</p>	<p>H</p> <p>23"*19"</p>  <p>1pc</p>	<p>I</p> <p>23"*19"</p>  <p>1pc</p>
<p>J</p> <p>13"*13"*H2"</p>  <p>2pcs</p>		

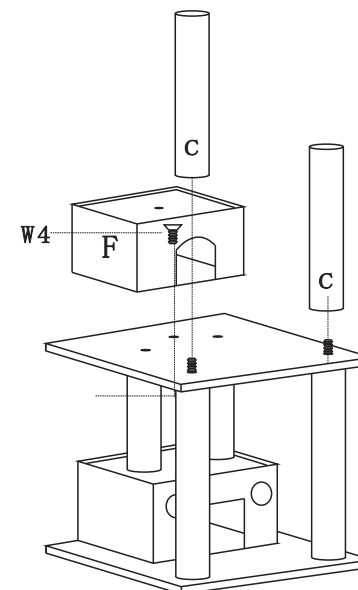
		1pc
 <p>W1</p>	<p>∅ 0.31"*1.1"</p>	1pc
 <p>W2</p>	<p>∅ 0.31"*1.57"</p>	10pcs
 <p>W3</p>	<p>∅ 0.31"*3.1"</p>	2pcs
 <p>W4</p>	<p>∅ 0.31"*1.37"</p>	1pc



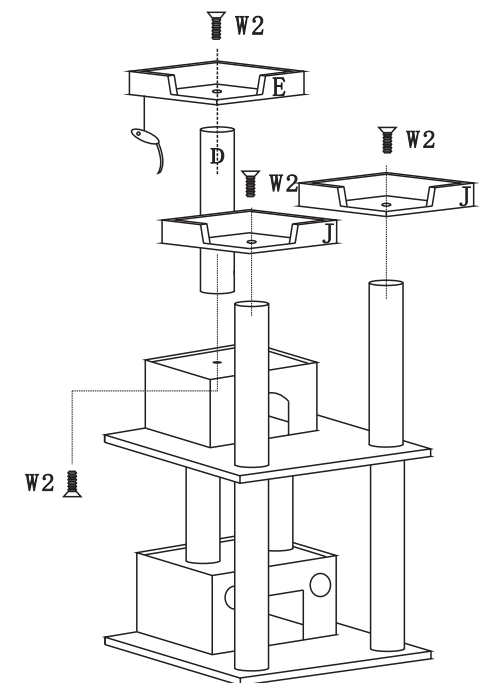
step 1



step 2



step 3



step 4