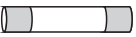

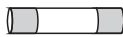
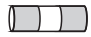



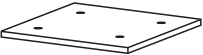
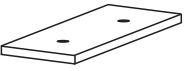
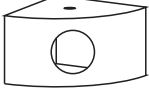

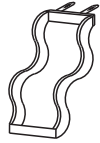
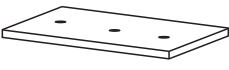


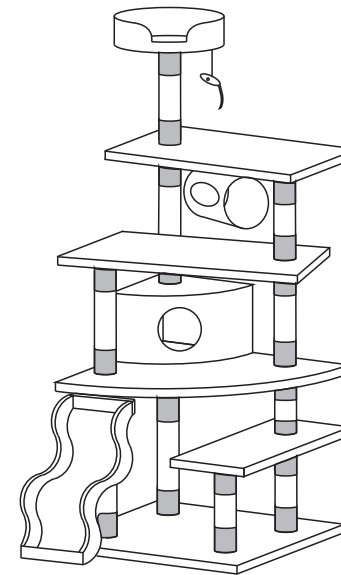
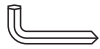



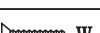
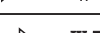


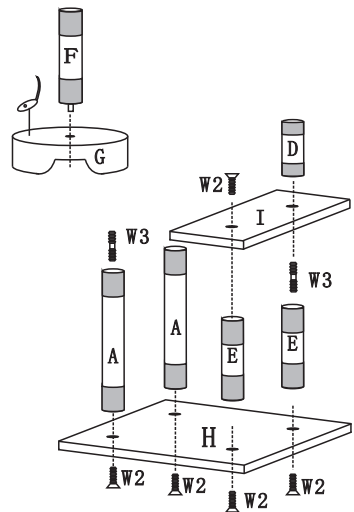
PLEASE NOTE: IT WILL BE BEST TO SORT AND GROUP ALL THE SAME SIZE POSTS ACCORDING TO THEIR LENGTH AND DIFFERENT PARTS TOGETHER PRIOR TO INSTALLATION

A ∅3"*20.5"  2pcs	B ∅3"*15"  2pcs	C ∅3"*17"  1pc	D ∅3"*8"  1pc
E ∅3"*11.8"  3pcs	F ∅3"*17"  1pc	G ∅13.5"*H4.5"  1pc	H 23"*23"  1pc
I 23"*11.5"  1pc	J 13.5"*13.5"*H10.5"  1pc	K 27"*11.5"  1pc	L  1pc
M 23"*11.5"  1pc	N ∅8.5"*9.5"  1pc	O 23"*23"  1pc	

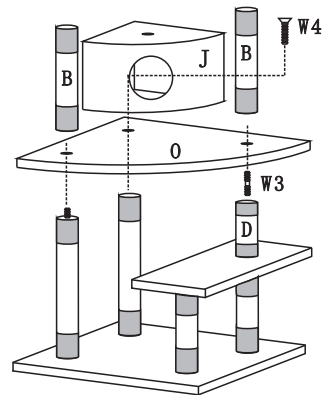
F-74



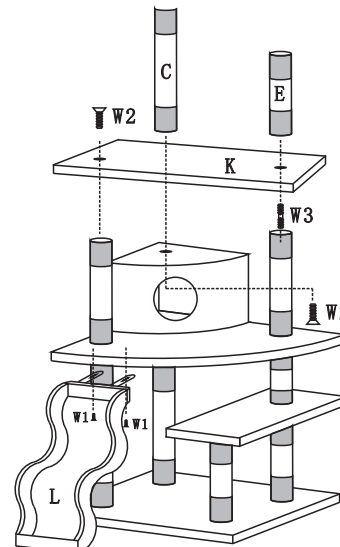
		1pc
	W1	∅0.23"*0.63" 2pcs
	W2	∅0.31"*1.57" 8pcs
	W3	∅0.31"*3.1" 5pcs
	W4	∅0.31"*2.36" 1pc
	W5	∅0.31"*0.82" 1pc



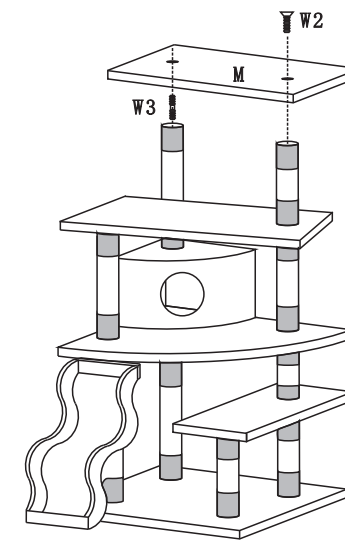
step 1



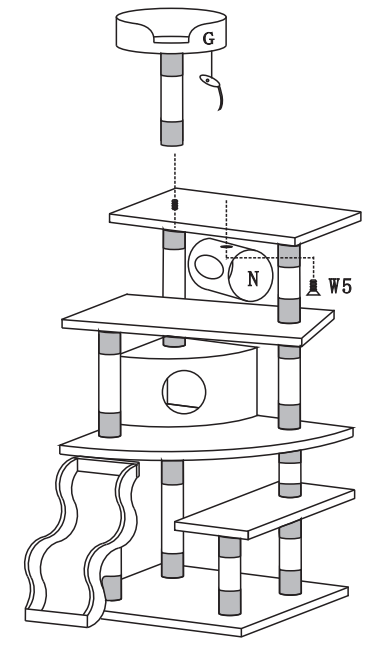
step 2



step 3



step 4



step 5