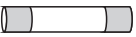

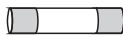
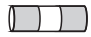



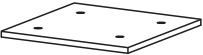

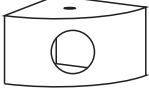

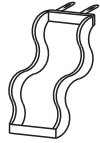
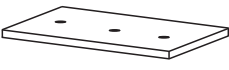


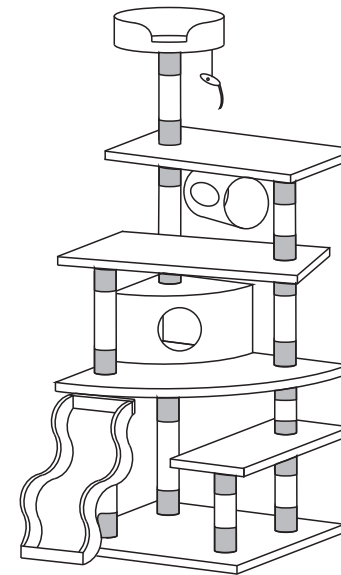




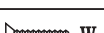
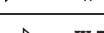


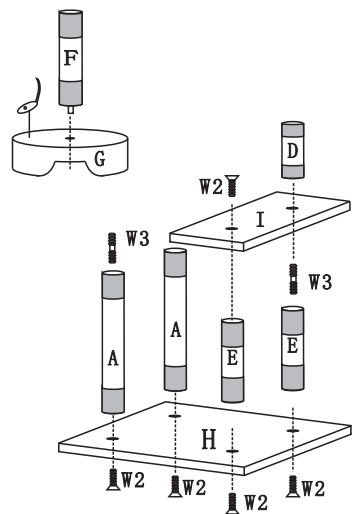
**PLEASE NOTE:** IT WILL BE BEST TO SORT AND GROUP ALL THE SAME SIZE POSTS ACCORDING TO THEIR LENGTH AND DIFFERENT PARTS TOGETHER PRIOR TO INSTALLATION

A ∅3"*20.5"  2pcs	B ∅3"*15"  2pcs	C ∅3"*17"  1pc	D ∅3"*8"  1pc
E ∅3"*11.8"  3pcs	F ∅3"*17"  1pc	G ∅13.5"*H4.5"  1pc	H 23"*23"  1pc
I 23"*11.5"  1pc	J 13.5"*13.5"*H10.5"  1pc	K 27"*11.5"  1pc	L  1pc
M 23"*11.5"  1pc	N ∅8.5"*9.5"  1pc	O 23"*23"  1pc	

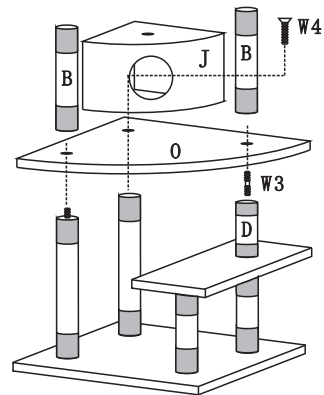
**F-73**



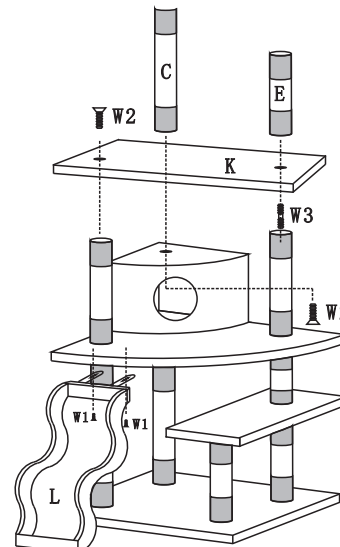
		1pc
	W1 ∅0.23"*0.63"	2pcs
	W2 ∅0.31"*1.57"	8pcs
	W3 ∅0.31"*3.1"	5pcs
	W4 ∅0.31"*2.36"	1pc
	W5 ∅0.31"*0.82"	1pc



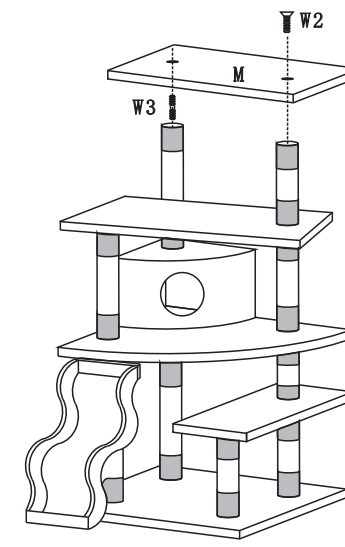
**step 1**



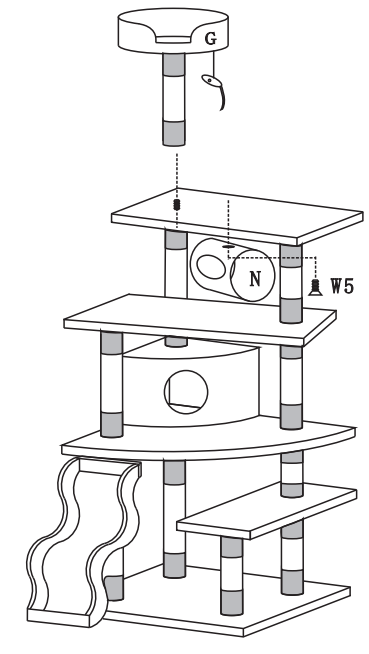
**step 2**



**step 3**



**step 4**



**step 5**