

## EFsat

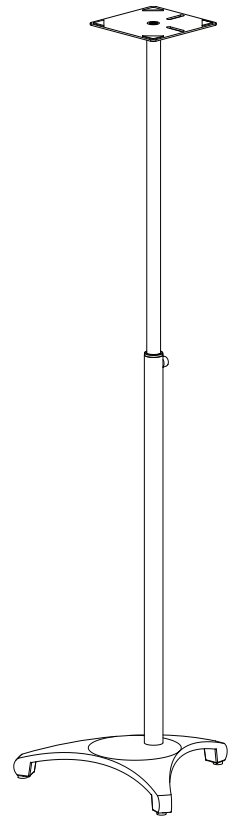
Thank you for choosing the Sanus Systems EFsat speaker stand. The EFsat speaker stand is designed to hold speakers weighing up to 4.5 kg (10 lbs). Hardware for multiple mounting configurations is included.

### WARNING

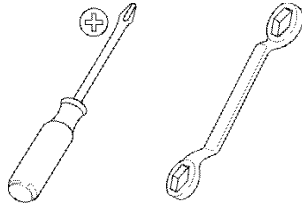
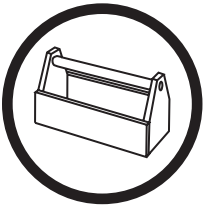
**This product contains small items that could be a choking hazard if swallowed. Keep these items away from young children!**

### CAUTION

Do not use this product for any purpose not explicitly specified by Sanus Systems. Improper installation or use may cause personal injury and/or property damage. If you do not understand these instructions, or if you have doubts about the safety of the installation, contact Sanus Systems Customer Service. Sanus Systems is not liable for injury or damage caused by incorrect installation or use.



Hardware and procedures for multiple mounting configurations are included. When you see this symbol, choose the correct configuration to suit your needs. Not all hardware will be used.

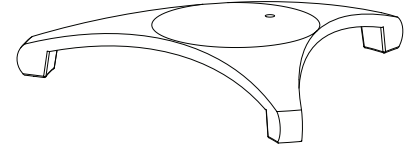


## Supplied Parts and Hardware

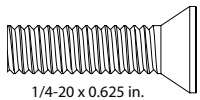
Before starting assembly, verify all parts are included and undamaged. If any parts are missing or damaged, do not return the item to your dealer; contact Sanus Systems Customer Service at 1-800-359-5520. Never use damaged parts!



[01] x 2

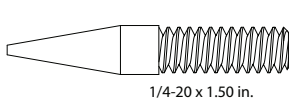


[02] x 2



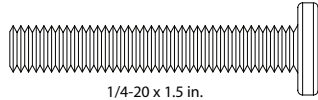
1/4-20 x 0.625 in.

[03] x 2



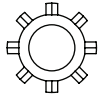
1/4-20 x 1.50 in.

[04] x 6



1/4-20 x 1.5 in.

[05] x 2



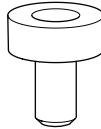
1/4-20

[06] x 2

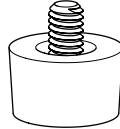


1/4-20

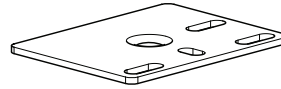
[07] x 8



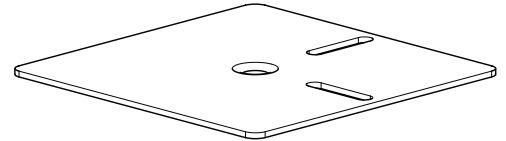
[08] x 6



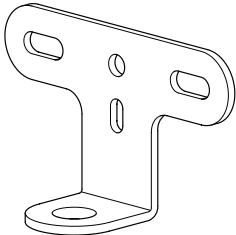
[09] x 2



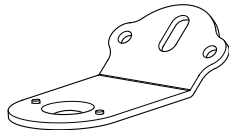
[10] x 2



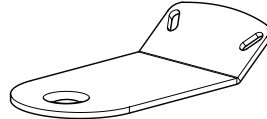
[11] x 2



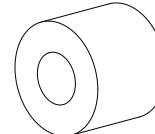
[12] x 2



[13] x 2

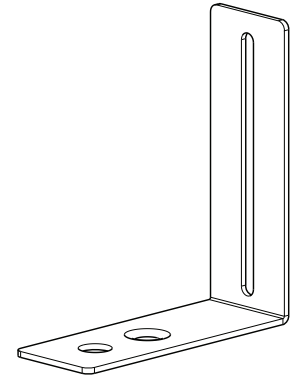


[14] x 2

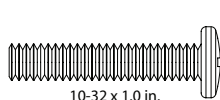


0.28 x 0.5 in.

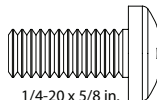
[15] x 2



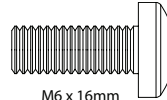
[16] x 2



[18] x 2



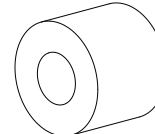
[19] x 2



[20] x 2



[21] x 4



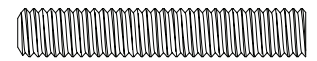
0.28 x 0.5 in.

[15] x 2



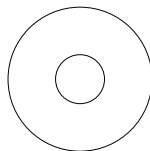
1/4-20 x 0.875 in.

[17] x 2



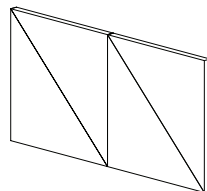
1/4-20 x 1.5 in.

[22] x 2

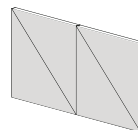


0.75 x 0.257 in.

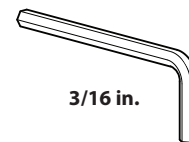
[23] x 2



[24] x 2

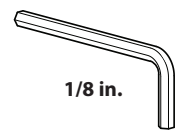


[25] x 2



3/16 in.

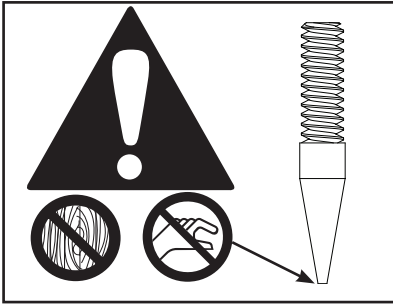
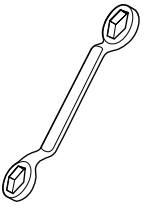
[26] x 1



1/8 in.

[27] x 1

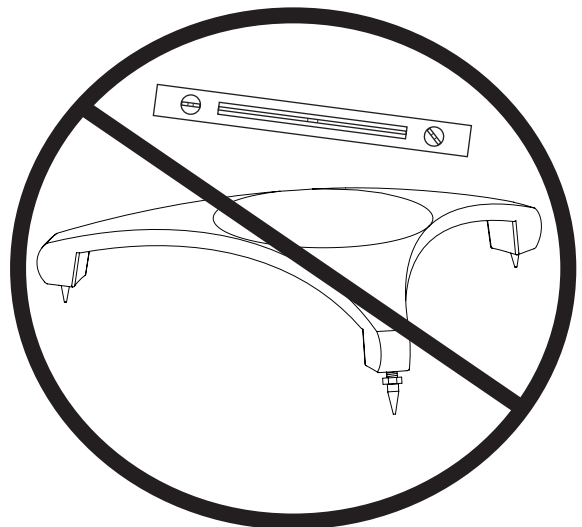
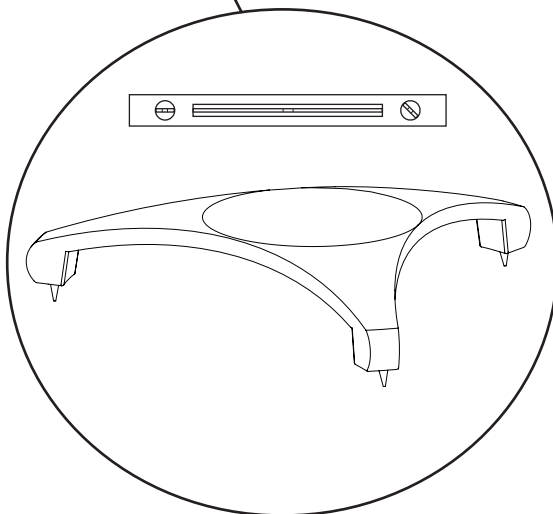
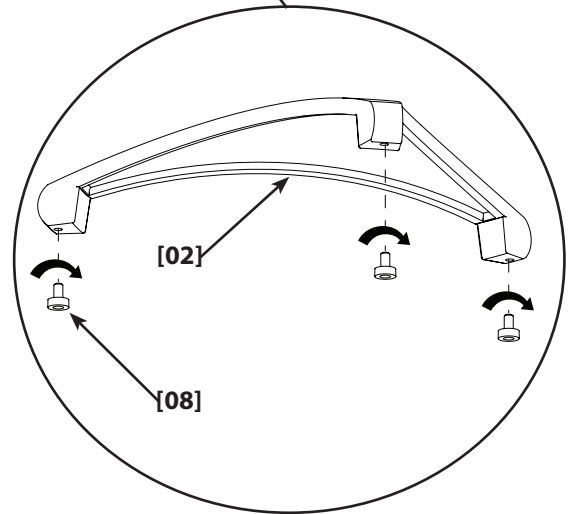
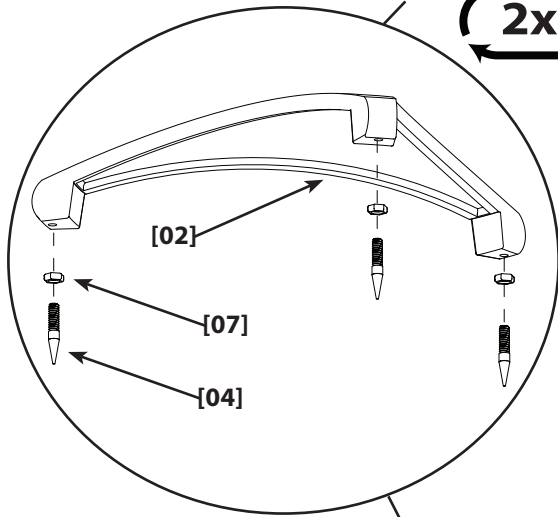
# 1: Assemble Base



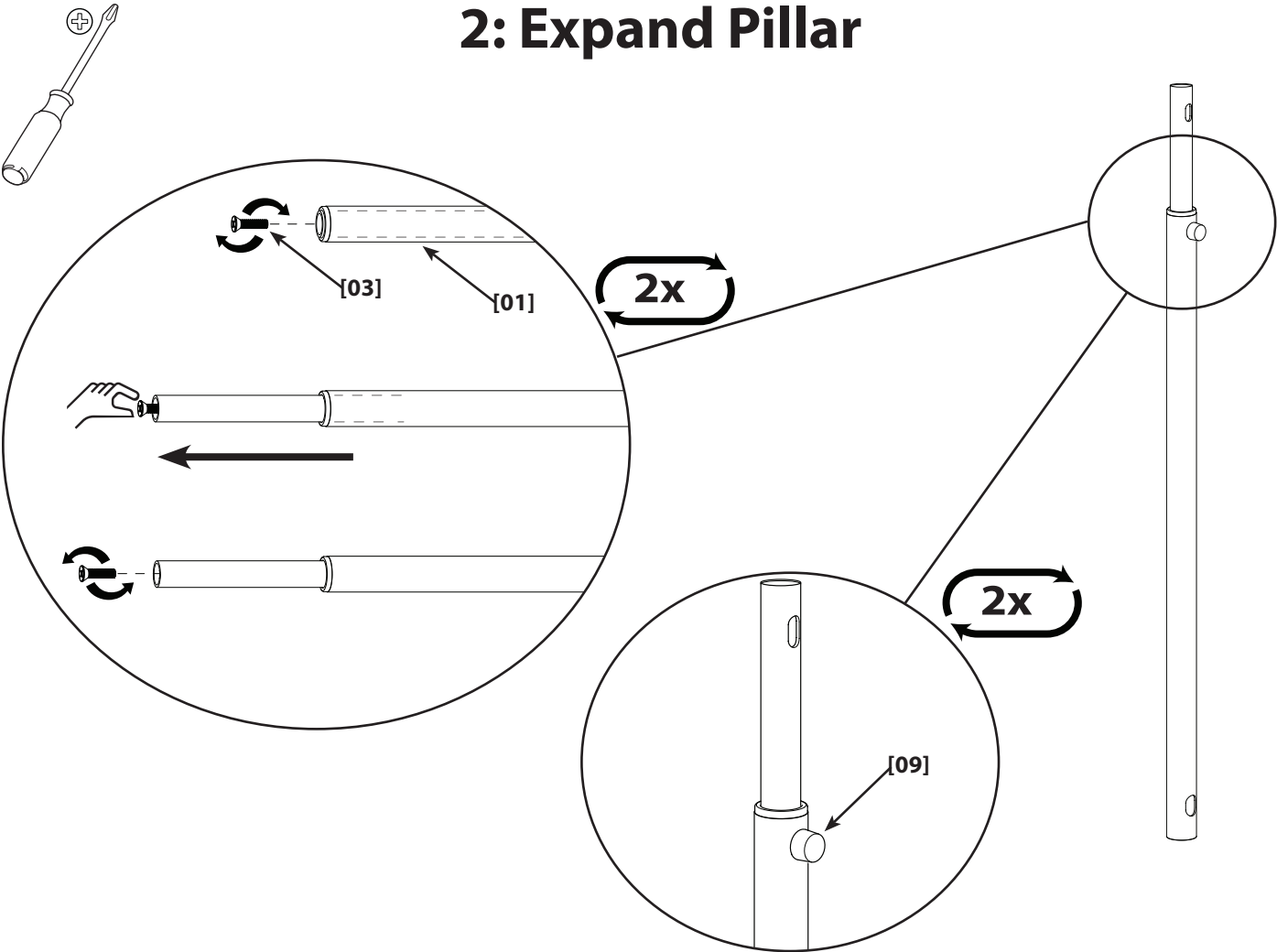
OPT

2x

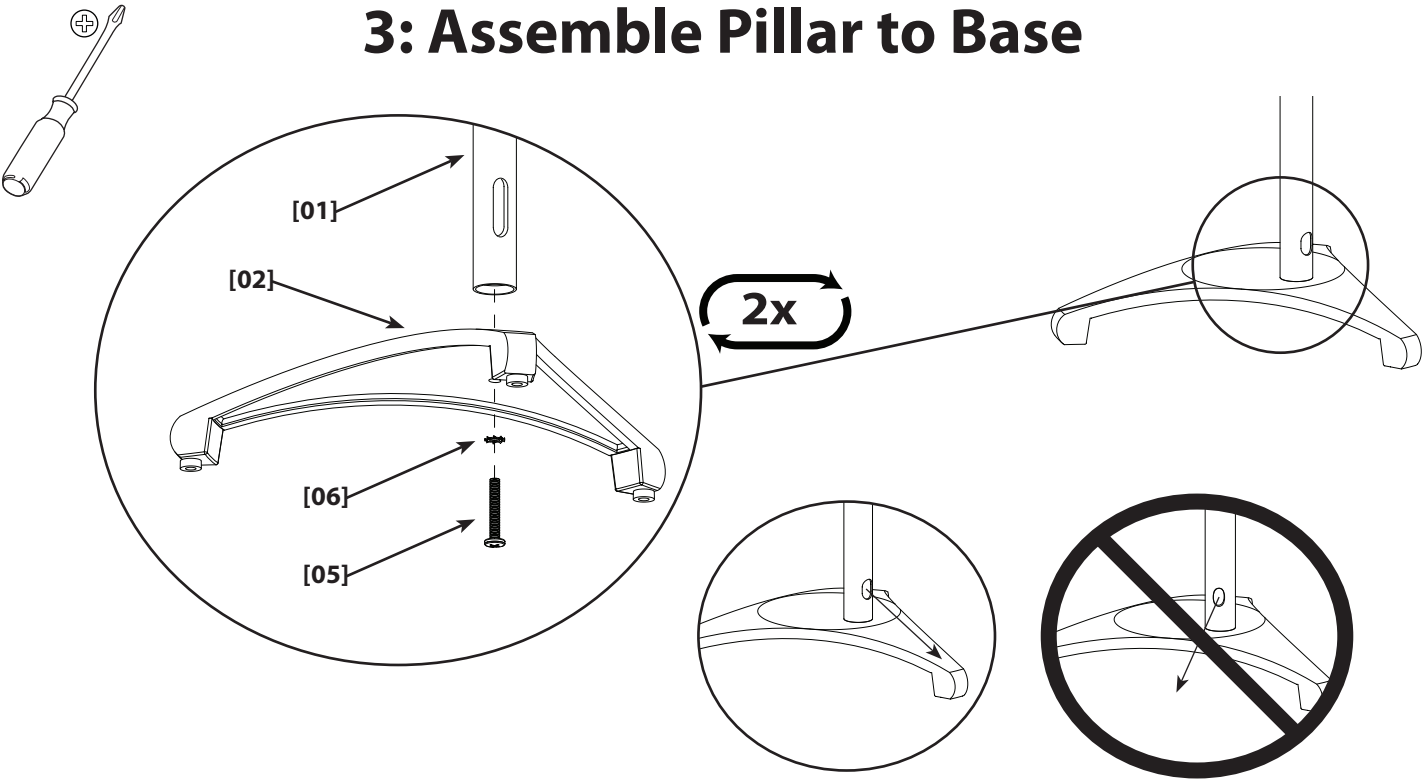
2x



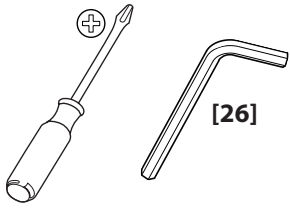
## 2: Expand Pillar



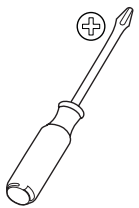
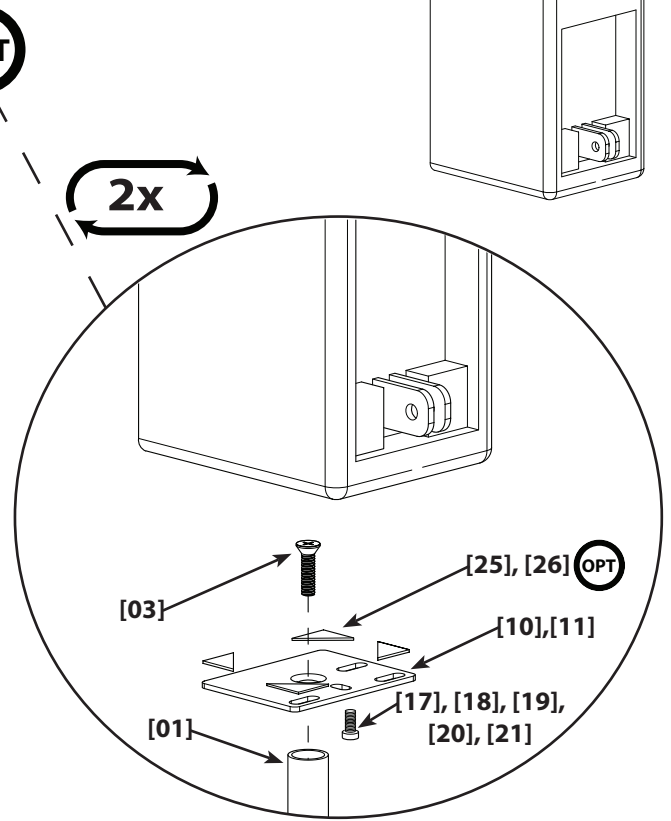
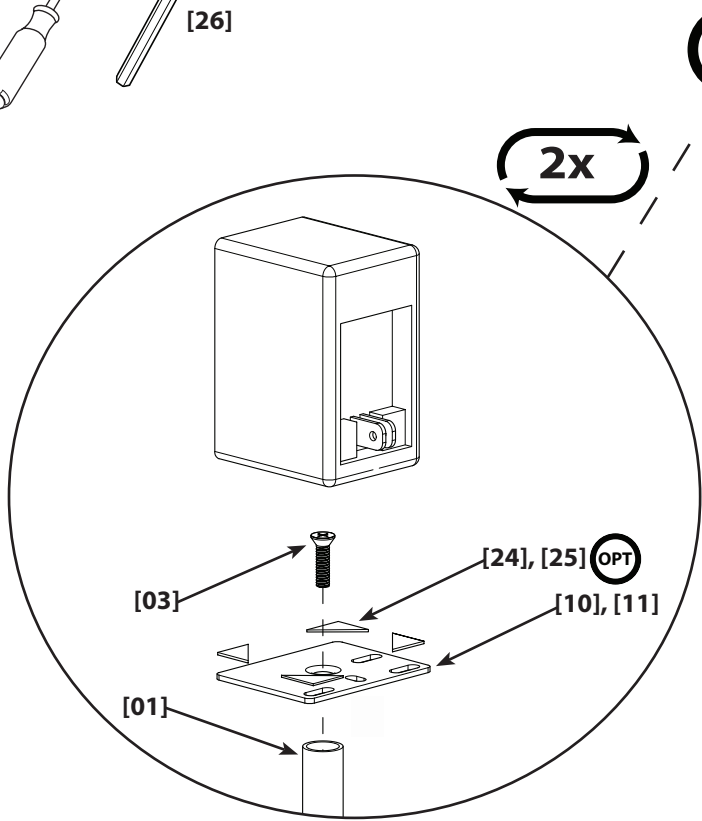
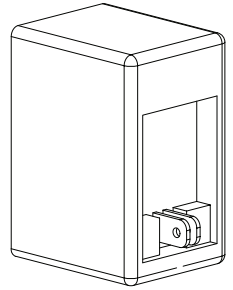
## 3: Assemble Pillar to Base



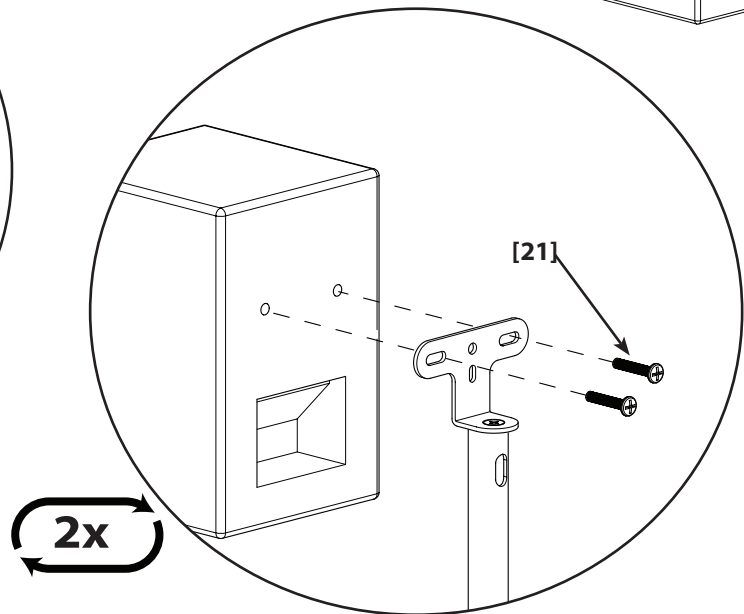
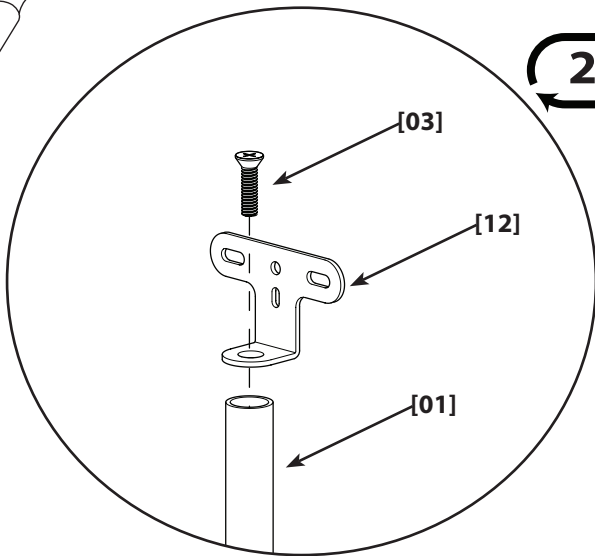
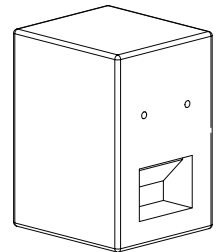
# 4: Choose Speaker Mount

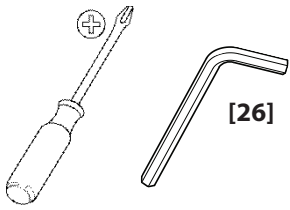


No Threaded Insert or Threaded Insert on Bottom

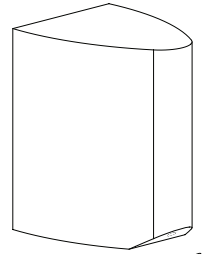


Double Threaded Insert on Back

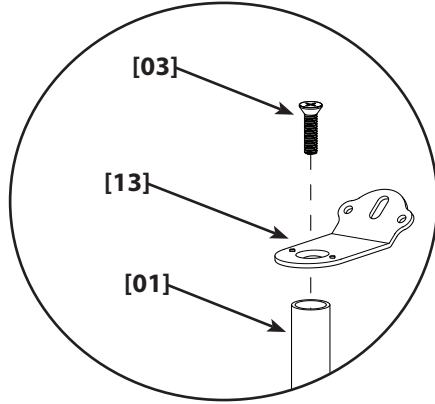




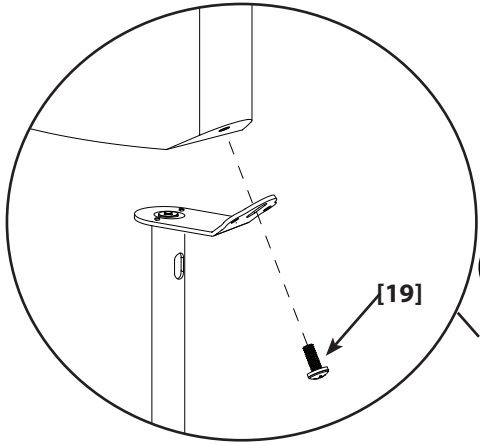
### Klipsch Quintet Mount



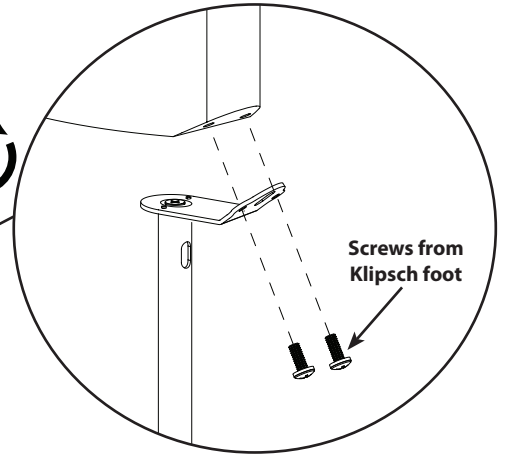
2x



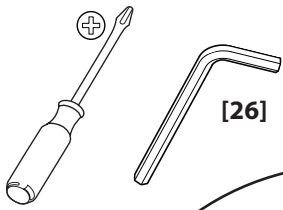
2x



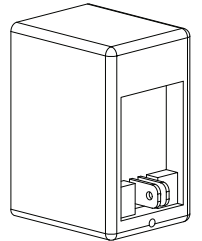
2x



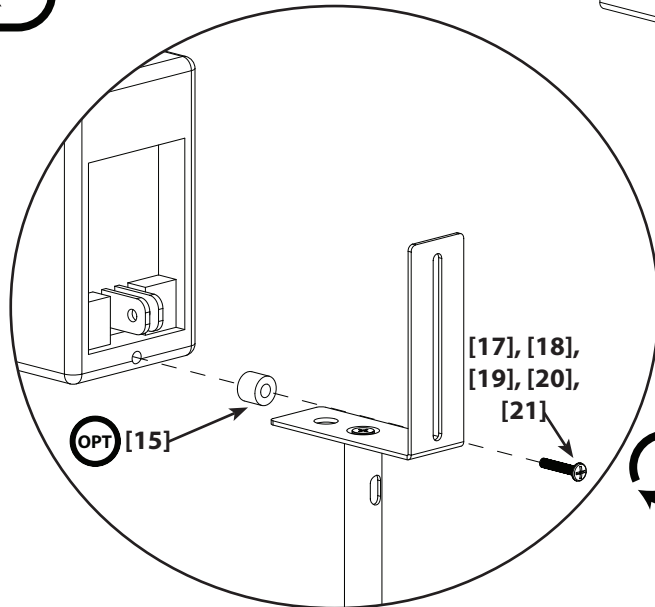
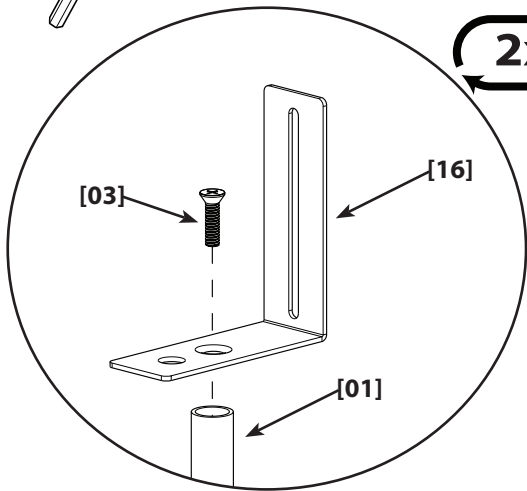
OPT



### Single Threaded Insert on Back

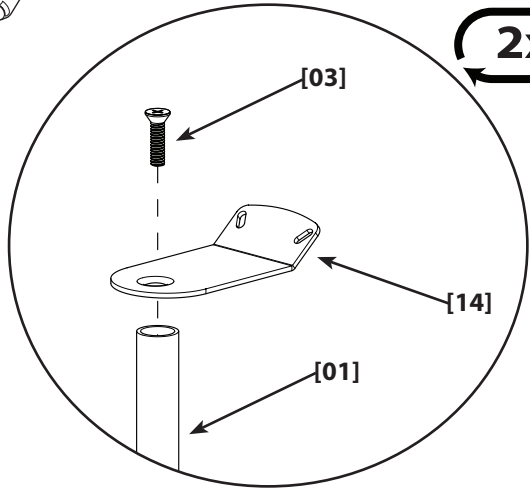
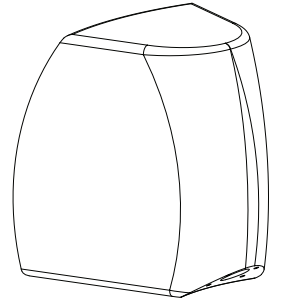
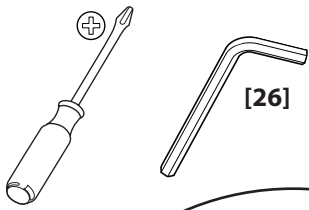


2x

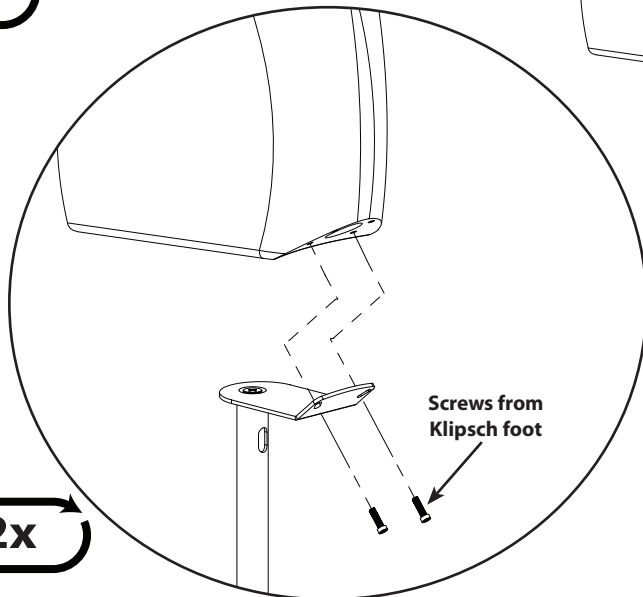


2x

# Klipsch RS Mount



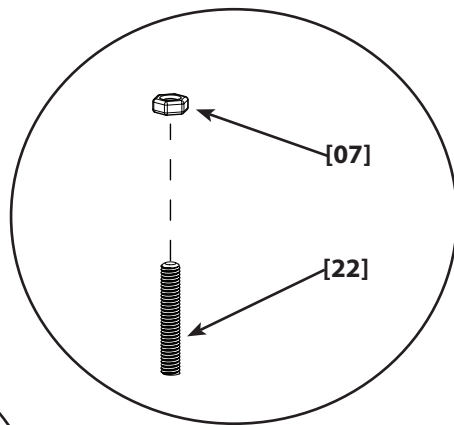
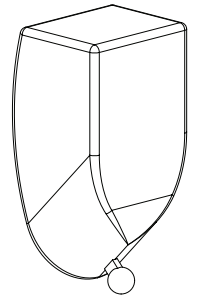
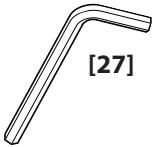
2x



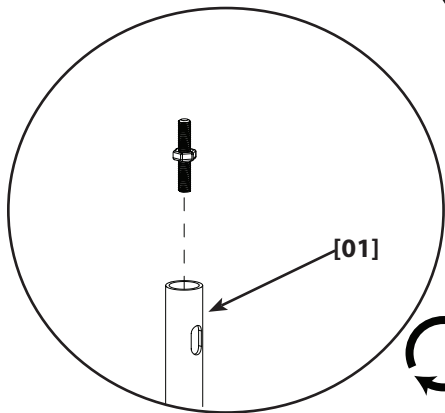
2x

Screws from Klipsch foot

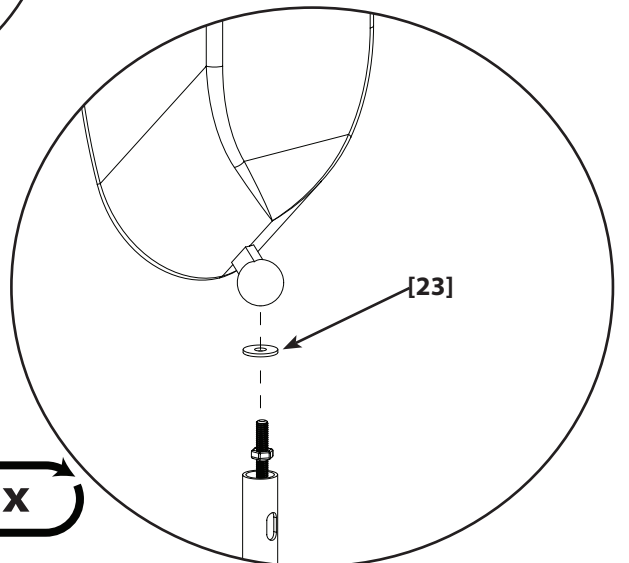
# Ball Mount



2x

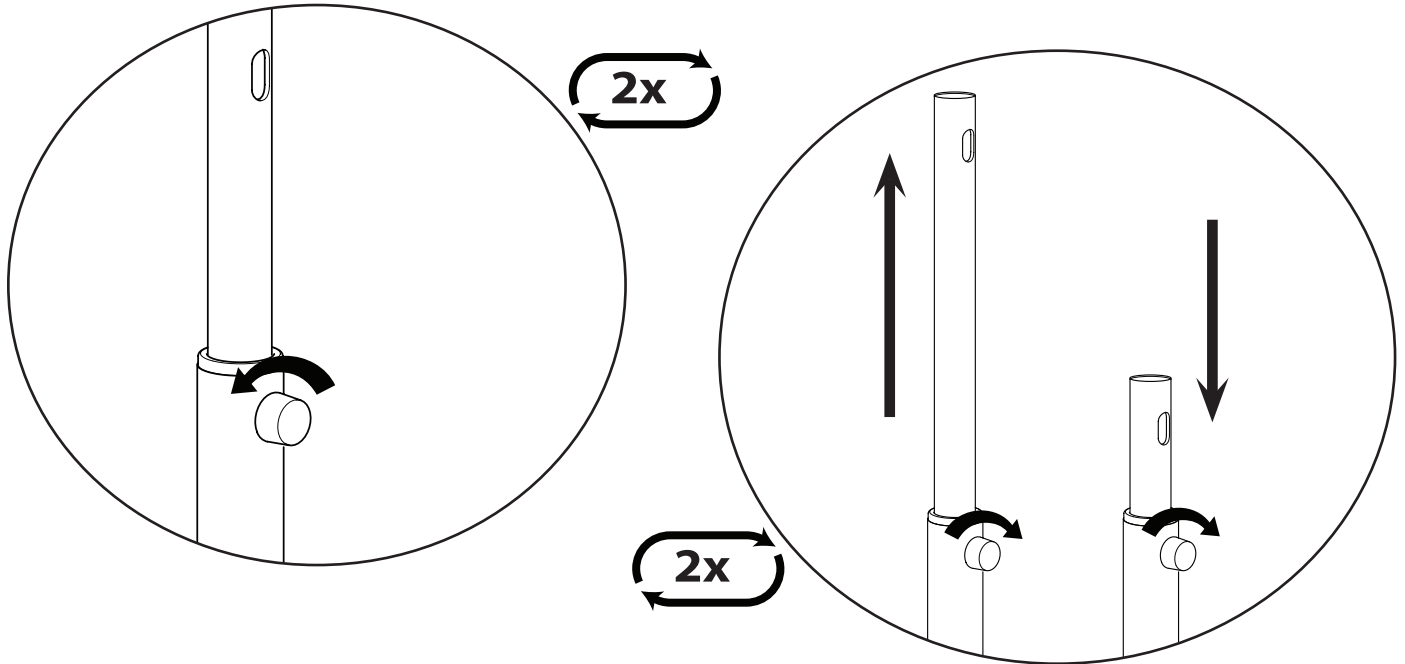


2x



2x

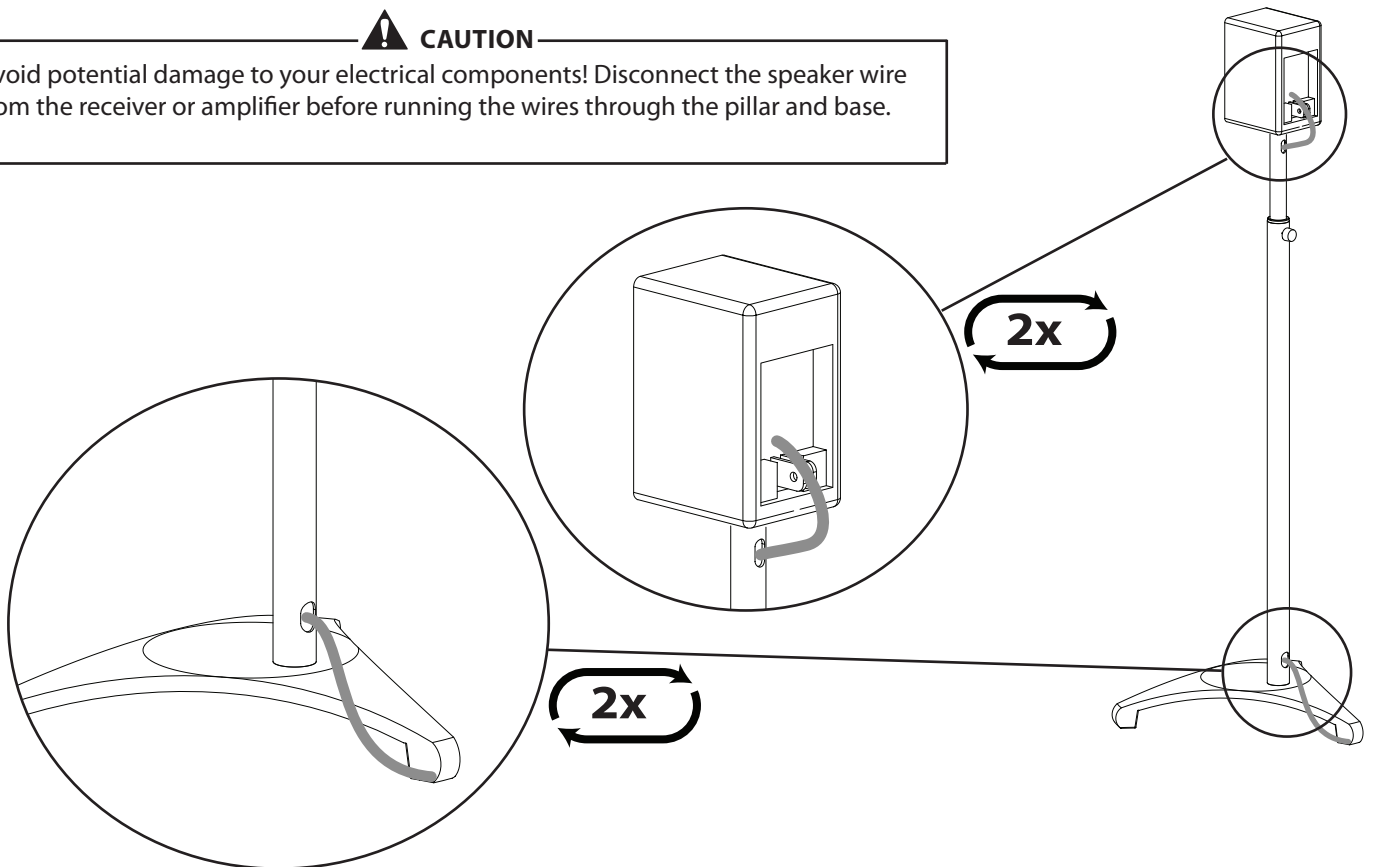
## 5: Adjust Height of Stand



## 6: Run Wire Through Pillar

**CAUTION**

Avoid potential damage to your electrical components! Disconnect the speaker wire from the receiver or amplifier before running the wires through the pillar and base.



CSAV, Inc. and its affiliated corporations and subsidiaries (collectively, "CSAV"), intend to make this manual accurate and complete. However, CSAV makes no claim that the information contained herein covers all details, conditions, or variations. Nor does it provide for every possible contingency in connection with the installation or use of this product. The information contained in this document is subject to change without notice or obligation of any kind. CSAV makes no representation of warranty, expressed or implied, regarding the information contained herein. CSAV assumes no responsibility for accuracy, completeness or sufficiency of the information contained in this document.