



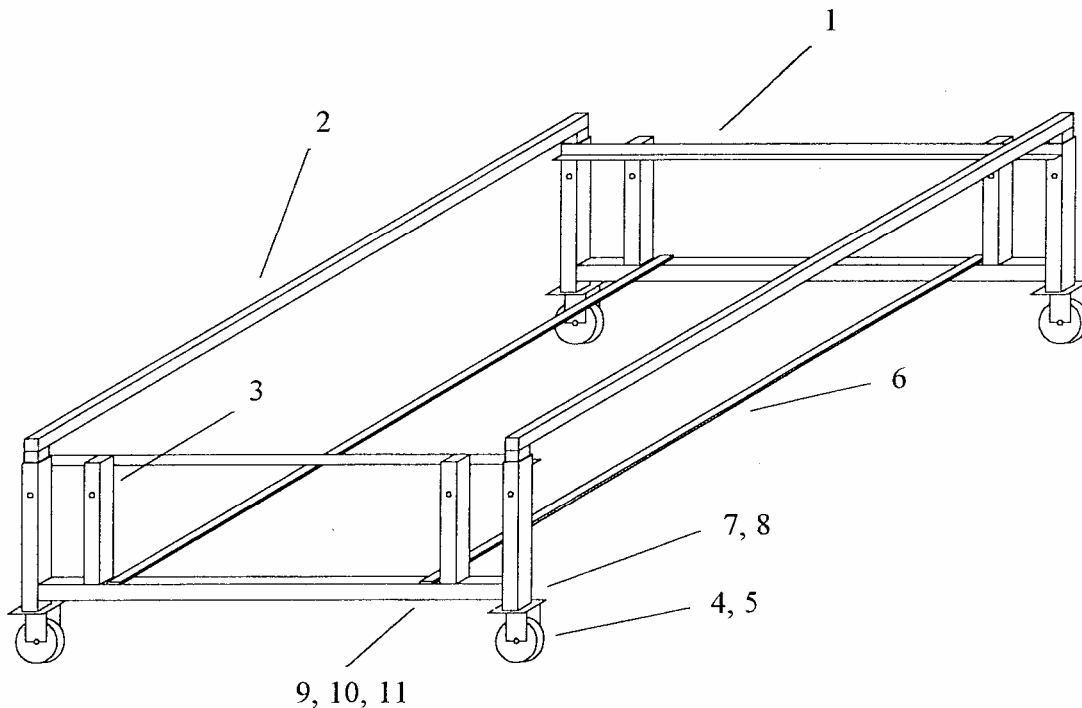
MADE IN THE USA

**KEYSCO TOOLS
DIVISION OF S&H INDUSTRIES**

5200 Richmond Road • Cleveland, OH 44146
 Phone 216-831-0550 • Toll Free 800-253-9726 •
 Fax 216-831-9573
 www.shindustries.com
 E-Mail: www.service@shindustries.com
 Rev. 1/19/12

PICKUP BED DOLLY – 77783

The Keysco Tools Pickup Bed Dolly is designed to hold pickup beds from mini to full size. Adjustable width (36" and 48") with an overall length of 70". Three height adjustments (21-1/2", 24-1/2" and 27-1/2"). Heavy-duty 4" swivel casters with two locking. All tubular steel construction.



Key #	Part #	Description	Qty.	Key #	Part #	Description	Qty.
1	11511	Side assembly	2	7	10214	5/16-18 caster bolt	16
2	11512	Rail assembly	2	8	10772	5/16-18 caster lock nut	16
3	11522	Adjustment pin	4	9	10766	1/4-20 x 2-1/2" Bolt	4
4	11520	Swivel caster	2	10	10201	1/4-20 Hex nut	4
5	11521	Swivel caster with lock	2	11	10218	1/4" USS washer	8
6	11681	Horizontal support	2				

To change width, remove adjustment pin from both ends and set rail assembly into inner or outer tubes on side assembly. Set height adjustment by removing pins and raising all four corners of rail assemblies to same height. **Height and width adjustments must always be equal to maintain a safe balance on dolly.**