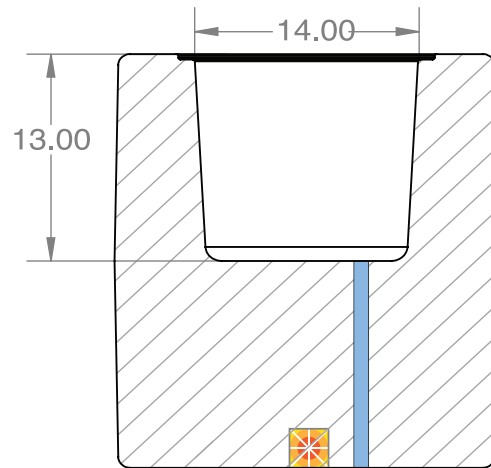
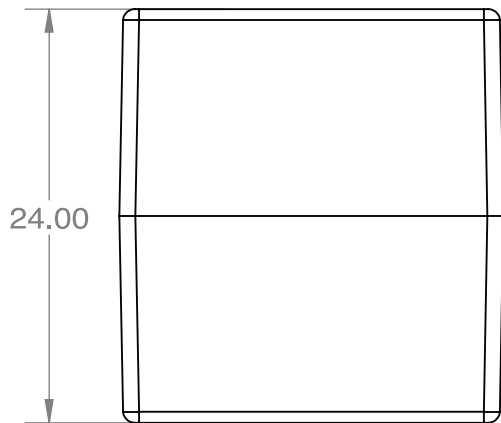
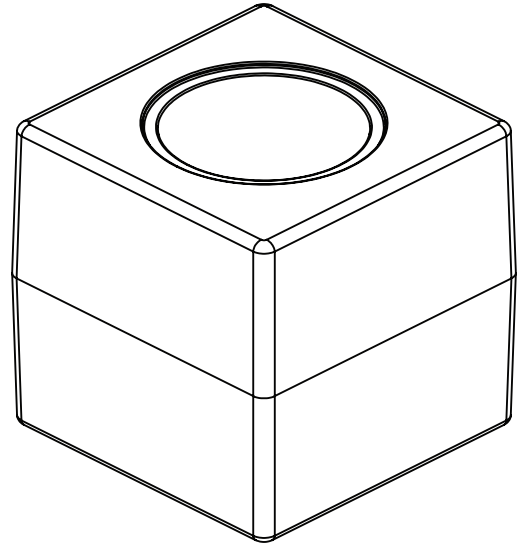
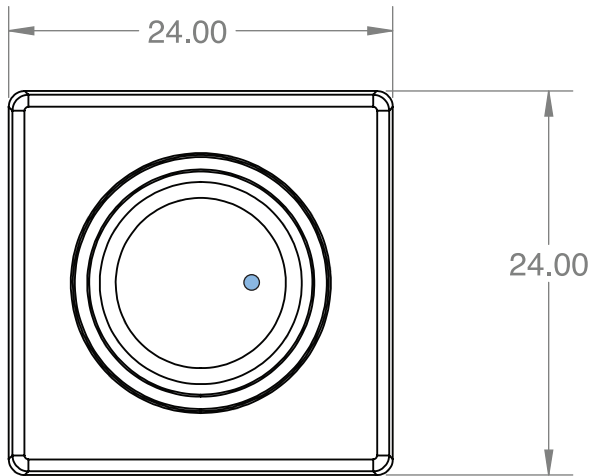




# MODENVAZ™ TUBBIE

designed by Hanz Lammersdorf

Order at [kuldesigns.com](http://kuldesigns.com)



Weight: 30 lbs.



Indicates location of light unit if applicable.



All measurement increments are in inches.



Indicates location of drain unit if applicable.



Call 800.343.3024 for information and ordering.  
Or email [kul@kuldesigns.com](mailto:kul@kuldesigns.com)

[kuldesigns.com](http://kuldesigns.com)  
modern + illuminating  
furniture, lighting &  
planters

