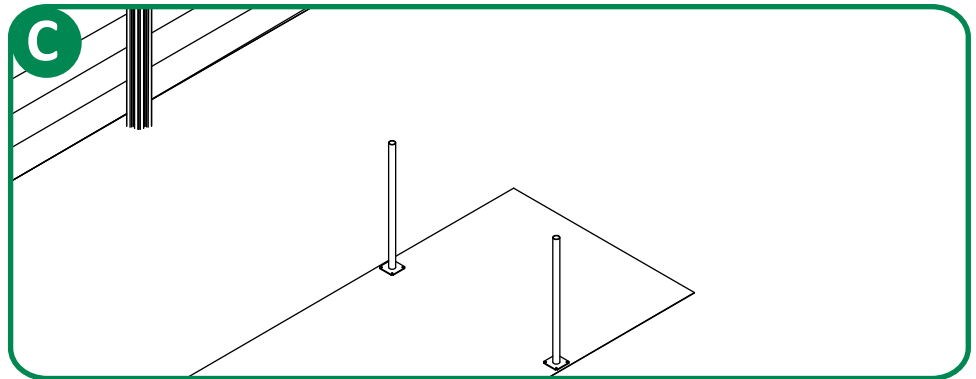
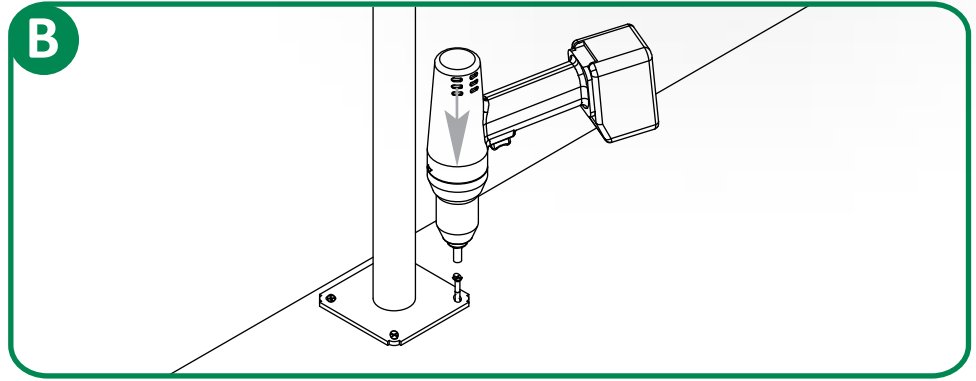
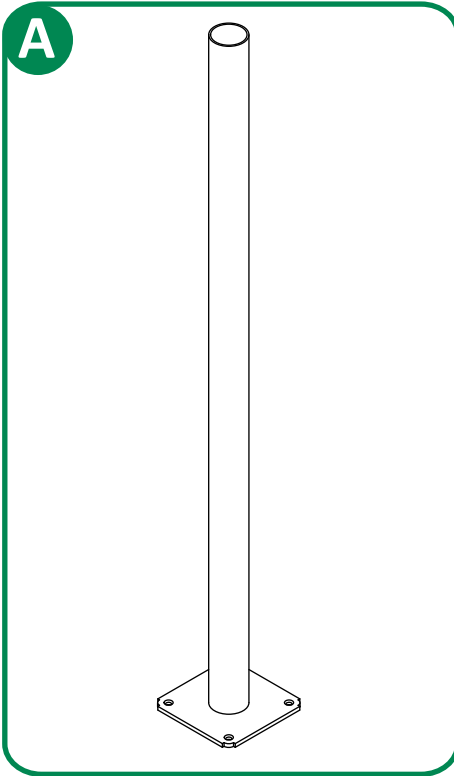


# Steel Surface Mount



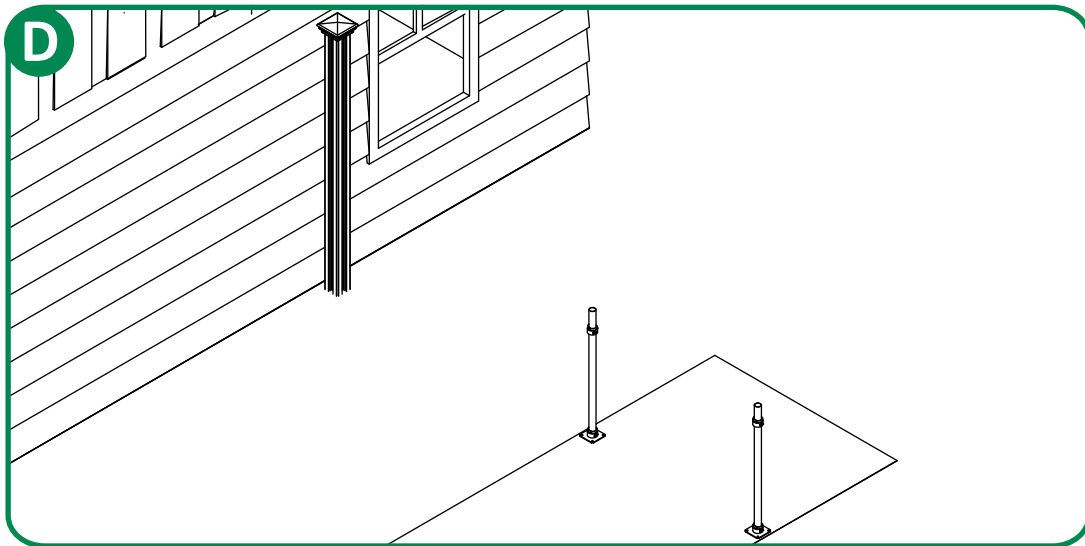
**TRADITIONAL**

Mounting your posts to a concrete or wood surface:



Any WamBam vinyl fence can be mounted to a wood, or concrete surface using our surface mounts.

Use fasteners (purchase separately), and hammer drill (if concrete surface) to drill and mount.



Leveling donuts can be adjusted to compensate for uneven mounting surfaces