

Yard & Pool Vinyl Gate

WamBam
FENCE

TRADITIONAL

REALLY

**^ Important stuff to know about
installing your WamBam gate.**



1-877-778-5733

www.wambamfence.com

Yard & Pool Vinyl Gate Reality Check

WamBam FENCE

TRADITIONAL

1 - Read Over Fence Instructions First

Your gate and fence will work better together as an integrated solution if you first take the time to read and understand your fence instructions.

2 - Do a Dry Run First on the Gate Frame Only (not pickets or boards)

Please do not glue or screw your gate frame together until you have first temporarily assembled the gate. In other words, do a dry run first.

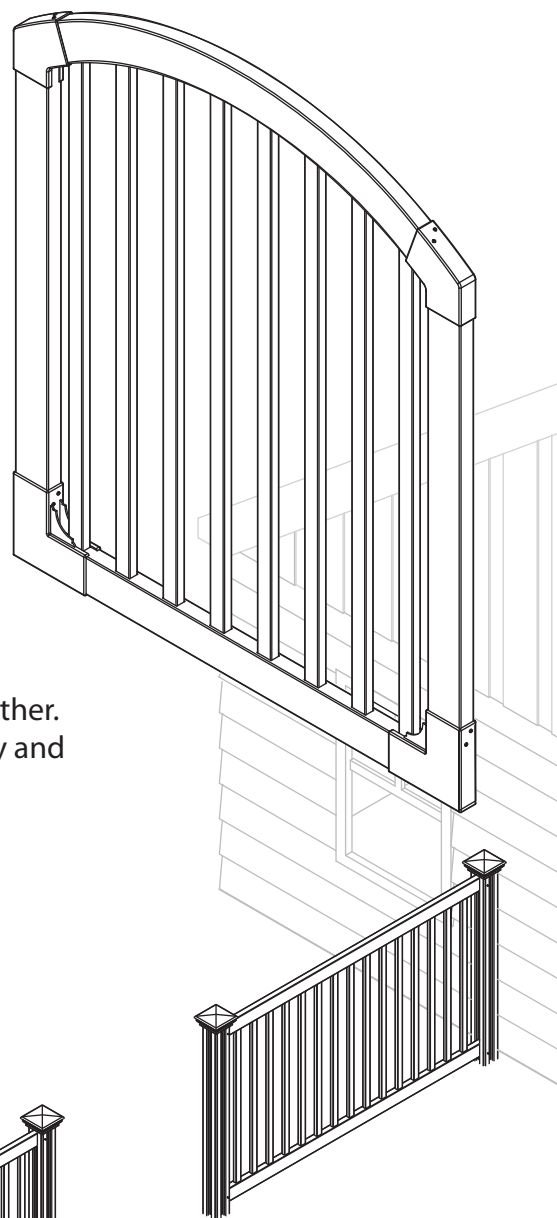
This will ensure three things:

- That you have everything necessary to complete the gate.*
- That you will have assembled the gate in the correct order.*
- All the pieces fit and function properly.*

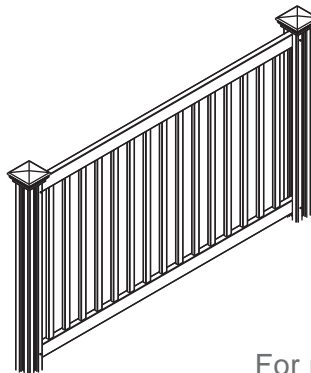
It's easier to trouble shoot when things are not glued and screwed together. After you assemble your gate correctly, please disassemble as necessary and use glue and screws to permanently assemble the gate.

3 - Ideally, Install Your Gate Posts Before Your Fence Posts

Your fence panels will be more forgiving for a custom fit than your gate. Ideally, position and install your gate posts before you do anything else, or very early on in the process of setting up your fence run.



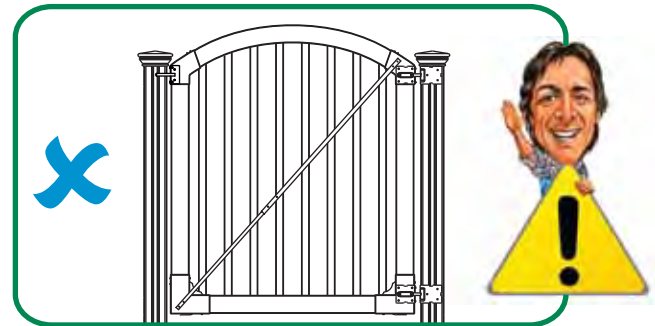
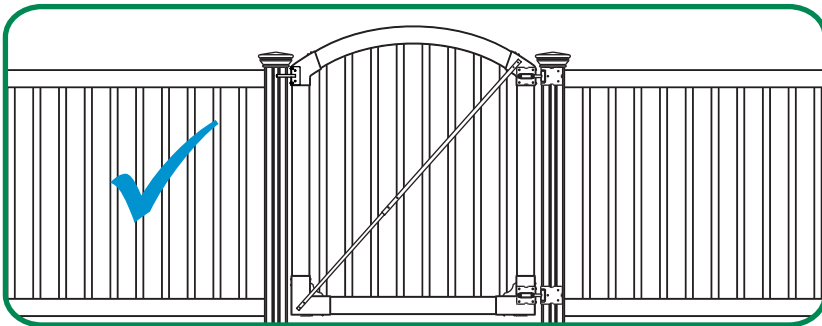
**Install Your Gate Posts
Before Installing Your
Fence Posts.**



For more information,
contact us at 1 877-778-5733.

4 - Ideally, Do Not Hang Your Gate System Off a Single Non-Supported Post.

Your gate will perform better and last longer if your hinge post is connected to a panel of fence which is connected to another post. The weight strain will be transferred unto two posts versus just one. Installing fence panels on both sides of your gate is the ideal in all situations. If this is not possible because of space restrictions, please contact us for alternative solutions to overcome.



Do Not Hang Gate on Lone Soldier Post.

Pool Code Notes

For swimming and other child safety gates, most safety standards specify:

- Your fence height needs to be between 4' and 6' high minimum*
- Your gate needs to open outwards away from the pool*
- Latch releasing mechanism to be minimum 54" off the ground.*

*The Yard & Pool gate will require a specialized latching system to meet pool code.

Use MagnaLatch Top Pull Hardware (not included).

Magna Latch Top Pull Code is # MLTPS2BGA.

*Always confirm these and other requirements with the appropriate authorities in your area.

Code will change from one location to another across the country.

Gate Brace Warning

The gate brace included with this gate may be considered a climbing surface by some pool inspectors and therefore in conflict with pool code. This gate can be assembled and installed without the brace if and when necessary.

Yard & Pool Vinyl Gate Box Contents

WamBam FENCE

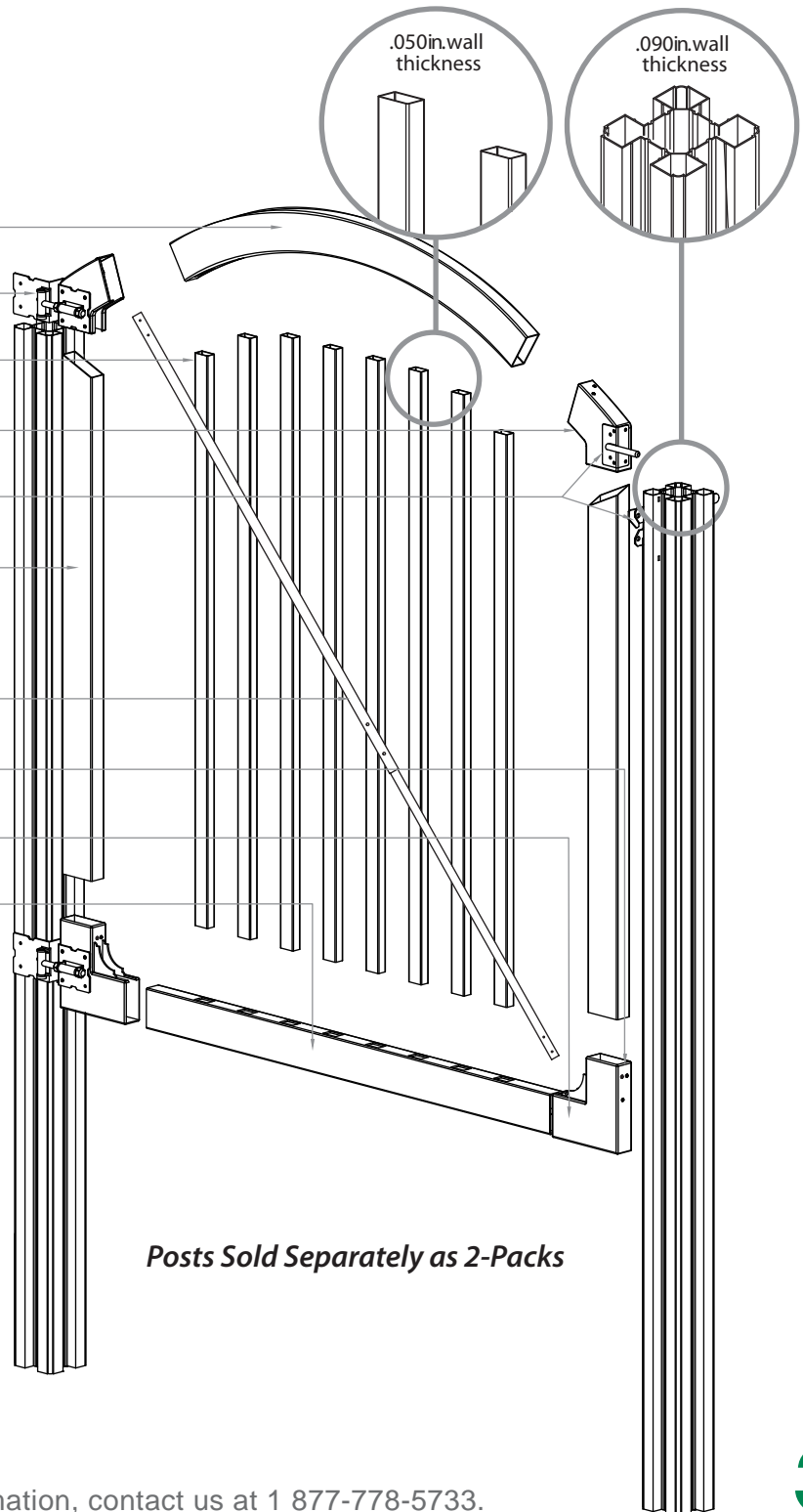
TRADITIONAL

Each Gate Box Includes:

- Top Rail (1)
- Gate Hinges (2)
- Pickets (8)
- Arch Brackets (2)
- Gate Latch (1)
- Vertical Stiles (2)
- Tube of Glue (1)
- Gate Brace (1)
- Stainless Steel Screws (16)
- Gate Bottom Brackets (2)
- Bottom Rail (1)

Sold Separately:

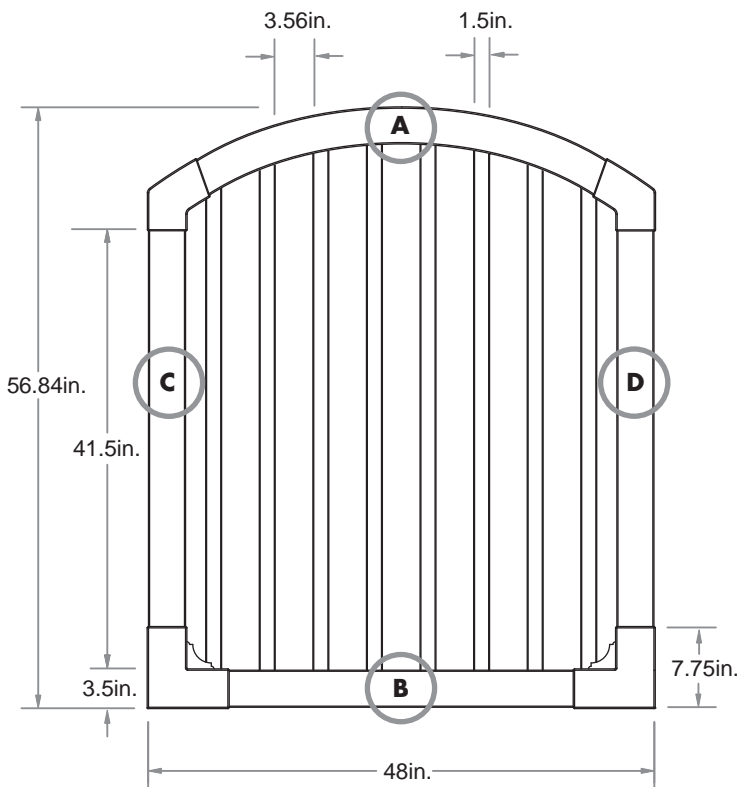
- 6ft. Posts (2-Pack)



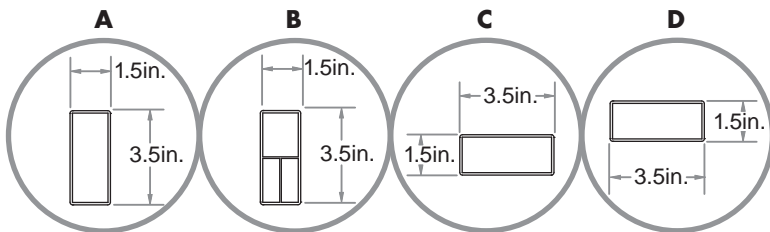
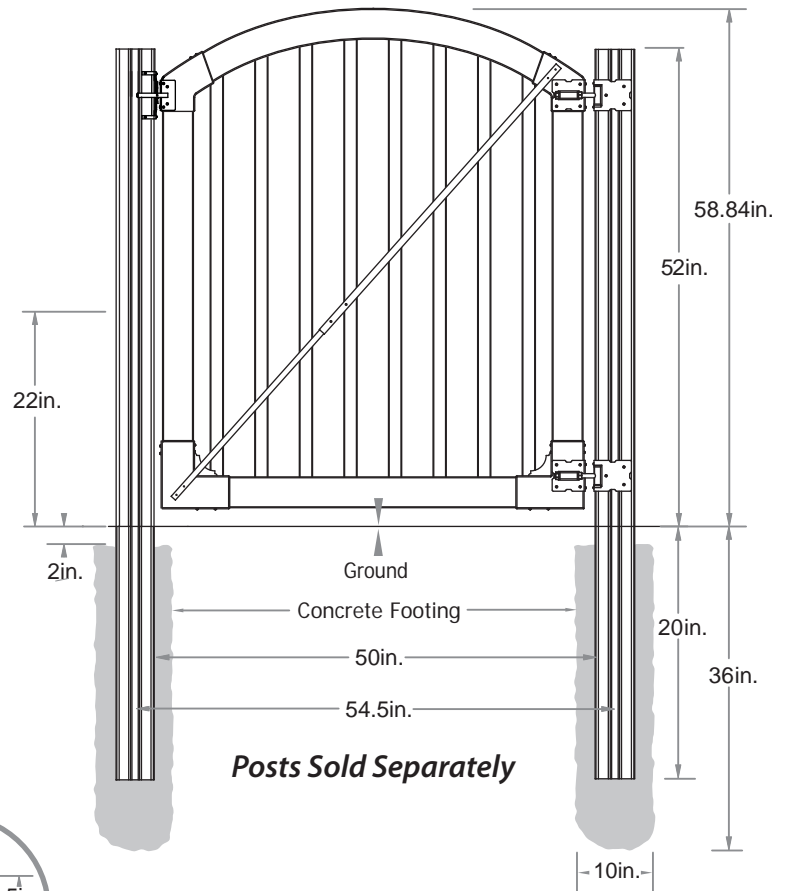
For more information, contact us at 1 877-778-5733.

PRODUCT OVERVIEW

Gate Assembly



Gate Installation

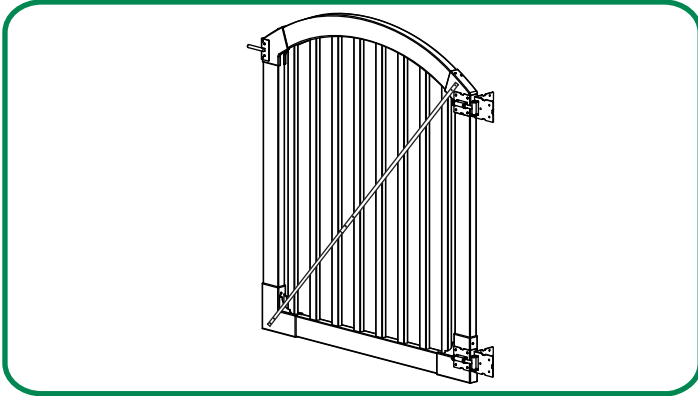


.090in. wall thickness

Detailed Installation Instructions

TRADITIONAL

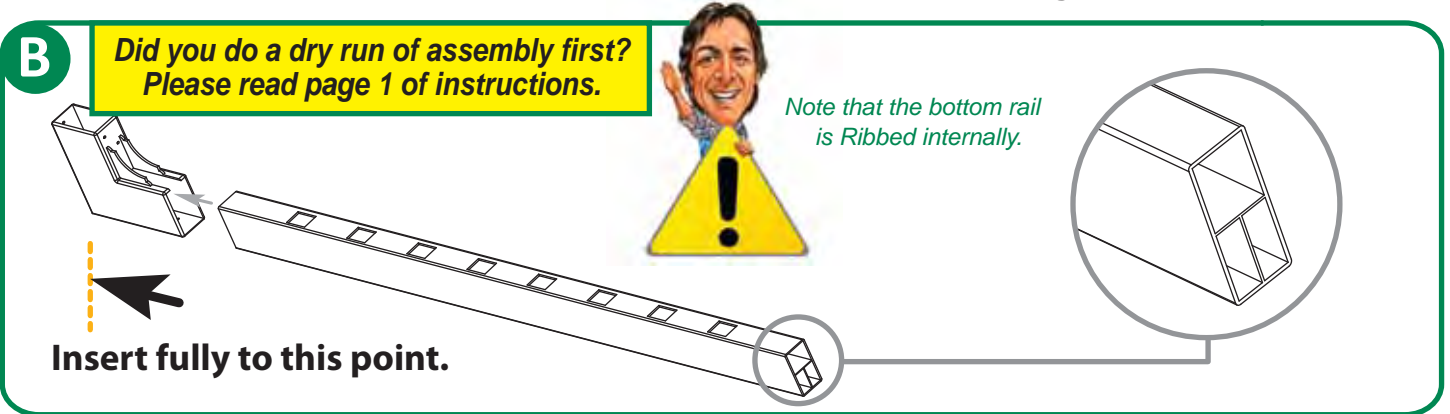
STEP 1 Assemble the Gate Frame Bottom & Sides



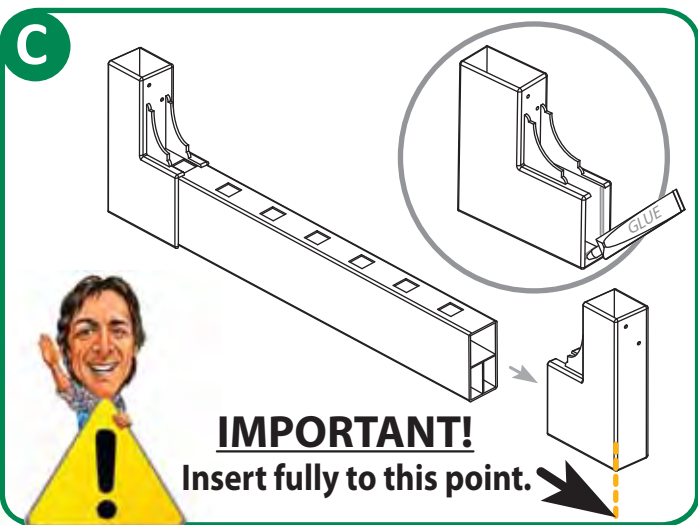
Completely assembled gate shown



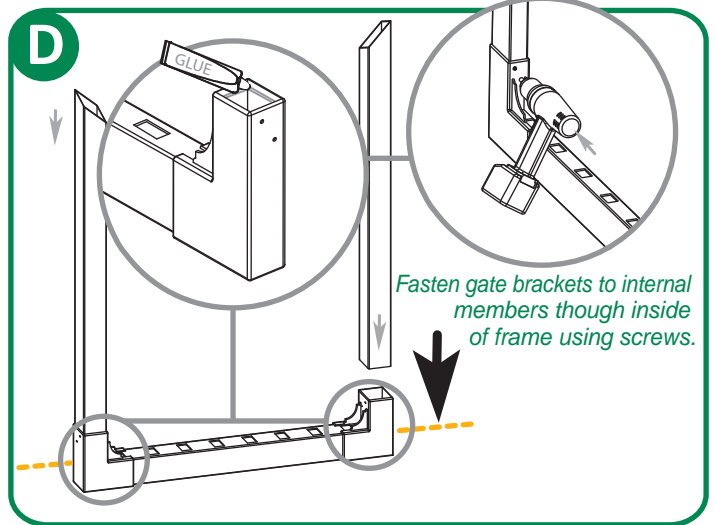
A - Run bead of vinyl weld continuously around the inside of the gate bracket



B - Insert the bottom rail **ALL THE WAY** until it **BOTTOMS OUT** inside gate bracket

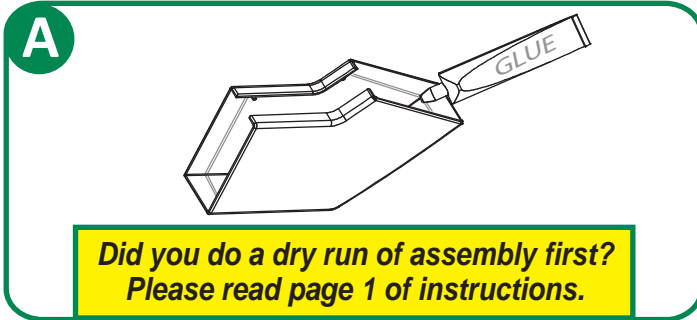


C - Insert the bottom rail **ALL THE WAY** until it **BOTTOMS OUT** INSIDE GATE BRACKET

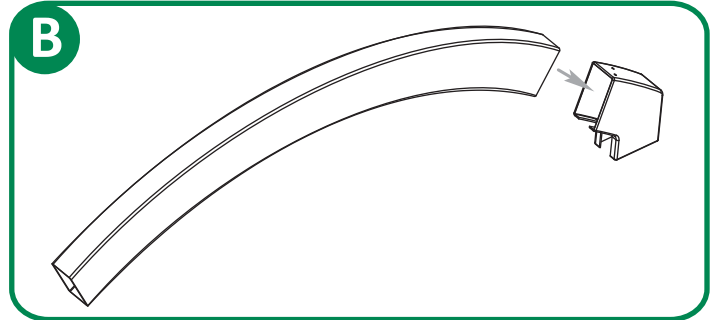


D - Insert vertical gate stiles. They will **BOTTOM OUT** against bottom horizontal rail

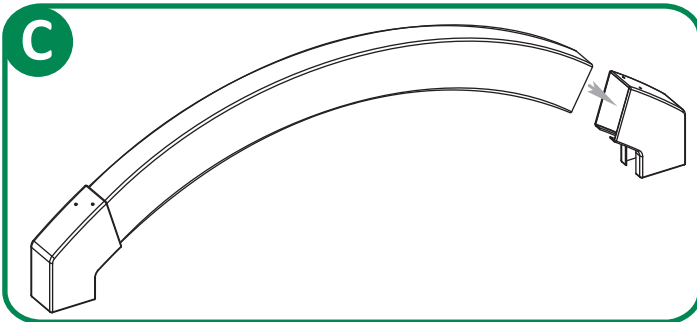
STEP 2 Insert Pickets & Assemble the Gate Frame Top



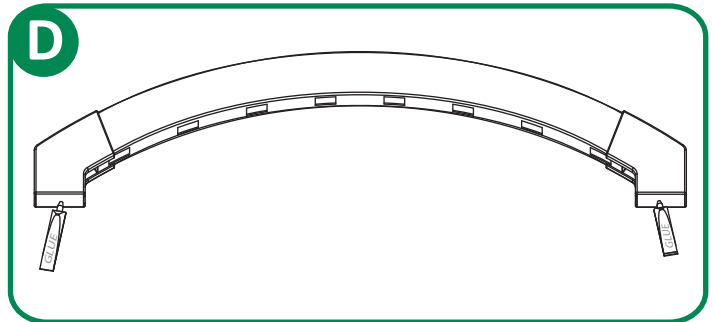
A - Run bead of vinyl weld continuously around the inside of the gate bracket



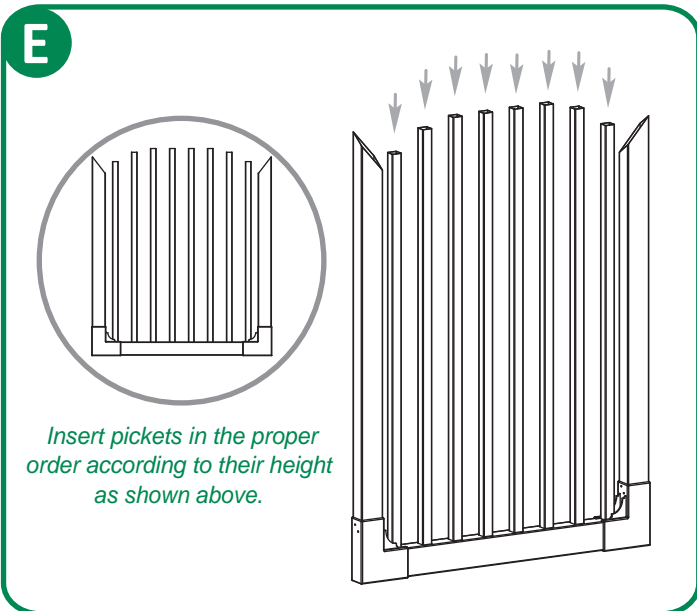
B - Insert the top rail until it bottoms out inside arch bracket



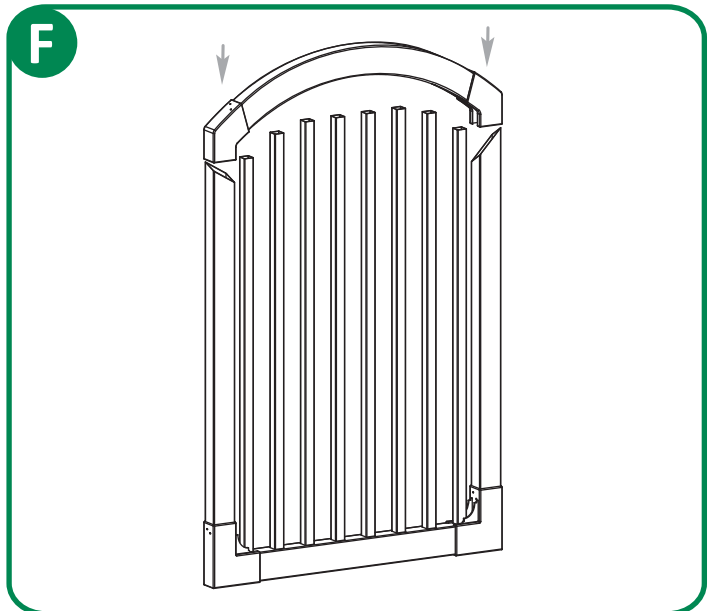
C - Insert the top rail until it bottoms out inside arch bracket



D - Run bead of vinyl weld continuously around the inside of the gate bracket

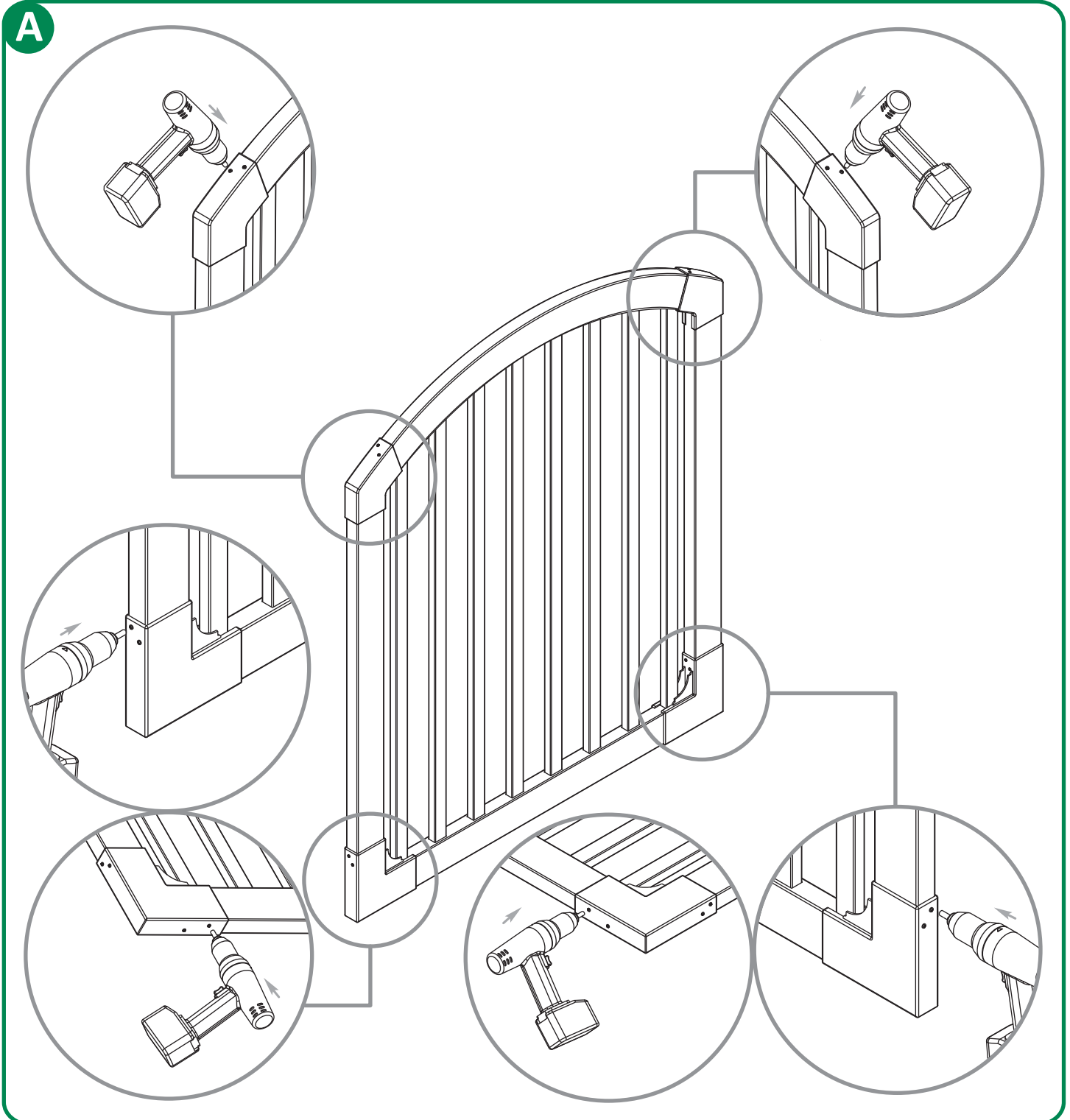


E - Insert pickets in the proper order through holes in the bottom rail



F - Slide gate arch (with brackets) over the pickets and vertical gate stiles

STEP 3 Screw Gate Frame/Brackets



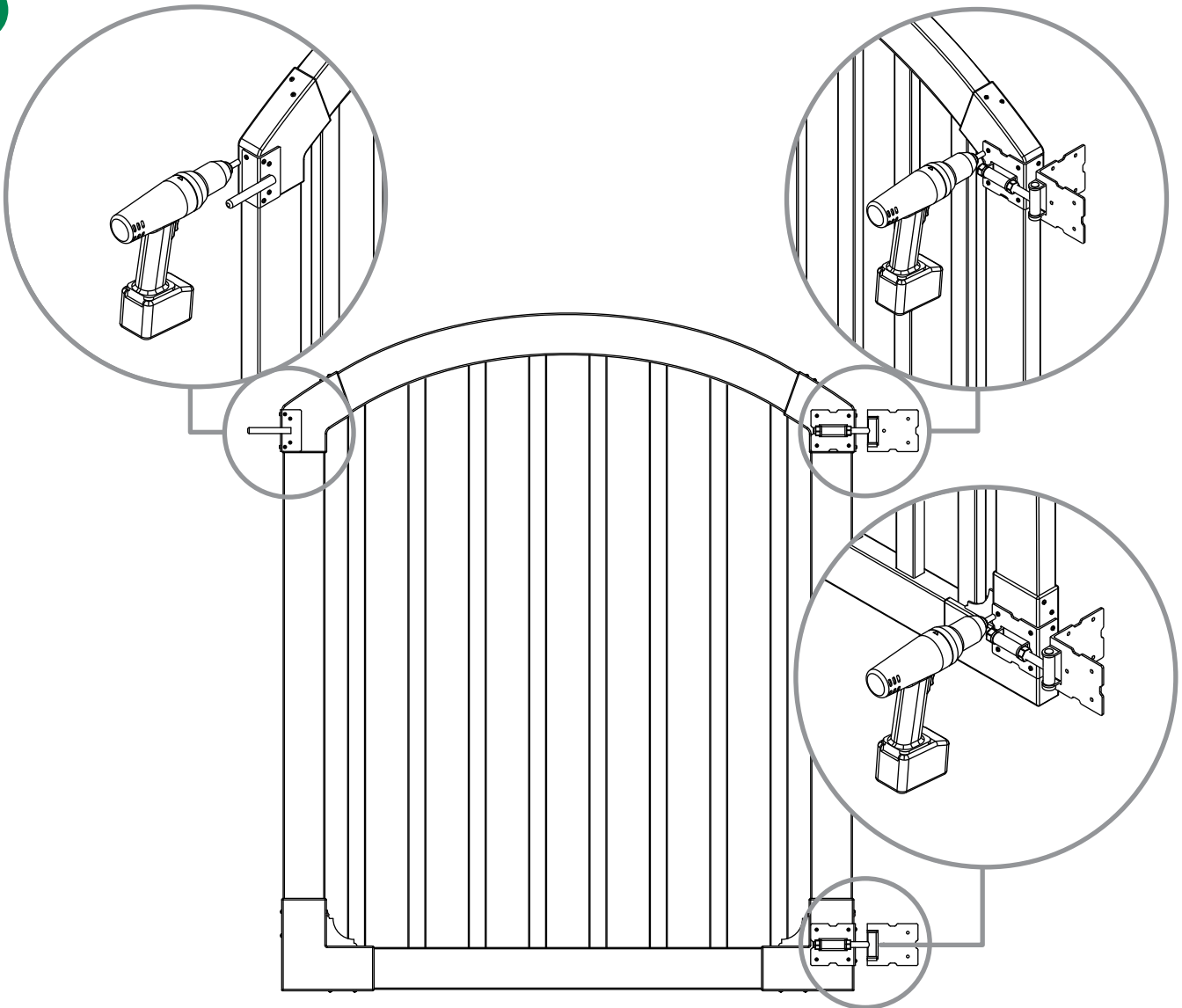
A - Screw into brackets as necessary

For more information, contact us at 1 877-778-5733.

STEP 4

**Fasten Gate Hinges
& Gate Latch**

A



For swimming and other child safety gates, most safety standards specify:

- a) Your fence height needs to be between 4' and 6' high minimum*
- b) Your gate needs to open outwards away from the pool*
- c) Latch releasing mechanism to be minimum 54" off the ground.*

***The Plain Jane gate will require a specialized latching system to meet pool code. Use MagnaLatch Top Pull Hardware (not included) and Captain Morgan Post Caps Only. Magna Latch Top Pull Code is # MLTPS2BGA.**

**Always confirm these and other requirements with the appropriate authorities in your area. Code will change from one location to another across the country.*

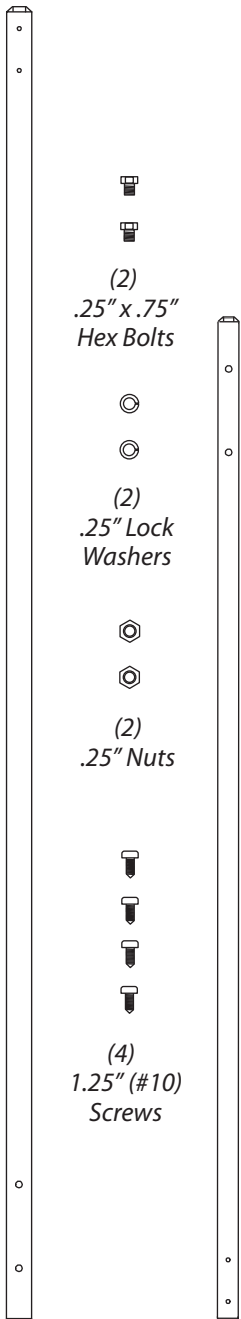
A - Fasten gate hinges and gate latch onto the gate brackets with SHORT screws

For more information, contact us at 1 877-778-5733.

STEP 5

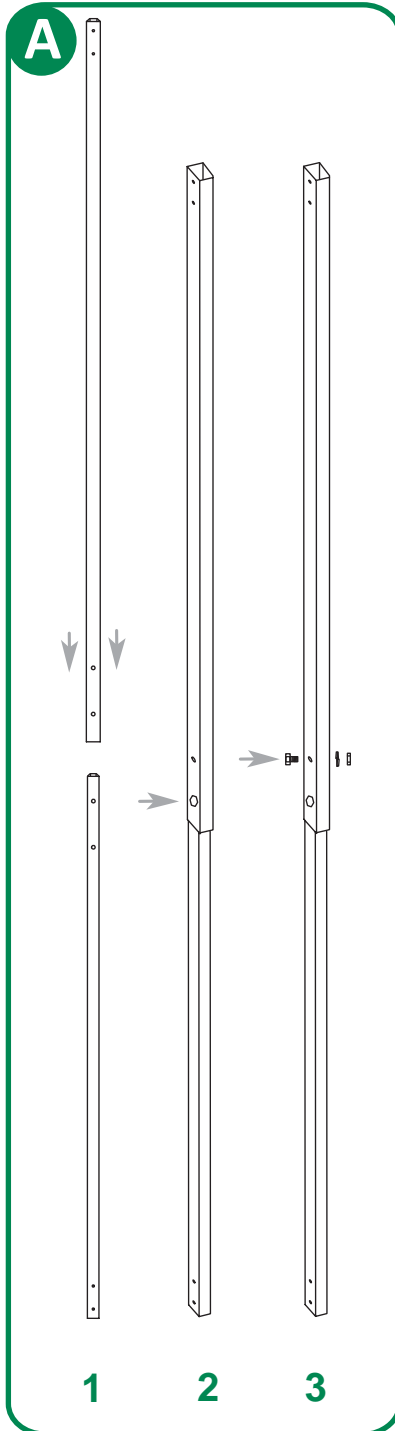
Assemble & Fasten Gate Brace

Gate Brace Parts

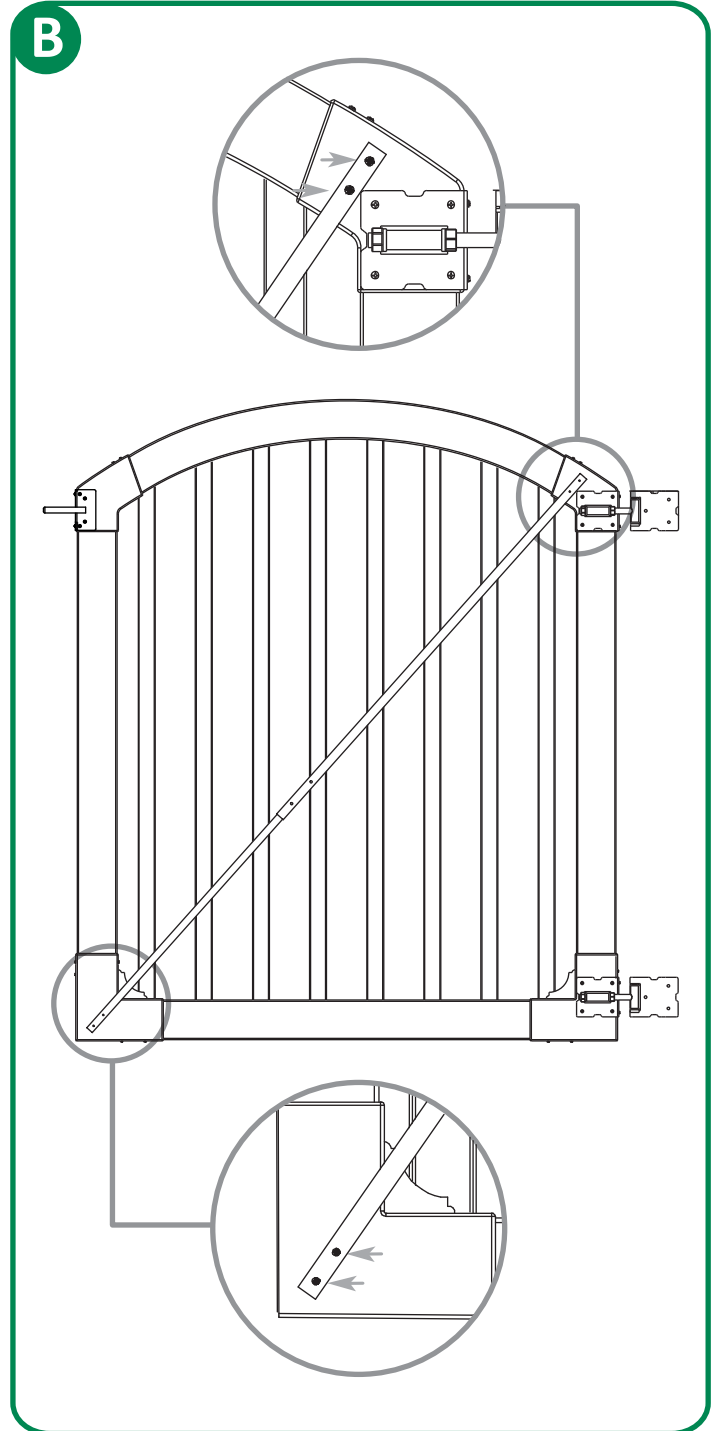


Top Bar

Bottom Bar



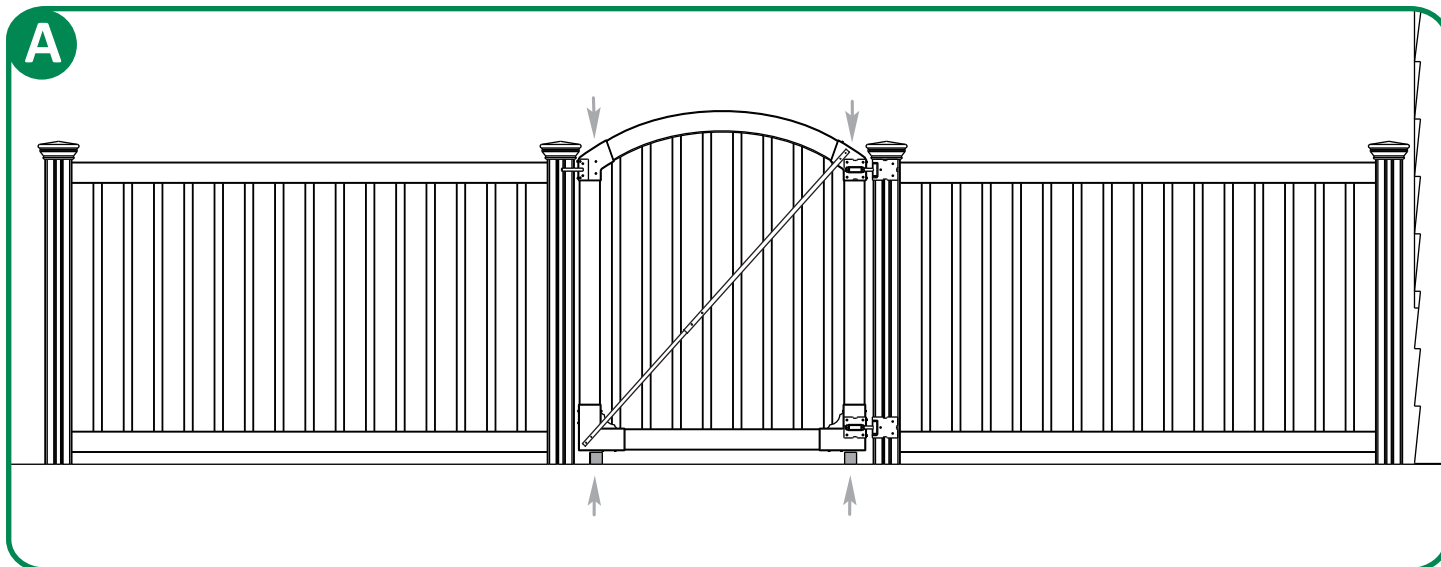
A - Assemble gate brace with bolts, washers and nuts as necessary.



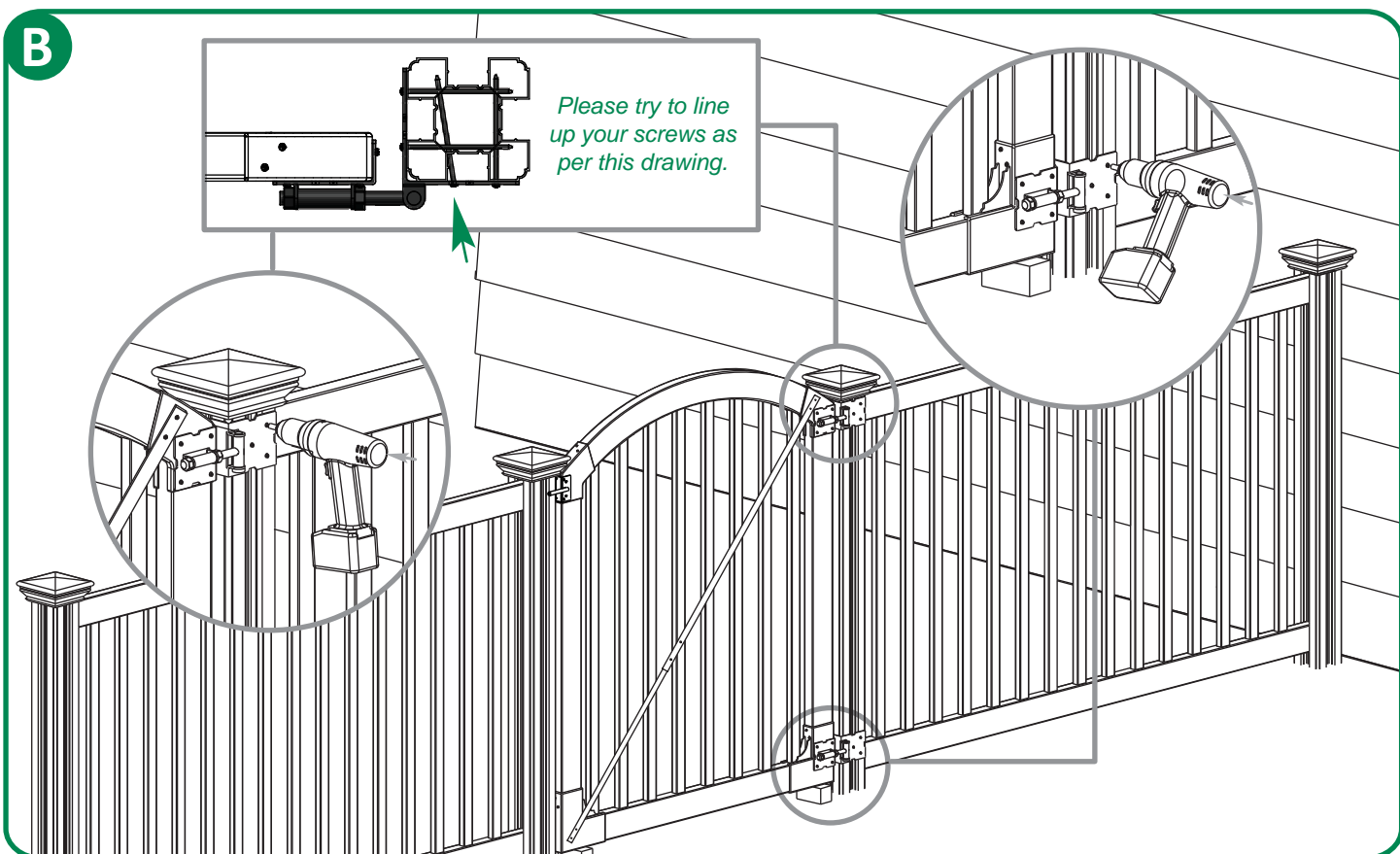
B - Ensure that gate is square, then screw bracing into place.

STEP 6

**Position, Adjust & Align Gate/
Secure Hinges to Posts**



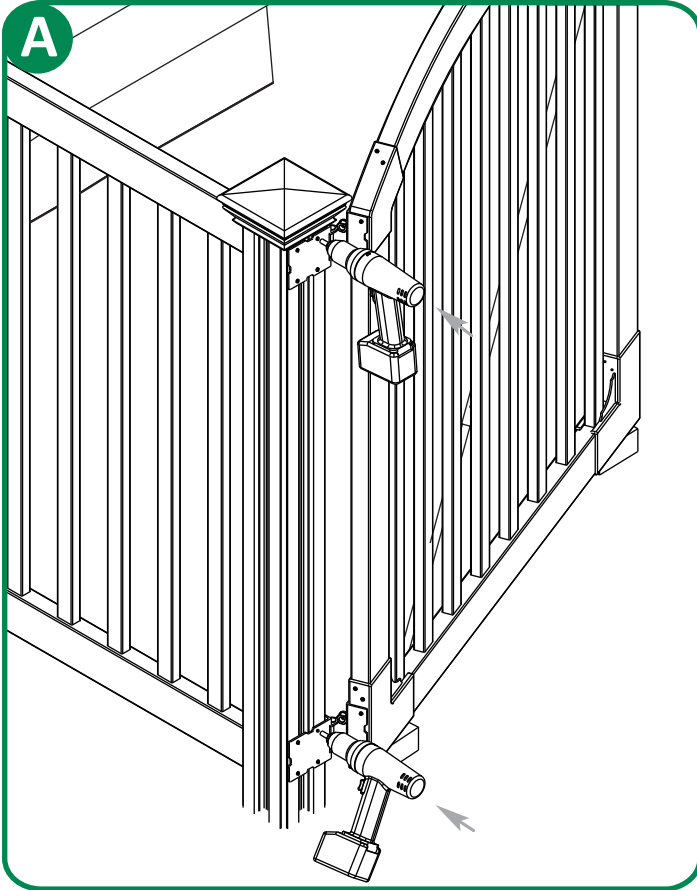
A - Use temporary spacers or blocks to rest the gate on during alignment and installation



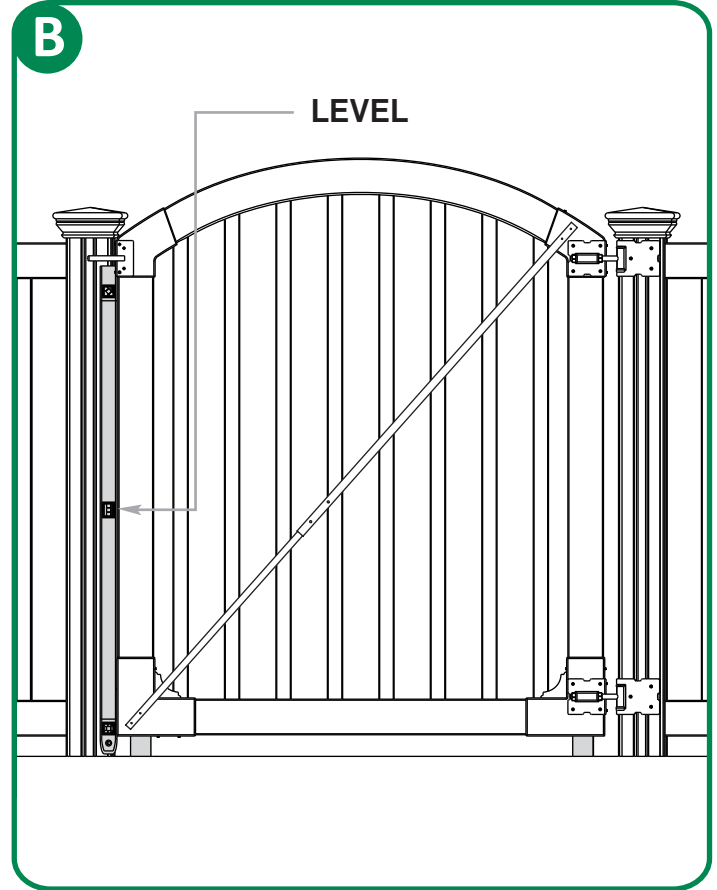
B - Fasten hinges to posts with LONG screws

For more information, contact us at 1 877-778-5733.

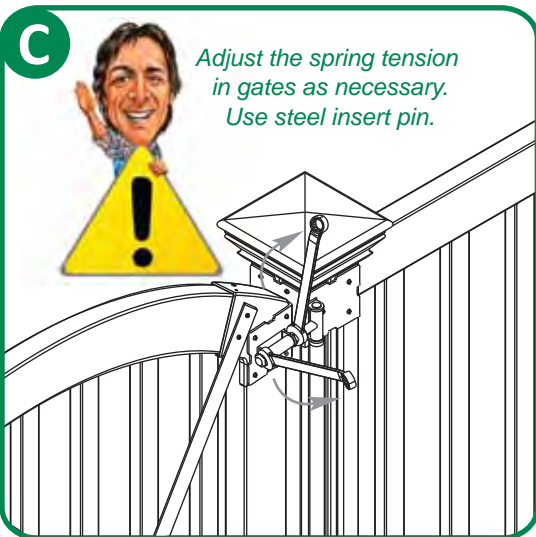
STEP 7 Level Gate & Adjust Hinges



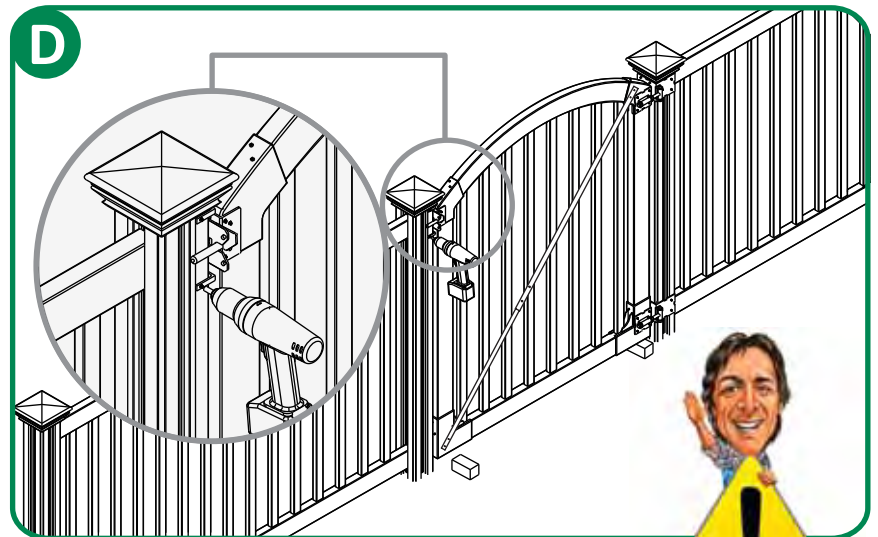
A - Fasten gate hinges accordingly



B - Check for level, fit and function to latching post

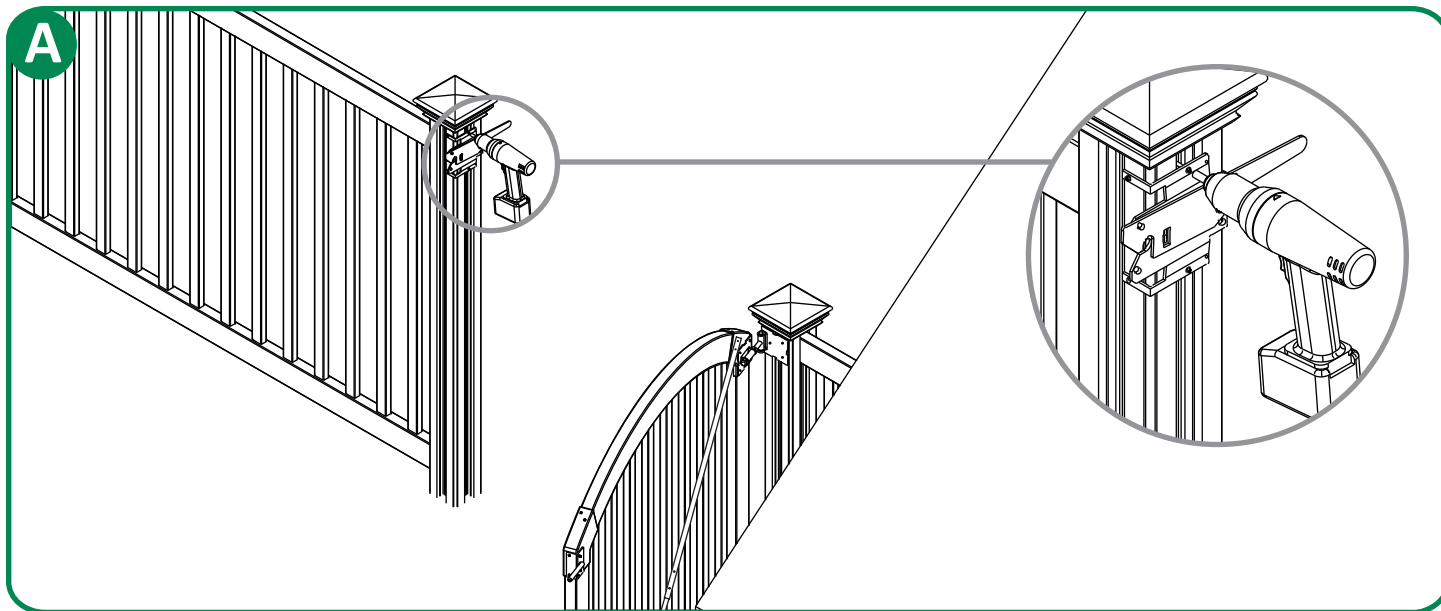


C - Hinges can be adjusted moderately to bring gate into level alignment with post



Latch is designed for left and right hand applications. Temporarily remove the spring, bolt and reverse paddle portion as necessary.

STEP 8 Align & Install Latch



A - Align and fasten the gate latch catch to fit and function with the gate finger.

