

POST MOUNT OPTIONS

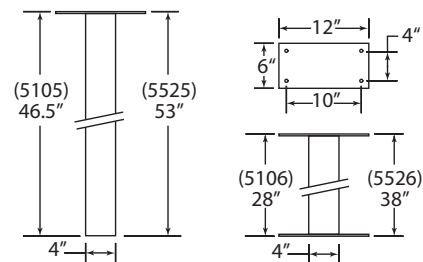
This table provides a more detailed listing of the posts that are available for our Post Mount and Oasis Locking Mailboxes. If you have any questions about our mailboxes or posts, please call 800-464-7491.



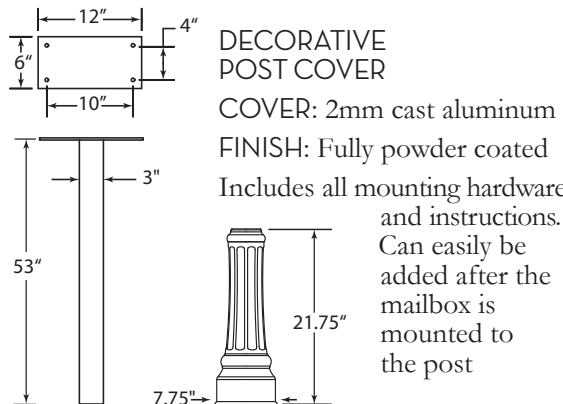
	Item No.	Standard Post In-Ground Mount 5105	Standard Post Surface Mount 5106	Standard Post In-Ground Mount 5525	Standard Post Surface Mount 5526	Basic Post In-Ground Mount 7505	Basic Post & Decorative Cover Set 7507	Decorative Post 5515	Decorative Post Side Mount 6215	Grande Post 5565	4x4 Post Adapter 7530
Coronado	5504 5505 5506 5507			●	●	●	●	●	●	●	●
Bellevue	5501 5502 5503			●	●	●	●	●	●	●	●
Avalon	5581 5582			●	●	●	●	●	●	●	●
Fairfield	7501 7502			●	●	●	●	●	●		●
Geneva	6700	●	●	●	●						●
Oasis	5100	●	●								●
Oasis, Jr.	6200	●	●			●	●		●		●
Oasis Drop Box	5103	●	●								●

POST MATERIAL AND SIZE SPECIFICATIONS

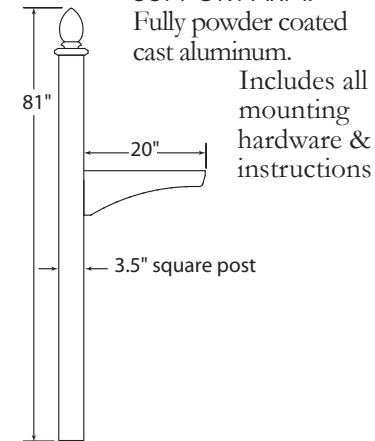
STANDARD POST
IN-GROUND (5525, 5105)
SURFACE MOUNT (5526, 5106)
 POST: 2mm (14 gauge) galvanized steel tube
 SUPPORT PLATE(S): 1/4" galvanized steel welded to post
 FINISH: Fully powder coated
 Includes all mounting hardware & instructions (concrete anchors not included)



BASIC POST ONLY IN-GROUND (7505)
BASIC POST WITH DECORATIVE COVER (7507)
 POST: 2mm (14 gauge) galvanized steel
 SUPPORT PLATE(S): 1.2mm galvanized steel plate
 FINISH: Fully powder coated
 Includes all mounting hardware & instructions



DECORATIVE POST (5515)
 POST: Fully powder coated extruded aluminum
 FINIAL: Fully powder coated die cast aluminum
 SUPPORT ARM: Fully powder coated cast aluminum.
 Includes all mounting hardware & instructions



GRANDE POST (5565)
 POST: 3.5mm (10 gauge) galvanized steel tube
 BASE & FINIAL: Die cast aluminum
 SUPPORT ARM: Die cast aluminum designed for variable height mounting
 Includes all mounting hardware & instructions (concrete anchors not included)

