

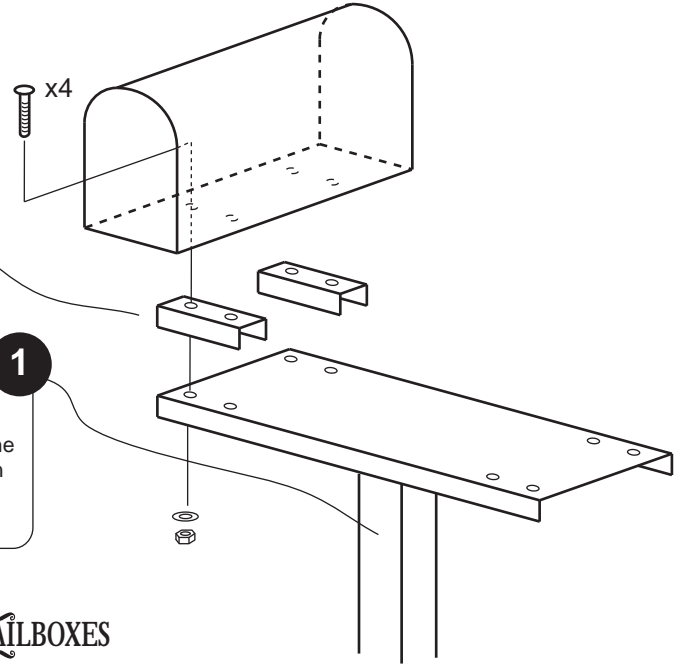
Coronado to Oasis Spreader Hardware Conversion Packet (5540)

Thank you for purchasing this spreader plate accessory for your premium Coronado Mailboxes. We know you'll be satisfied with the years of service it will provide. If you have any questions about how to mount or use this accessory, or if you need any replacement parts, please call us directly at (800) 464-7491 or contact us at www.architecturalmailboxes.com.

Mounting your Coronado Mailbox on an Oasis Spreader Plate

2
Assemble your Coronado Mailboxes to the spreader plate as shown, using the hardware included with this conversion packet. Make sure the channel spacers are positioned with the flat side up.

1
Mount the spreader plate to the top of the post as described in the spreader plate instructions.



ARCHITECTURAL MAILBOXES