

Side Support Bracket Installation (Models 5512 and 5514)

Thank you for purchasing this accessory for your premium Coronado Mailboxes. We know you'll be satisfied with the years of service it will provide. If you have any questions about how to mount or use this accessory, or if you need any replacement parts, please call us directly at (800) 464-7491 or contact us at www.architecturalmailboxes.com.

Mounting your Mailboxes Using the Side Support Brackets

Using the long carriage bolts, secure the side support brackets to the post. Make sure the carriage bolts are inserted into the square holes of the post. Secure all 4 carriage bolts before going to step 2.

Press the nut caps onto the nuts.

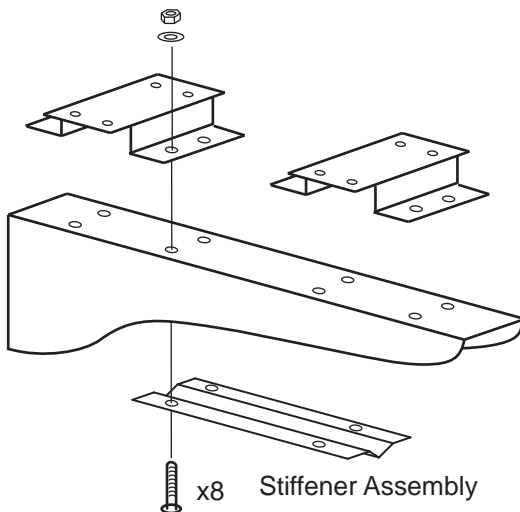
1

x4

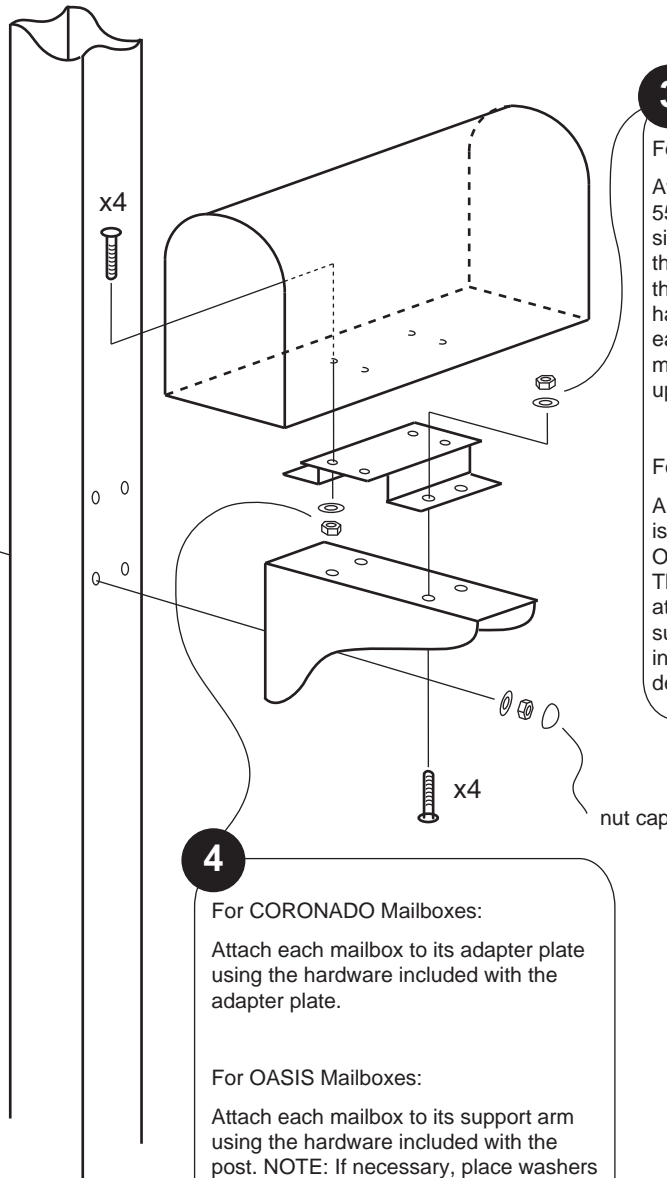
2

For Side Support Bracket for One Mailbox (item 5512), skip this step and go to step 3.

For Side Support Bracket for Two Mailboxes (item 5514), attach the Bracket Stiffener to the Bracket using the same bolts as used in Step 3, as shown below.



x8 Stiffener Assembly



3

For CORONADO Mailboxes:

Attach the adapter plate (item 5530, not included) to the side support bracket using the hardware included with the adapter plate. You should have one adapter plate for each mailbox you intend to mount. Insert the bolts upward as shown.

For OASIS Mailboxes:

An adapter plate (item 5530) is not necessary for the Oasis Mailbox installation. The Oasis Mailbox may be attached directly to the support arm using the included hardware as described in Step 4.

4

For CORONADO Mailboxes:

Attach each mailbox to its adapter plate using the hardware included with the adapter plate.

For OASIS Mailboxes:

Attach each mailbox to its support arm using the hardware included with the post. NOTE: If necessary, place washers BETWEEN the support arm and the bottom of the Oasis Mailbox at the outermost mounting holes to ensure level mounting.

