



✉ 33 West Beaver Creek Road Richmond Hill
Ontario Canada L4B 1L8

☎ 800.660.5391

📄 800.660.5390

✉ info@eurofase.com

🌐 www.eurofase.com

GEMINI , KEEPSAKE BOX

Product Specifications

Model No.: 13672
 Height: 6.5"
 Length: 7.13"
 Est. Shipping Weight: 3.325665 lbs

Options Available

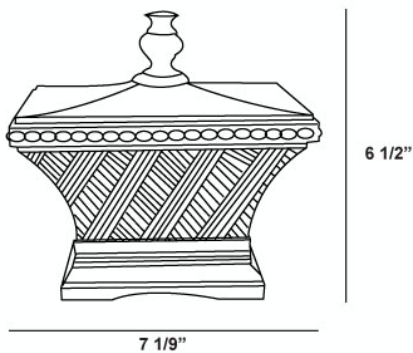
ITEM CODE	FINISH	SHADE
13672-010	copper	n/a

Colour / Shades Available

FINISH	SHADE
copper	n/a



Illustrious aged European influence is self evident in this understated family. Aged copper and silver tones present themselves in a tri-pillar stand, and is accented by a crosshatched grooved edging. The tasteful taupe shade has a weaved base that casts a wider glow - the luxury radiates effortlessly.



Project Information

Job Name: _____ Date: _____ Type: _____

Comments: _____