




✉ 33 West Beaver Creek Road Richmond Hill
Ontario Canada L4B 1L8
☎ 800.660.5391
📠 800.660.5390
✉ info@eurofase.com
🌐 www.eurofase.com

DOLANTE , 1-LIGHT WALL SCONCE



Product Specifications

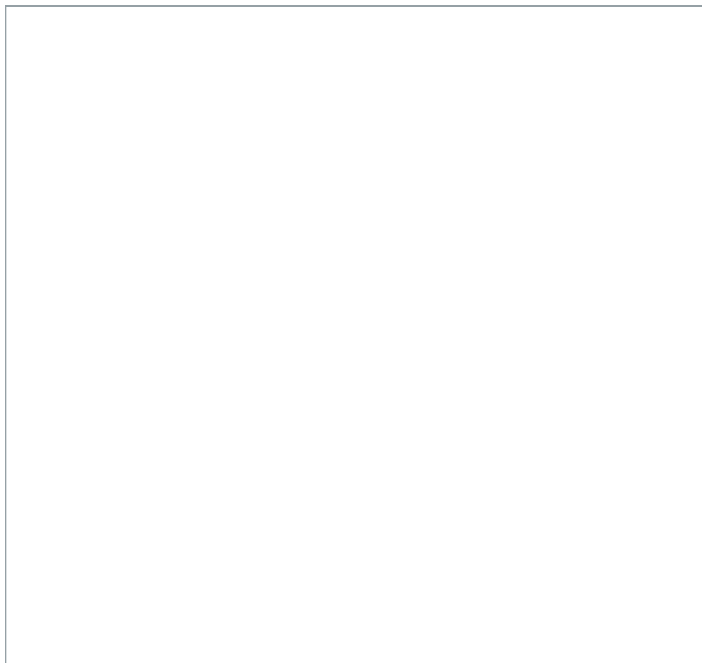
Collection: Illuminations
Model No.: 19417
Height: 7.75"
Extension: 3.5"
Length: 4.5"
Est. Shipping Weight: 2.77475 lbs
No. of Bulbs: 1 Inc.
Bulb Wattage: 40 watts
Bulb Type: G9 
Bulb Base: G9
Bulb Voltage: 120 volts

Options Available

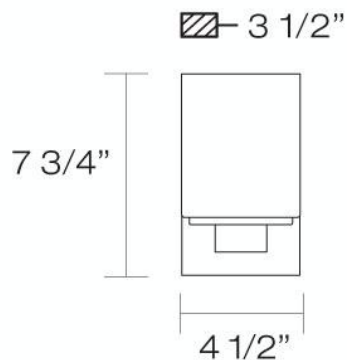
ITEM CODE	FINISH	SHADE
19417-028	satin nickel	opal
19417-011	chrome	opal

Colour / Shades Available

FINISH	SHADE
satin nickel	 opal
chrome	 opal



The Marond family is a classic Eurofase design, from its chic frosted shades to its square matte arm bar. The sharp angles are softened at the edges, but retain the overall refreshing and crisp fashion.



Project Information

Job Name: _____ Date: _____ Type: _____
Comments: _____