




✉ 33 West Beaver Creek Road Richmond Hill
Ontario Canada L4B 1L8
☎ 800.660.5391
📠 800.660.5390
✉ info@eurofase.com
🌐 www.eurofase.com



ARISTOCRAT , 1-LIGHT TABLE LAMP

Product Specifications

Collection: Illuminations
Model No.: 12412
Height: 29"
Length: 14"
Est. Shipping Weight: 9.46 lbs
No. of Bulbs: 1
Bulb Wattage: 60 watts
Bulb Type: A19 
Bulb Base: E26
Bulb Voltage: 120 volts

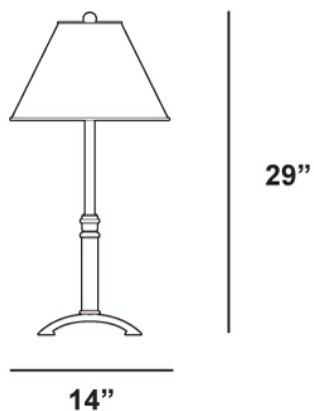
Options Available

ITEM CODE	FINISH	SHADE
12412-013	chrome	leather

Colour / Shades Available

FINISH	SHADE
chrome	<input checked="" type="radio"/> leather

Dark leather shades and a matching base are offset by the chrome stand in this cultured and decorous piece befitting any noble setting.



ILLUMINATIONS

Project Information

Job Name: _____ Date: _____ Type: _____
Comments: _____