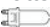




✉ 33 West Beaver Creek Road Richmond Hill
 Ontario Canada L4B 1L8
 ☎ 800.660.5391
 📠 800.660.5390
 📧 info@eurofase.com
 🌐 www.eurofase.com

TALO , 1-LIGHT WALL SCONCE

Product Specifications

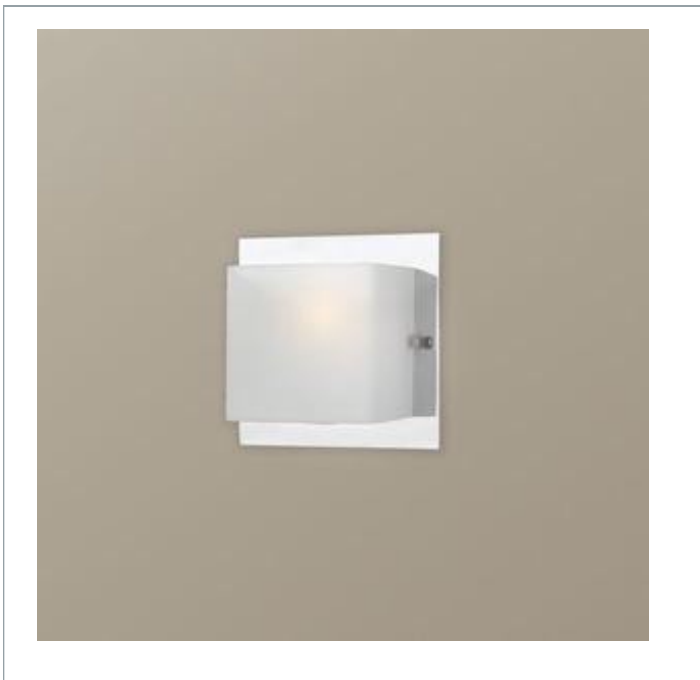
Collection: Illuminations
 Model No.: 19424
 Extension: 4"
 Width: 5.13"
 Length: 5.13"
 Est. Shipping Weight: 1.6148 lbs
 No. of Bulbs: 1 Inc.
 Bulb Wattage: 40 watts
 Bulb Type: G9 
 Bulb Base: G9
 Bulb Voltage: 120 volts

Options Available

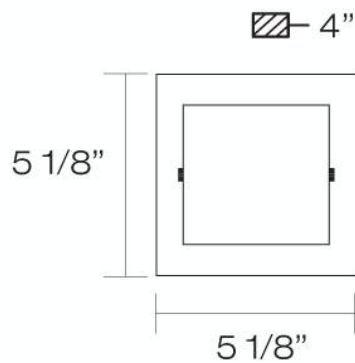
ITEM CODE	FINISH	SHADE
19424-019	chrome	opal
19424-026	satin nickel	opal

Colour / Shades Available

FINISH	SHADE
chrome	 opal
satin nickel	 opal



Projection and perspective are the definitive characteristics in the Talo family. Outwardly extended shades provide a range of space for the clarifying light to softly penetrate. The opacity of the glass softens the look, while the wide open bases allow light to diffuse freely.



Project Information

Job Name: _____ Date: _____ Type: _____
 Comments: _____