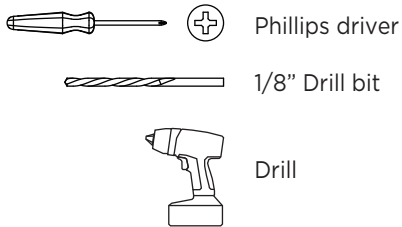




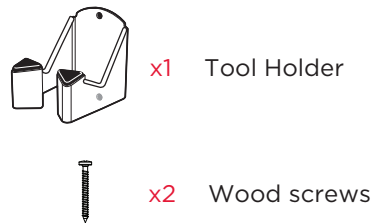
SECUREHOLD TOOL HOLDER | SHK-1B INSTRUCTIONS

WWW.RACORSTORAGESOLUTIONS.COM

TOOLS REQUIRED



PARTS LIST

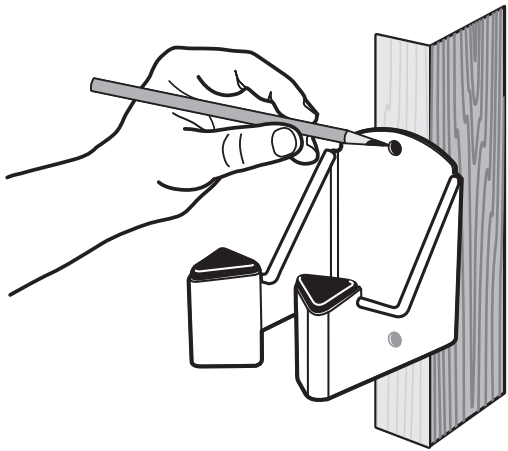


WARNING

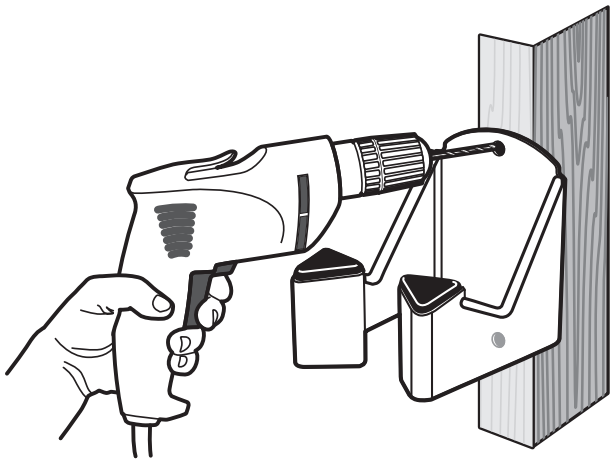
Please read installation instructions carefully prior to installing. Before using the product thoroughly test the fully-weighted product (with equipment in place) to ensure the product has been installed properly. Do not allow children to play on product. ITW Brands is not responsible for any damage resulting from improper installation, overloading or product failure.

35% Stronger than leading hooks rated for 50 lbs. Rating based on installation into wood stud using supplied screws and load evenly distributed.

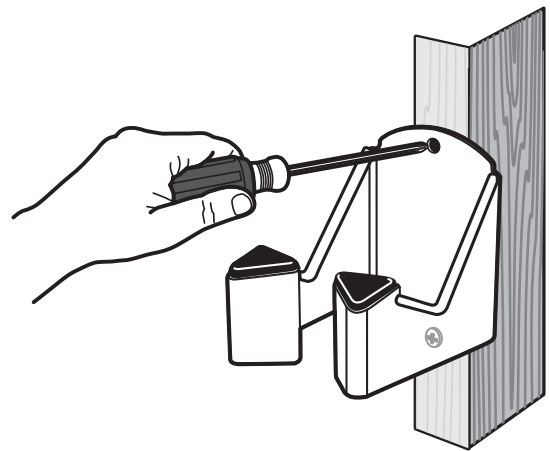
1 Mark the location.



2 Pre-drill two 1/8" holes.



3 Install with two screws provided.



Limited Warranty: These products are sold "as is" without any express or implied warranties. ITW Brands' sole liability, if any, shall be to replace this product or refund the purchase price. The performance of these products is subject to variable conditions and maximum load ratings are shown for comparison purposes only.

SHK-1B

Made in China

ITW Brands, A division of Illinois Tool Works Inc.
955 National Parkway, Suite 95500
Schaumburg, IL 60173
800-783-7725

www.RacorStorageSolutions.com
Email: racorc@itwbrands.com

© 2012 Illinois Tool Works Inc.
Racor and Racor logo are registered trademarks of Illinois Tool Works Inc.

racor[®]
HOME STORAGE PRODUCTS

Thank you for purchasing this product. Racor storage and organizational solutions will inspire and put you back in control of your space. Racor has the largest variety of solutions to organize and store bikes, sports equipment, lawn and garden supplies, bulky items like ladders and totes, and clutter items like tools. Please visit www.RacorStorageSolutions.com for other great organizational products.