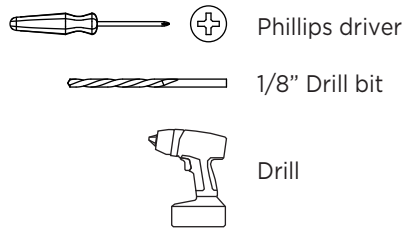


DOUBLE SKI HANGER | PS-2R INSTRUCTIONS

WWW.RACORSTORAGE SOLUTIONS.COM

TOOLS REQUIRED

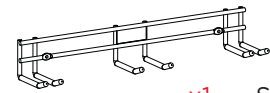


Phillips driver

1/8" Drill bit

Drill

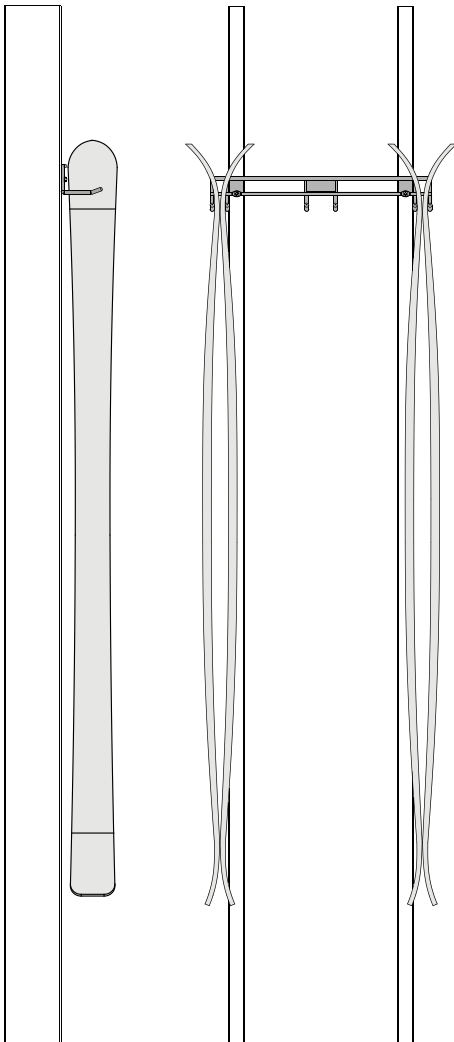
PARTS LIST



x1 Ski rack



x2 2" (5 cm) wood screws



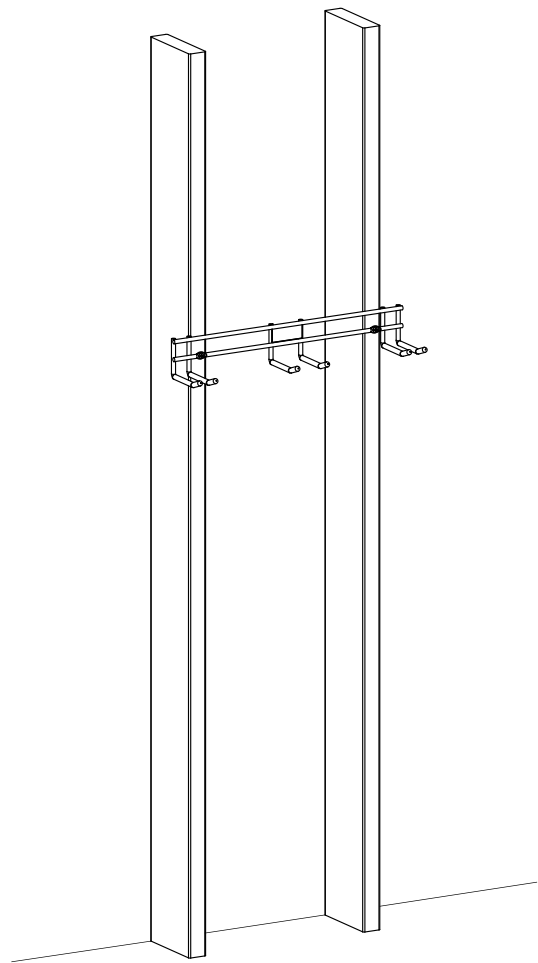
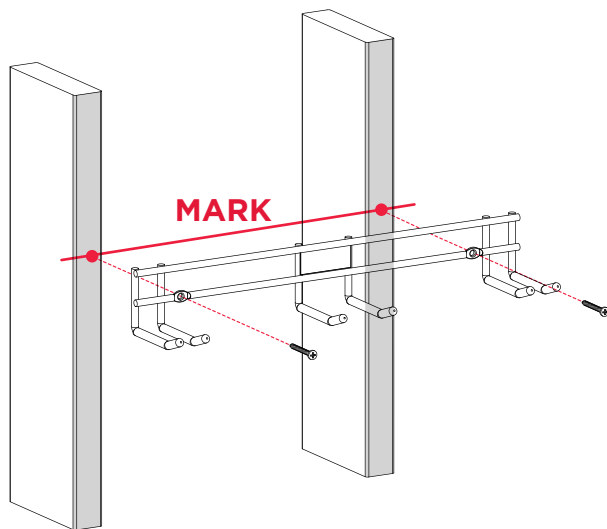
WARNING

Please read installation instructions carefully prior to installing. Before using the product thoroughly test the fully-weighted product (with equipment in place) to ensure the product has been installed properly. Do not allow children to play on product. ITW Brands is not responsible for any damage resulting from improper installation, overloading or product failure.

- 1 This rack has been designed to be installed into studs 16" on center.

Determine the height by taking your longest pair of skis, placing them into rack while holding rack against wall.

Make a mark at this level through screw holes.



- 2** Both wood screws must be fastened into a vertical stud inside the wall.

Mark holes through rack mounting plate and drill 1/8" pilot holes. Install screws into vertical stud. Tighten screws firmly.

A USING THE SKI RACK

Place skis so the bottoms of both are facing each other. Interlock the brakes on the skis so the two skis are joined together with one brake over the other one.

Place the joined skis between the double hook and the ski tips will wedge into position holding the skis. Poles can be hung by handle straps on the single hooks.

Weight limit: 40 lbs.

Limited Warranty: These products are sold "as is" without any express or implied warranties. ITW Brands' sole liability, if any, shall be to replace this product or refund the purchase price. The performance of these products is subject to variable conditions and maximum load ratings are shown for comparison purposes only.

PS-2R

Made in China

ITW Brands, A division of Illinois Tool Works Inc.
955 National Parkway, Suite 95500
Schaumburg, IL 60173
800-783-7725

www.RacorStorageSolutions.com
Email: racorcs@itwbrands.com

© 2011 Illinois Tool Works Inc.
Racor and Racor logo are registered trademarks of Illinois Tool Works Inc.



Thank you for purchasing this product. Racor storage and organizational solutions will inspire and put you back in control of your space. Racor has the largest variety of solutions to organize and store bikes, sports equipment, lawn and garden supplies, bulky items like ladders and totes, and clutter items like tools. Please visit www.RacorStorageSolutions.com for other great organizational products.