

TECHNICAL DATA SHEET

**MODELS: PC932A, PC932A-S, PC932A-W
PC932B, PC932B-S, PC932B-W
PC932C, PC932C-S, PC932C-W**

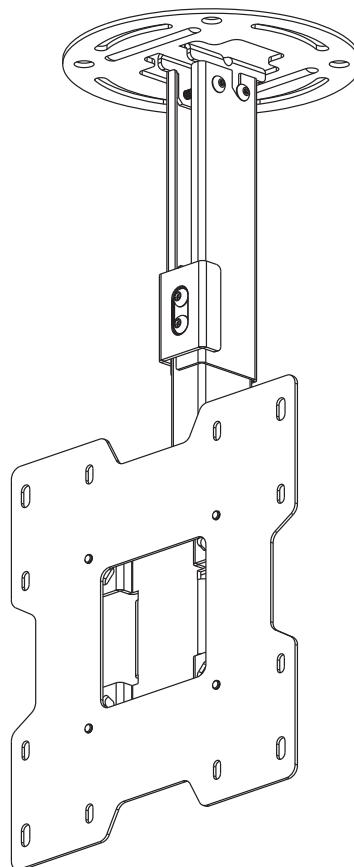
peerless®

**Paramount™ LCD Ceiling Mount
for 15" to 37" LCD Screens**

No wall space? No problem. This VESA® compliant LCD ceiling mount gets the TV up easily and offers an incredible range of viewing options. Installation is made simple with its one-, two-, three- design. Simply attach the ceiling plate, attach the mounting plate to the screen and hook-on the TV on to the mount – Done. This LCD TV mount delivers the ultimate in positioning options with its tilt and infinite swivel options for that ultimate flat panel viewing experience.

Features:

- VESA® 75, 100, 200 x100 and 200 x 200 mm compliant
- Three adjustable extension lengths:
 - PC932A models - 9.8" - 13.9"
 - PC932B models - 13.78" - 21.89"
 - PC932C models - 20.24" - 34.02"
- Adjustable tilt of +20/-5° with optional lock in 5° increments
- 360° of mountable adjustment for limitless screen placement opportunities
- Internal cable management within extension channels for clean, clutter-free appearance
- Safety catch designed into extension channels to ensure user and equipment safety
- Supports up to 80 lb LCD flat panel TVs



	Models		
	PC932A PC932A-S PC932A-W	PC932B PC932B-S PC932B-W	PC932C PC932C-S PC932C-W
Dimensions:			
Product Weight	4.56 lb (2.07 kg)	5.24 lb (2.38 kg)	6.33 lb (2.87 kg)
Shipping Weight	6.4 lb (2.90 kg)	6.85 lb (3.11 kg)	8.1 lb (3.67 kg)
Maximum Load Capacity	80 lb (36.3 kg)	80 lb (36.3 kg)	80 lb (36.3 kg)
Shipping Carton Dimensions	L= 12.0625" (306 mm)	12.0625" (306 mm)	19.375 (492 mm)
	W= 9.3125" (237 mm)	9.3125" (237 mm)	10 (254 mm)
	H= 4.25" (108 mm)	4.25" (108 mm)	4.375 (111 mm)

ARCHITECTS SPECIFICATIONS

The Ceiling Mount shall be Peerless models _____ and shall be located where indicated on the plans. It shall feature adjustable +20°/-5° tilt. It shall be constructed of heavy gauge cold rolled steel and finished with scratch resistant Black, Silver or White Fused Epoxy. Assembly and installation shall be done according to instructions provided by the manufacturer.

Peerless Industries, Inc.

3215 W. North Ave. Melrose Park, IL 60160
708-865-8870 800-865-2112 Fax 708-865-2941

www.peerlessmounts.com

ISSUED: 02-11-08 SHEET NO: 202-9579-1

©2008, Peerless Industries, Inc. All rights reserved.

All other brand and product names are trademarks or registered trademarks of their respective owners

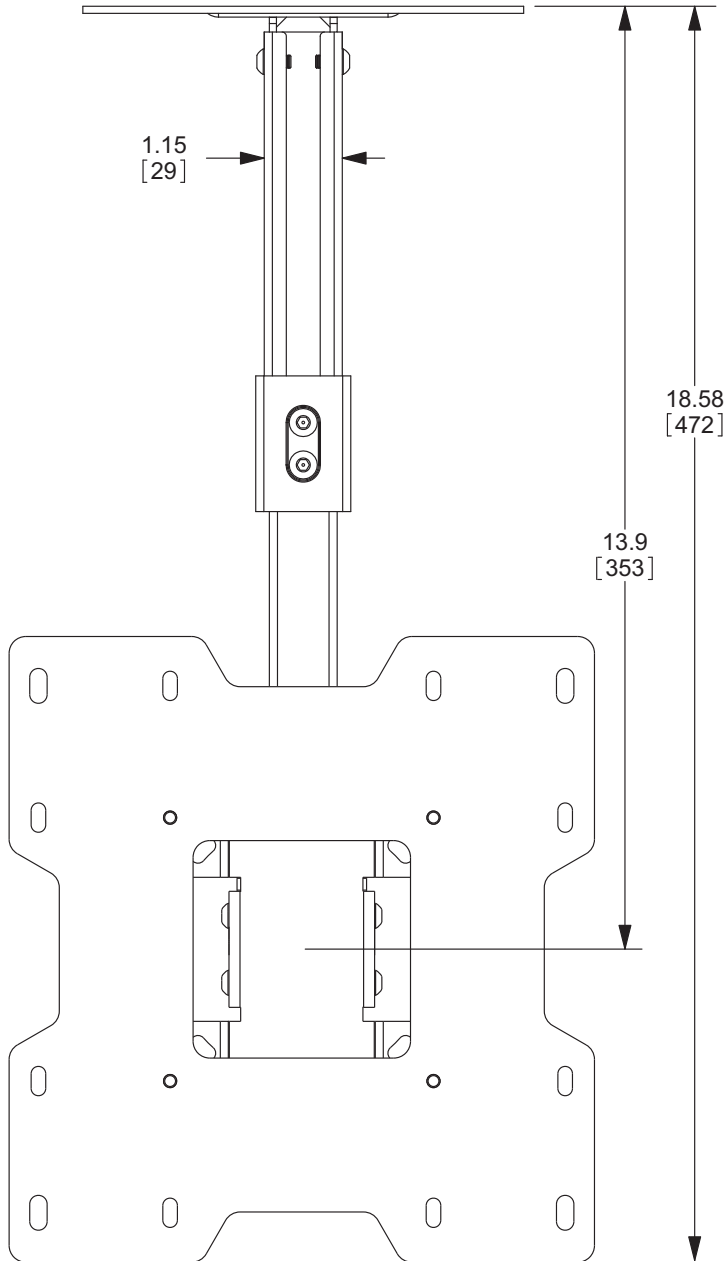
TECHNICAL DATA SHEET

**MODELS: PC932A, PC932A-S, PC932A-W
PC932B, PC932B-S, PC932B-W
PC932C, PC932C-S, PC932C-W**

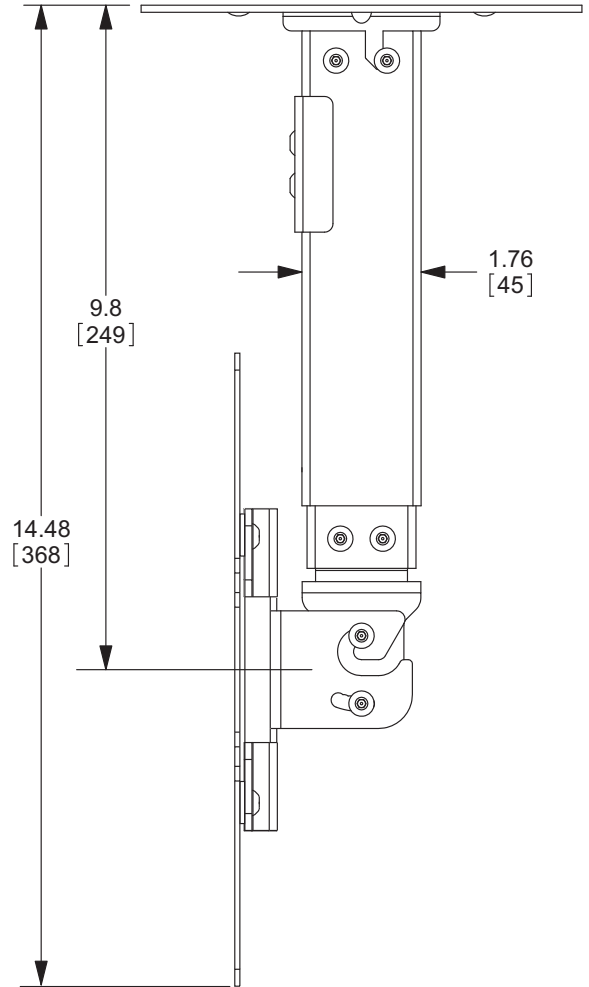
All dimensions = inch [mm]

PC932A Series

Front View
Extended



Side View
Retracted

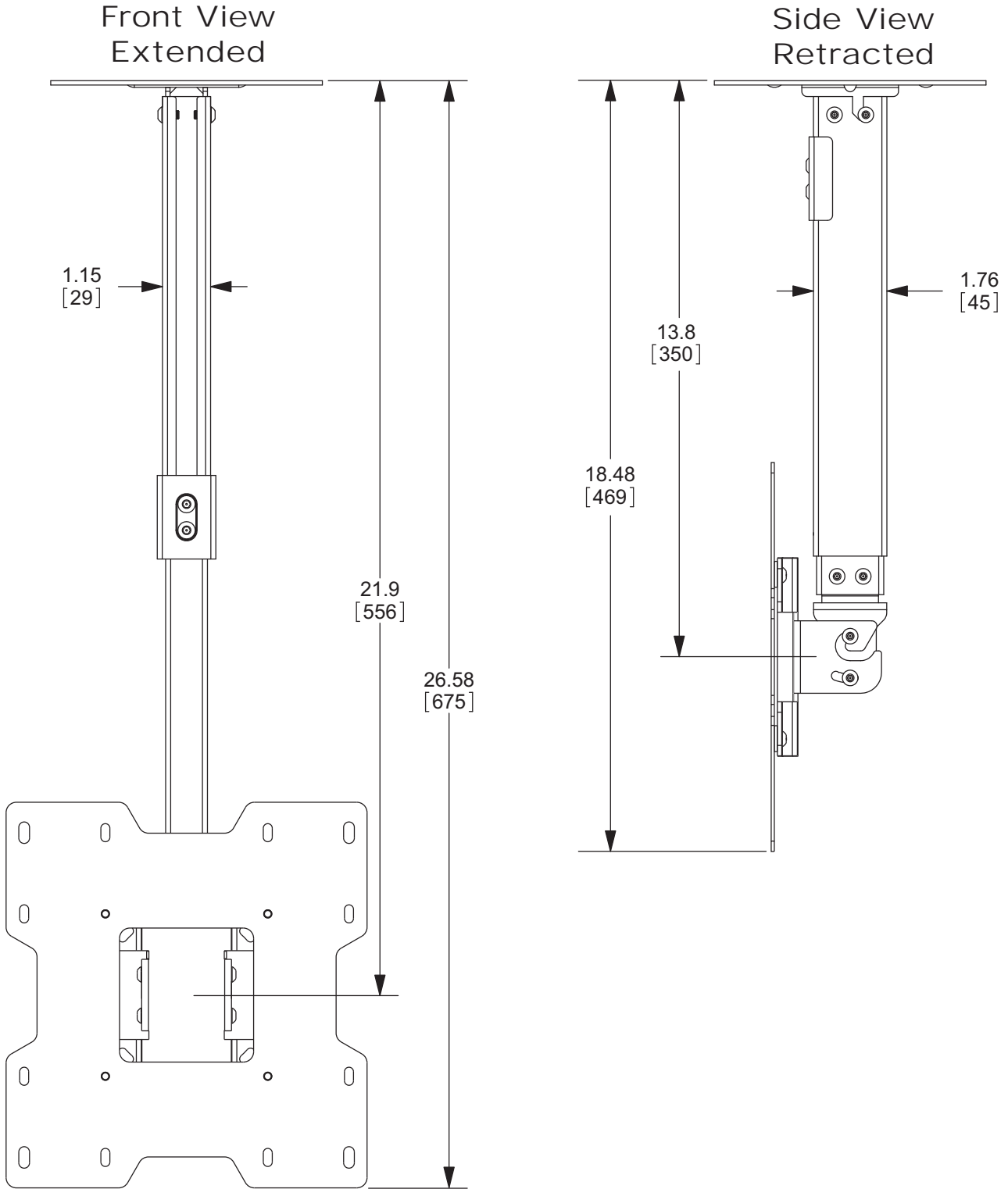


TECHNICAL DATA SHEET

**MODELS: PC932A, PC932A-S, PC932A-W
PC932B, PC932B-S, PC932B-W
PC932C, PC932C-S, PC932C-W**

All dimensions = inch [mm]

PC932B Series

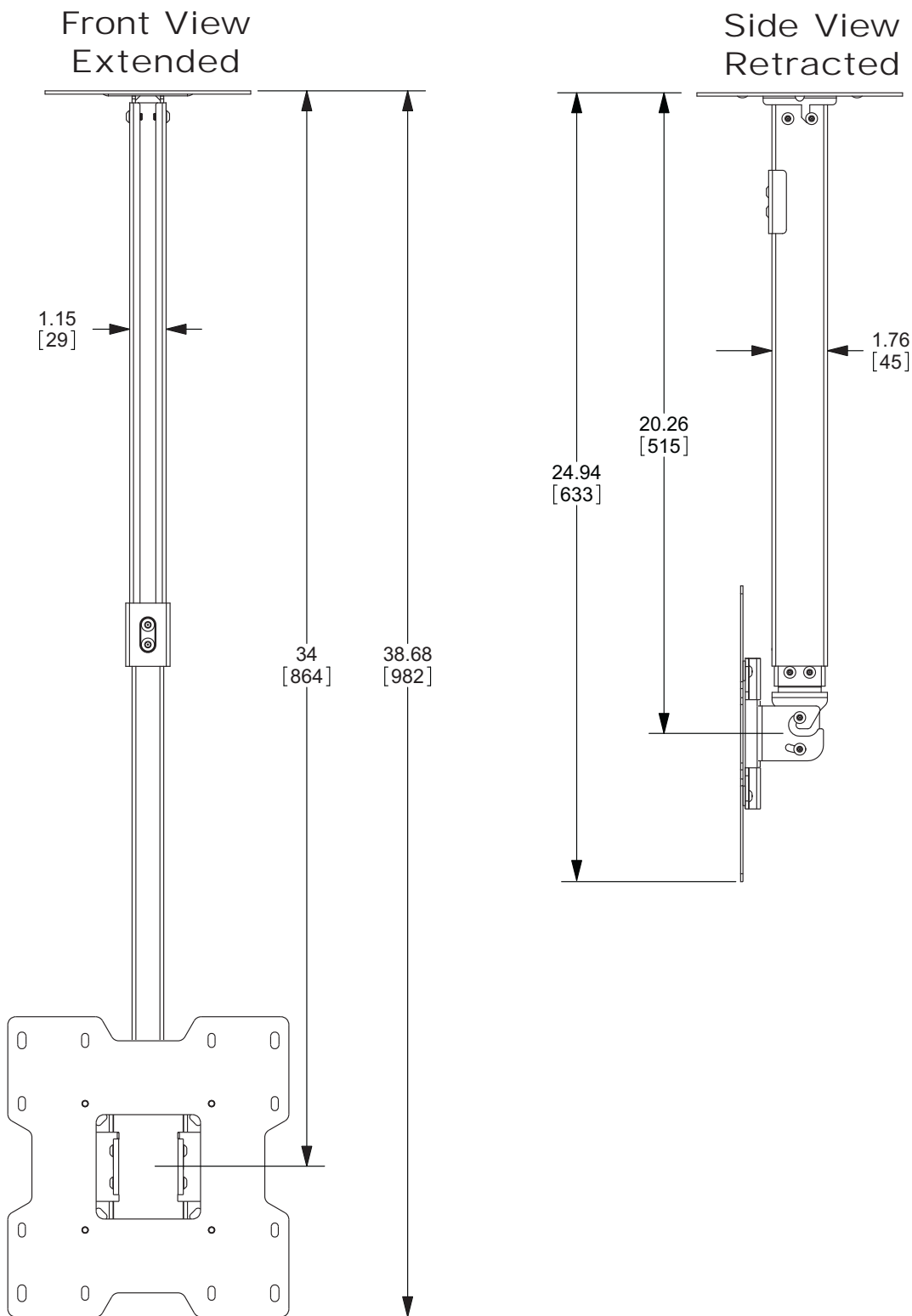


TECHNICAL DATA SHEET

**MODELS: PC932A, PC932A-S, PC932A-W
 PC932B, PC932B-S, PC932B-W
 PC932C, PC932C-S, PC932C-W**

All dimensions = inch [mm]

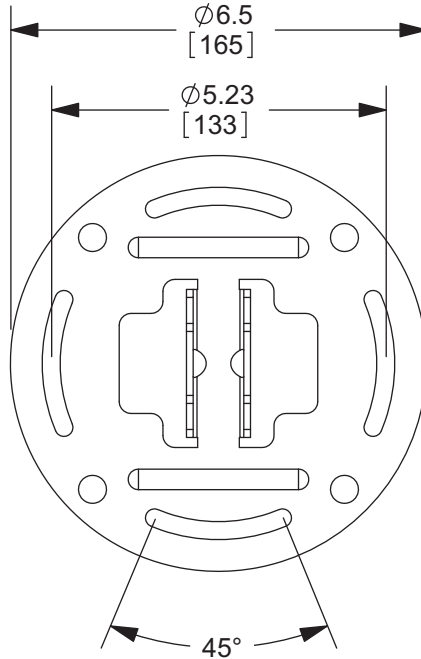
PC932C Series



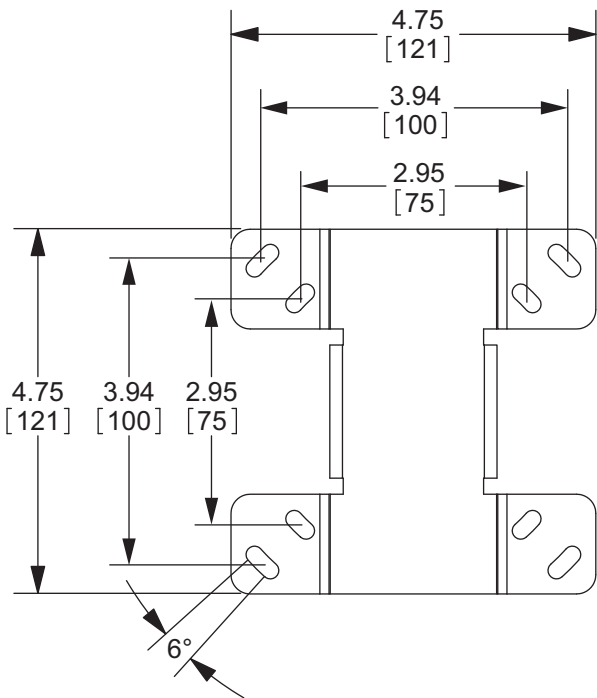
TECHNICAL DATA SHEET

**MODELS: PC932A, PC932A-S, PC932A-W
 PC932B, PC932B-S, PC932B-W
 PC932C, PC932C-S, PC932C-W**

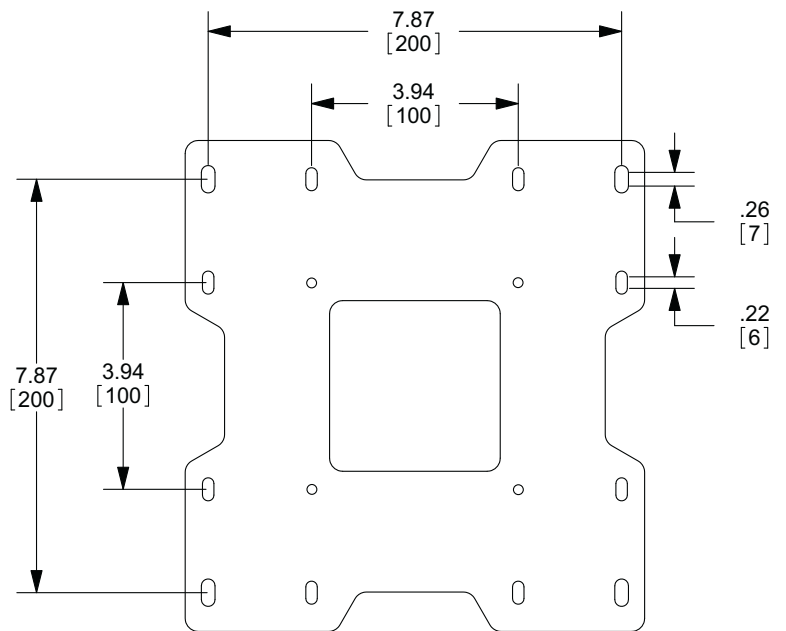
Ceiling Plate



VESA 75/100 Adapter Plate



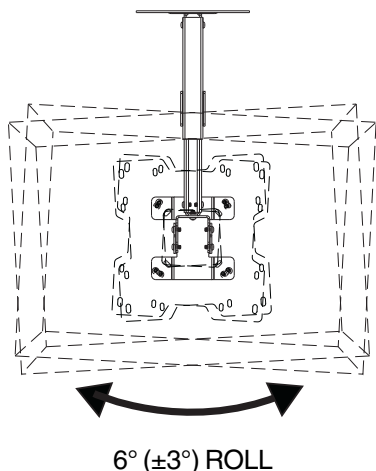
VESA 200 Adapter Plate



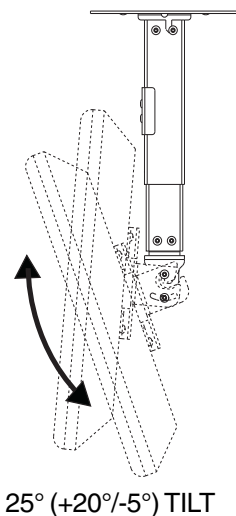
TECHNICAL DATA SHEET

**MODELS: PC932A, PC932A-S, PC932A-W
PC932B, PC932B-S, PC932B-W
PC932C, PC932C-S, PC932C-W**

**ROLL
BACK VIEW**



**TILT
SIDE VIEW**



**SWIVEL
BOTTOM VIEW**

