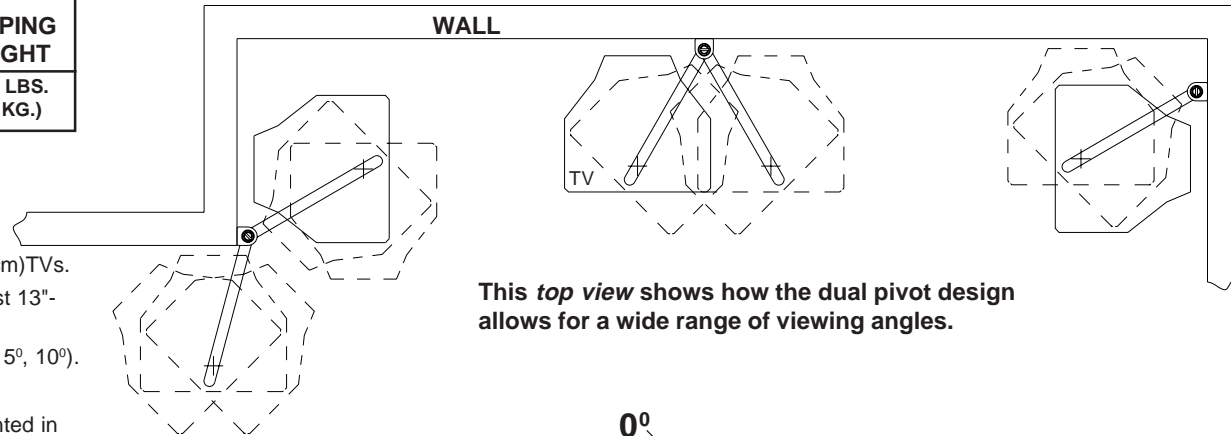


MODEL #	WEIGHT	SHIPPING WEIGHT
PM1327, PM 1327S, PM1327W	10.5 LBS. (4.8 KG.)	12.0 LBS. (5.5 KG.)



This top view shows how the dual pivot design allows for a wide range of viewing angles.

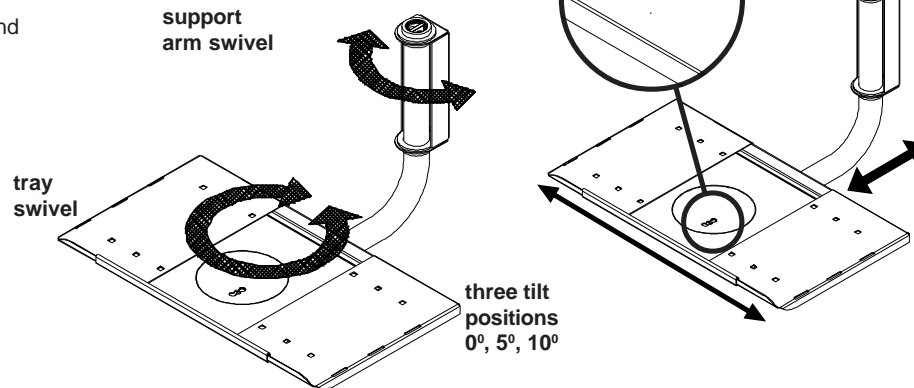
One model available for 13"-27"(33-69cm)TVs.
Adjustable TV tray and wall arm fits most 13"-27" TV's.

Support Tray has three tilt positions (0°, 5°, 10°).
Safety belt included.

Dual swivel feature allows TV to be pointed in almost any direction.

VCR mounting bracket (sold separately) model PM47/PM47S/PM47W attaches easily below the support tray.

Attachment hardware for wood stud walls and concrete walls provided.



See opposite side for specific dimensions.



THIS PRODUCT IS U.L. LISTED AND IS INTENDED FOR USE WITH U.L. LISTED TV'S AND MONITORS ONLY.

Architects Specifications:

The television mount shall be a Peerless model PM1327, PM 1327S, PM 1327W and shall be located where indicated on the plans. The finish shall be scratch resistant Black, Silver or White Fused Epoxy. The point of attachment must be to a wood stud, solid concrete, brick, or concrete block wall. The television mount shall be constructed primarily of heavy gauge cold rolled steel. It shall feature three tilt positions and dual swivel. Assembly and installation shall be done according to instructions provided by the manufacturer.

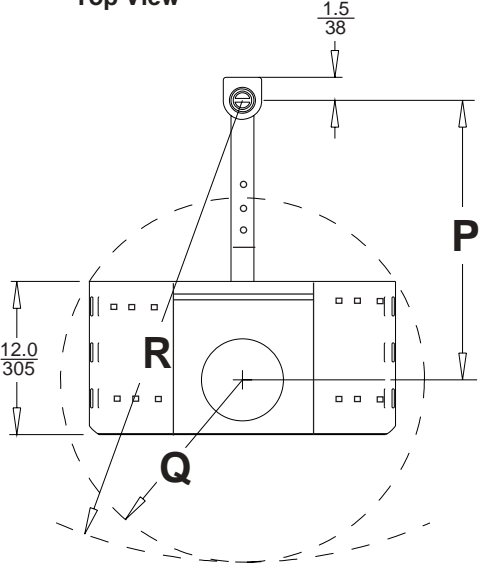
**TECHNICAL DATA SHEET
ADJUSTABLE TV WALL MOUNT**

peerless
Solid Solutions - Solid Support

Peerless Industries, Inc. 3215 W. North Ave.
Melrose Park, IL 60160
708-865-8870 800-865-2112 Fax 708-865-2941
www.peerlessindustries.com

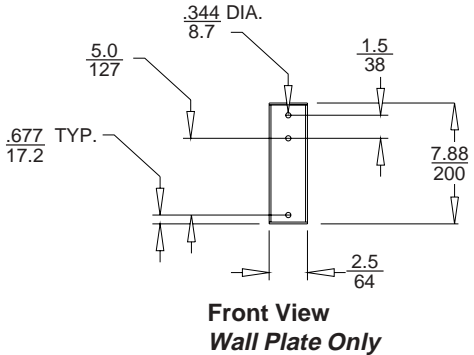
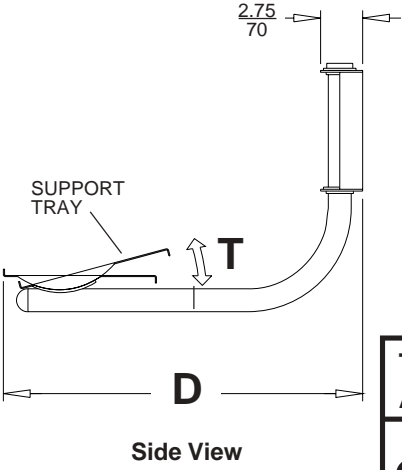
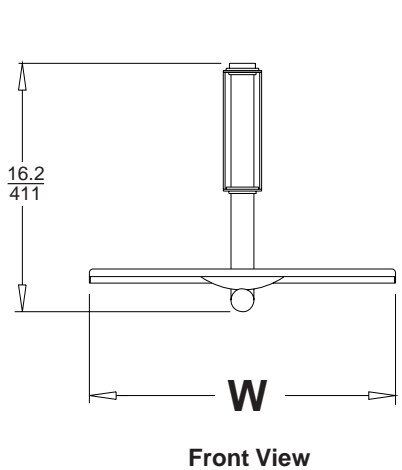
ISSUED: 05-16-00 SHEET NO:170-9507-2 12-17-02

Top View



All dimensions: $\frac{\text{inch}}{\text{mm}}$

DIMENSION RANGE	MODEL NUMBER
	PM1327, PM 1327S, PM 1327W for 13-27" (33-69cm) TVs
W	$\frac{14.0-25}{356-635}$ in. mm.
D	$\frac{19.5-24.8}{498-630}$
P	$\frac{13.4-18.5}{340-470}$
Q	$\frac{14.4-15}{366-381}$
R	$\frac{28.4-33.5}{721-851}$
T	0°, 5°, 10°
MAX. LOAD CAPACITY	$\frac{100}{45.5}$ lb. kg.



TECHNICAL DATA SHEET
ADJUSTABLE TV WALL MOUNT

peerless
Solid Solutions - Solid Support

Peerless Industries, Inc. 3215 W. North Ave.
Melrose Park, IL 60160
708-865-8870 800-865-2112 Fax 708-865-2941
www.peerlessindustries.com

ISSUED: 05-16-00 SHEET NO:170-9507-2 12-17-02

page 2 of 2