

TECHNICAL DATA SHEET - Articulating Dual-Arm with Vertical Adjustment for 42" - 71" Plasma and LCD Flat Panel Screens

peerless[®]
Solid Solutions - Solid Support™

MODELS: PLAV 70, PLAV 70-S, PLAV 70-UNL,
PLAV 70-UNL-S, PLAV 70-UNLP, PLAV 70-UNLP-S



Designed to handle the heaviest screens, the **PLAV 70** features dual-arm, all-steel construction that holds screens up to 71" and weighing up to 200 lb. The PLAV 70's self-lubricating bushings enable your screen to smoothly articulate, while adjustable tilt and pivot allow you to position your screen for the optimal viewing angle. Swing, tilt and extend your plasma or LCD screen, even in and out of recessed cubby holes and custom frames with the vertical adjustment feature that provides the capability to raise or lower your screen for a perfectly aligned installation.

Screen Ranges:

PLAV 70, PLAV 70-S - 42" - 71"

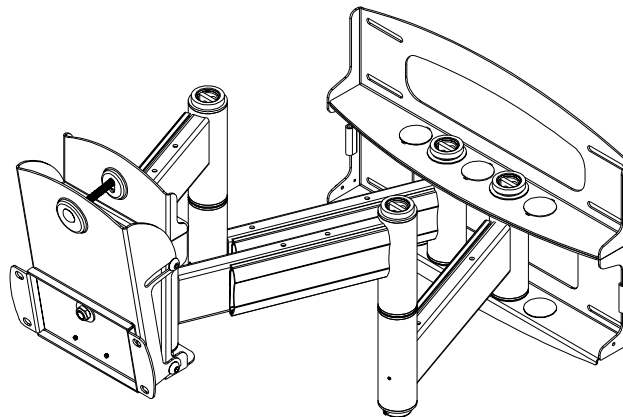
PLAV 70-UNL, PLAV 70-UNL-S, PLAV 70-UNLP,
PLAV 70-UNLP-S - 42" - 60"

Features:

- For 42" to 71" plasma and LCD screens
- Innovative and exceptional functionality
- Roll feature allows for easy screen leveling
- Folds flat against the wall
- Cord management keeps cords organized and out of sight
- Comes in black or silver
- Dual-arm construction
- Anti-lockout feature prevents joint binding
- +/- .79" vertical adjustment located within reach behind screen
- +10°/-5° tilt
- Up to 180° pivot
- +/-7° roll to level screen horizontally at any position
- Extends out to 31.2", retracts to 4.5" (plus thickness of required adapter plate)
- Includes mesh cord sheath and cable ties to neatly manage cords
- Mounts to two wood studs or concrete (accessory required)
- Universal models adapt to screens with up to 28.7" wide x 17" high mounting inserts

Accessories:

- Multi-channel speaker mount (MSA-101)
- Wire management channel (ACC 924/ ACC 926)
- PLP model adapter plates
- Concrete anchors (2 x ACC 224)



PLAV 70, PLAV 70-S

Dimensions:

Weight:

50.5 lb (22.9 kg)

Shipping weight:

58.6 lb (26.6 kg)

Maximum Load Capacity:

200 lb (90.7 kg)

Shipping Carton dimensions:

L= 34.69 in (881 mm)

W= 23.625 in (600 mm)

H= 8 in (203 mm)

PLAV 70-UNL, PLAV 70-UNL-S PLAV 70-UNLP, PLAV 70-UNLP-S

Dimensions:

Weight:

63 lb (28.5 kg)

Shipping weight:

72 lb (33 kg)

Maximum Load Capacity:

200 lb (90.7 kg)

Shipping Carton dimensions:

L= 34.69 in (881 mm)

W= 23.625 in (600 mm)

H= 8 in (203 mm)

ARCHITECTS SPECIFICATIONS

The Articulating Dual-Arm with Vertical Adjustment shall be a Peerless model _____ and shall be located where indicated on the plans. It shall be constructed of heavy gauge cold rolled steel with 10° adjustable forward and 5° backward tilt. It shall feature +/-7 degrees of roll. It shall have +/- 0.79" of vertical adjustment. The finish shall be scratch resistant Black or Silver Fused Epoxy. Assembly and installation shall be done according to instructions provided by the manufacturer.

Peerless Industries, Inc.

3215 W. North Ave. Melrose Park, IL 60160
708-865-8870 800-865-2112 Fax 708-865-2941

www.peerlessindustries.com

ISSUED: 06-19-06 SHEET NO: 202-9534-1

©2006 Peerless Industries, Inc. All rights reserved.

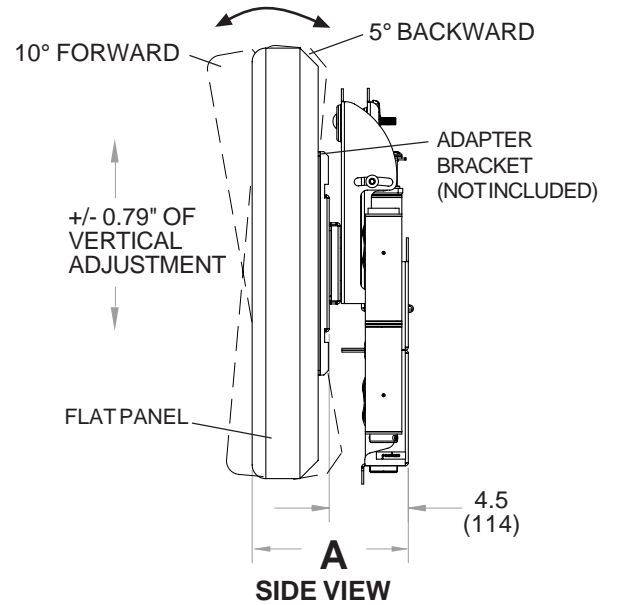
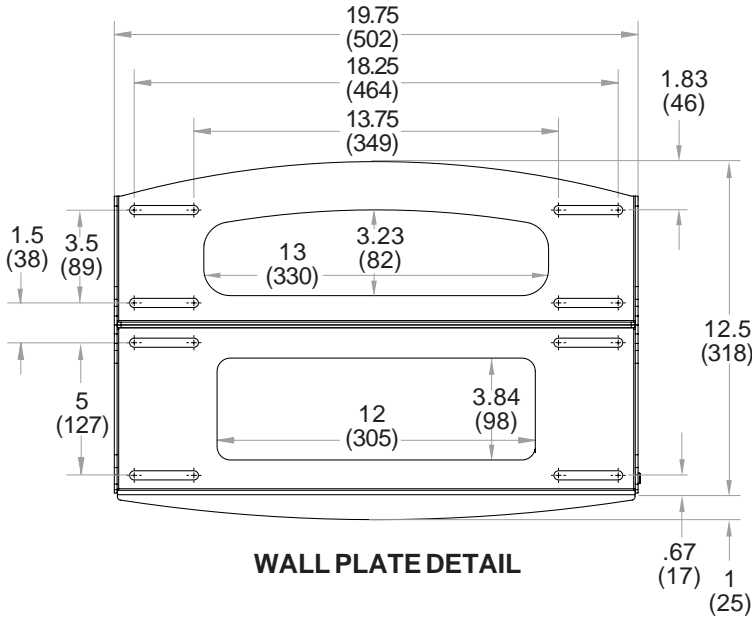
Peerless is a registered trademark of Peerless Industries, Inc.

All other brand and product names are trademarks or registered trademarks of their respective owners.

TECHNICAL DATA SHEET

**MODELS: PLAV 70, PLAV 70-S, PLAV 70-UNL,
PLAV 70-UNL-S, PLAV 70-UNLP, PLAV 70-UNLP-S**

Note: All dimensions are shown as inch (mm).

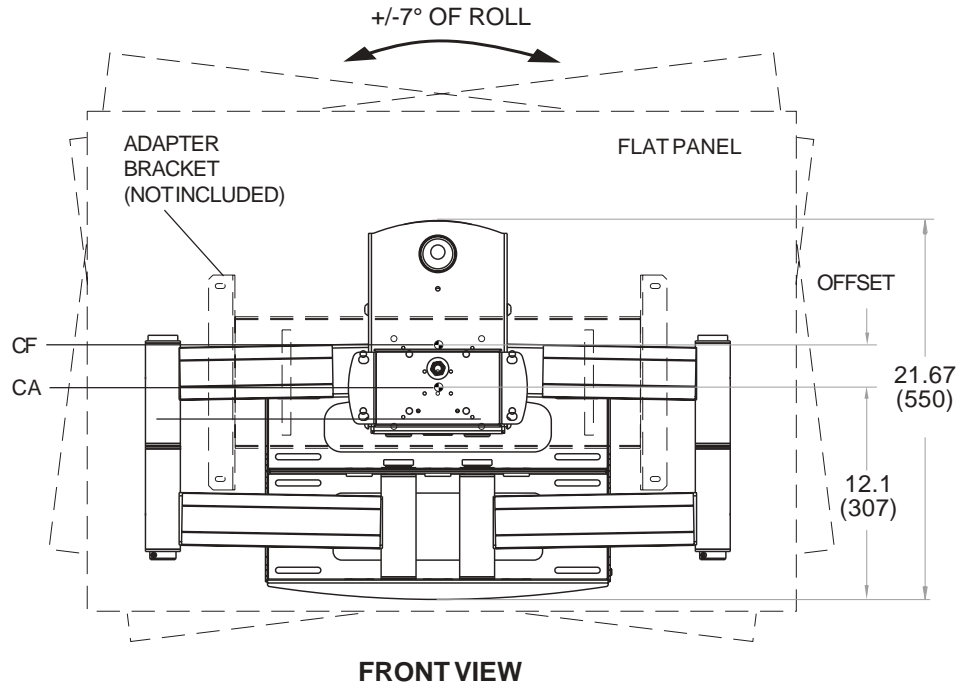


A = DEPTH OF FLAT PANEL +
DEPTH OF ADAPTER BRACKET* + 4.5"

*For depth of adapter bracket refer to PLP TD sheet

CF = CENTER OF FLAT PANEL

CA = CENTER OF ADAPTER BRACKET



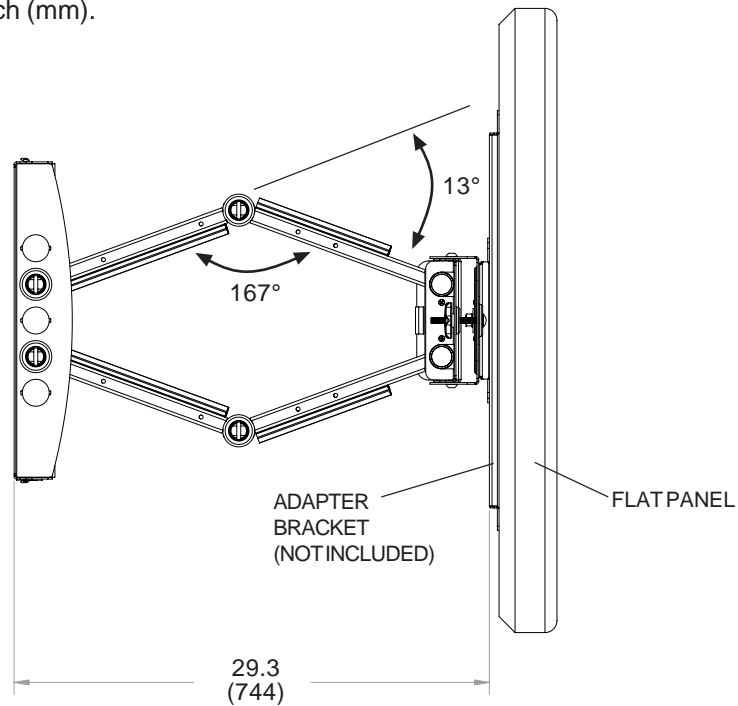
THE MINIMUM FLAT PANEL HEIGHT THAT WOULD FULLY HIDE THE MOUNT IS (12.1"(307 MM) +/- OFFSET*) X 2.

*For offset of adapter bracket refer to PLP TD sheet

TECHNICAL DATA SHEET

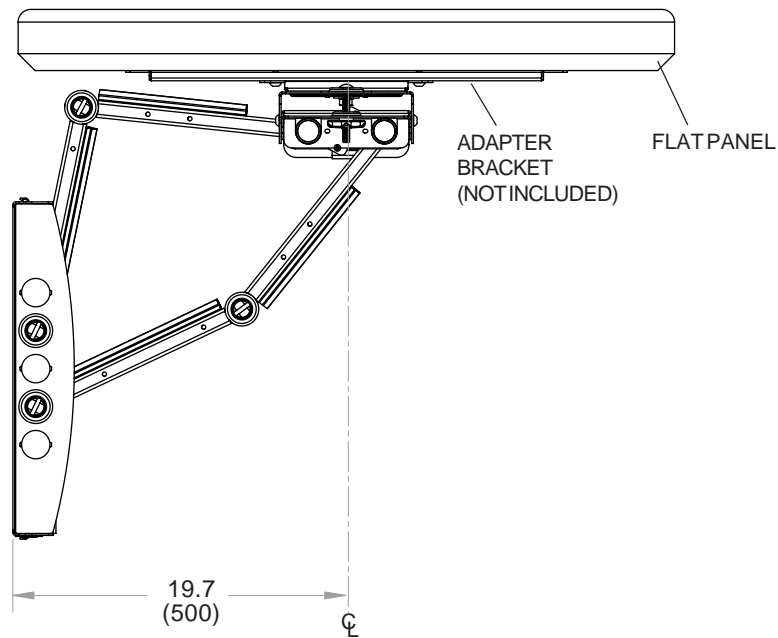
**MODELS: PLAV 70, PLAV 70-S, PLAV 70-UNL,
PLAV 70-UNL-S, PLAV 70-UNLP, PLAV 70-UNLP-S**

Note: All dimensions are shown as inch (mm).



TOP VIEW (A)

THE MAXIMUM FLAT PANEL WIDTH THAT WOULD ALLOW A MOUNTED FLAT PANEL SCREEN A FULL 180 DEGREE SWIVEL IS 40.5" (1029 mm). LARGER SCREENS CAN BE USED, BUT YOU WILL NOT BE ABLE TO ACHIEVE FULL 90 DEGREES OF SWIVEL.



TOP VIEW (B)