

Assembly Instructions - Metal Stud Wall Plate

Models:
WSP 320,
WSP 320S,
WSP 320W

***MAXIMUM LOAD CAPACITY:**
125 lb (56.8 kg)

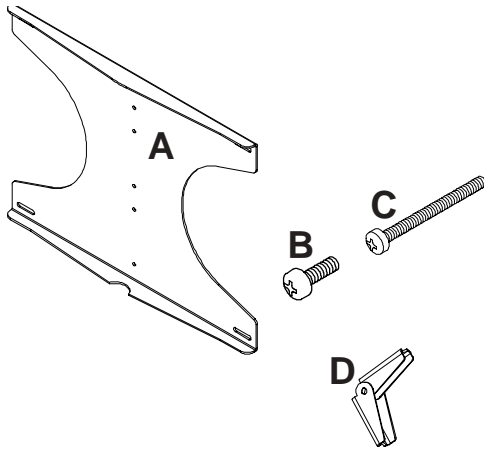
Refers to maximum weight of TV or max. combined weight of TV, VCR and VCR bracket.

WSP320 & WSP320W for studs on 16" (406 mm) centers.

IMPORTANT! Read entire instruction sheet before you start installation and assembly.

⚠ WARNING

- Wall or mounting structure must be capable of supporting a minimum static load of 600 lb (272 kg).



PARTS LIST

MODEL # WSP 320	PART #	QTY.	DESCRIPTION
	A 024-1019	1	wall plate (black)
	*B 510-9131	3	1/4-20 x 1/4" phillips screw
	C 520-9521	4	1/4-20 x 2 1/2" phillips screw
	D 590-1093	4	steel drop down toggler

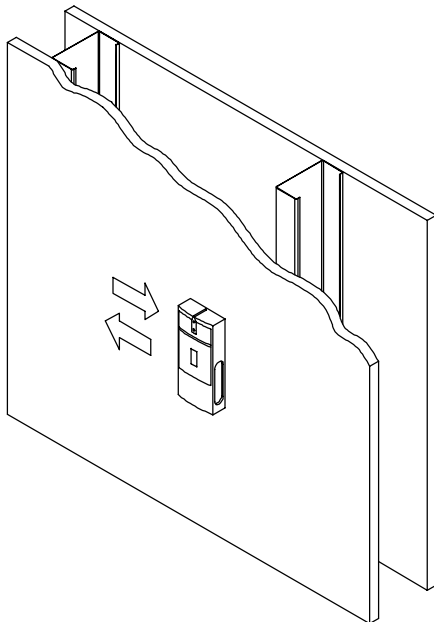
PARTS LIST

MODEL #WSP 320S	PART #	QTY.	DESCRIPTION
	A 024-4019	1	wall plate (silver)
	*B 520-2013	3	1/4-20 x 1/4" phillips screw
	C 520-9522	4	1/4-20 x 2 1/2" phillips screw
	D 590-1093	4	steel drop down toggler

PARTS LIST

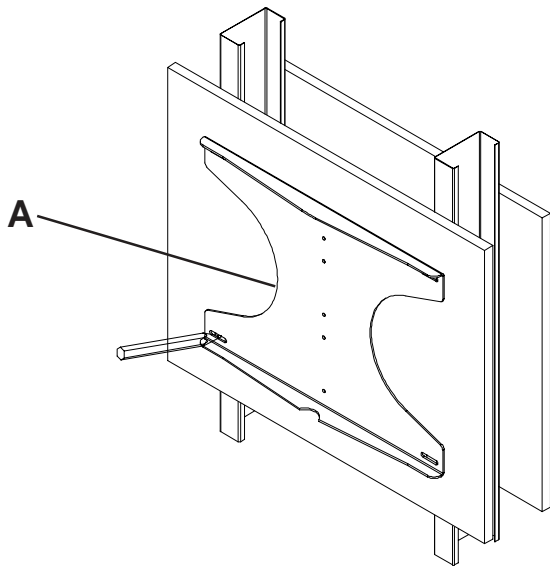
MODEL #WSP 320W	PART #	QTY.	DESCRIPTION
	A 024-2019	1	wall plate (white)
	*B 520-2013	3	1/4-20 x 1/4" phillips screw
	C 520-9522	4	1/4-20 x 2 1/2" phillips screw
	D 590-1093	4	steel drop down toggler

- 1 Use a stud finder to locate stud centers.



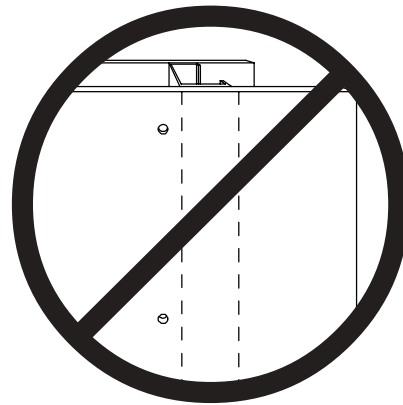
*Note: Three 1/4-20 x 1/4" phillips screw (B) are provided to attach wall mount bracket (sold separately) to wall plate (A).

- 2** Use wall plate (A) as a template to mark slot centers on stud centers.

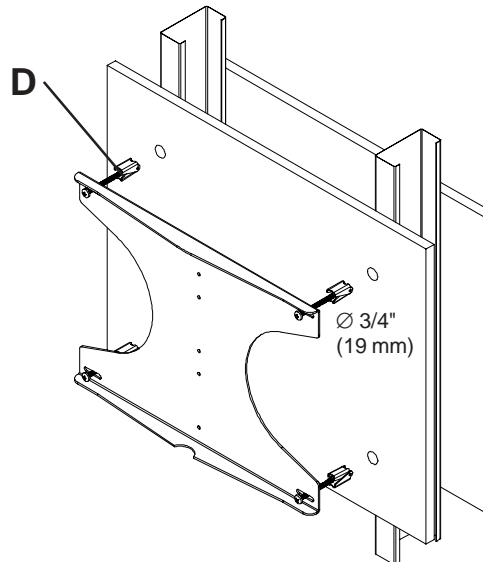


⚠ WARNING

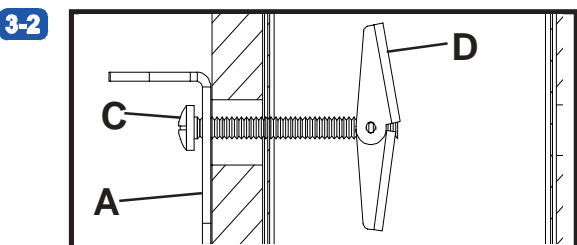
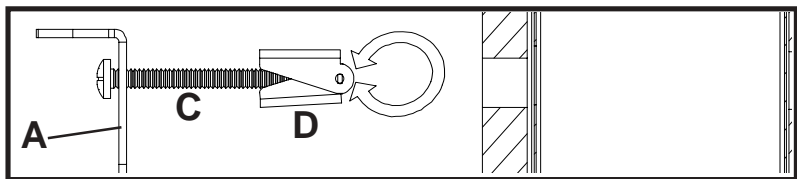
- Make sure that mounting screws are anchored into the center of the studs. The use of an "edge to edge" stud finder is highly recommended.



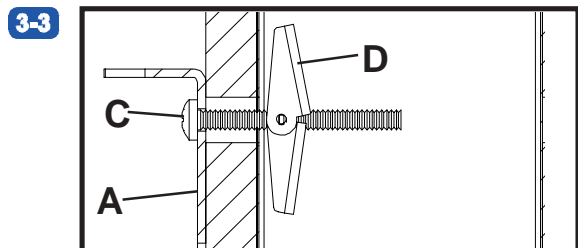
- 3** Drill four 3/4" (19 mm) dia. holes through drywall and studs. Insert togglers (D) as shown to the right...



- 3-1** Place screw (C) through wall plate (A). Partially fasten the toggler (D) to the back of the screw. Pivot ends of toggler (D) 90°.



Push toggler (D) through hole. Pull screw (C) back until toggler (D) hits the inside of the metal stud.



Fasten all four screws (C) tight, until wall plate (A) is flushed with wall.