

# TECHNICAL DATA SHEET - SolidPoint™ Wall Mount with Tilt and Swivel for 60" - 61" Plasma Screens



**MODEL: PS 2**

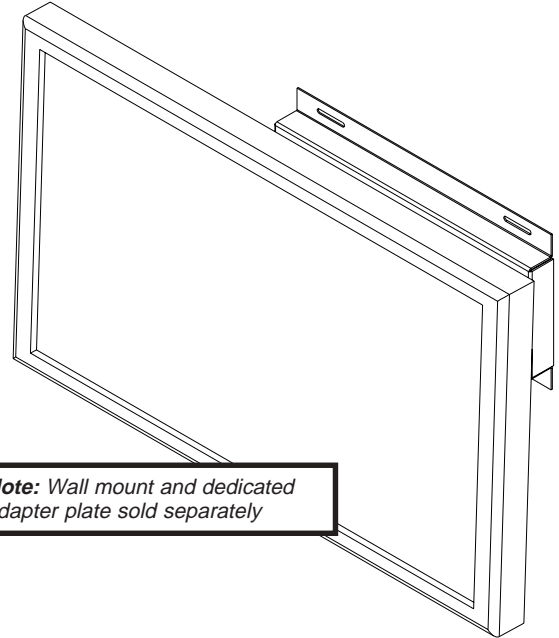
The **PS 2** plasma screen wall mount allows for optional viewing selection by providing continuous screen adjustment with a maximum 10° forward, 5° backward, and 15° swivel from left to right. Screen orientation can be changed from horizontal to vertical. Mount allows for leveling adjustment for plasma to sit level at any angle. 26" wall plate mounts to 2 studs with 16" centers.

**Features:**

- Adjustable screen tilt with a max. 10° forward, 5° backward
- 15° swivel from left to right; no tools required
- Screen mounts horizontally or vertically
- Mount provides manual leveling adjustment for plasma to sit level at any angle; no tools required
- Heavy gauge cold rolled steel construction
- Scratch resistant black fused epoxy finish
- Theft resistant security fasteners secure monitor
- Accommodates 60" - 61" screens

**Components of PS 2:**

- Rotation box
- Tilt pivot retainer assembly
- Pitch roll assembly
- Wall arm assembly
- Wall plate
- Security screws
- Wood stud mounting hardware
- Concrete mounting hardware
- PLP adapter plate must be ordered separately



**Note:** Wall mount and dedicated adapter plate sold separately

**Dimensions:**

**Weight:**  
21.8 lb (10 kg)

**Shipping weight:**  
24.2 lb (11 kg)

**Maximum Load Capacity:**  
225.0 lb (102.3 kg)

**Shipping Carton dimensions:**  
L= 36.625 in (930 mm)  
W= 15 in (381 mm)  
H= 9.875 in (251 mm)

## ARCHITECTS SPECIFICATIONS

The Wall Mount with Tilt and Swivel shall be a Peerless model PS 2 and shall be located where indicated on the plans. It shall be constructed of heavy gauge cold rolled steel with 0°-10° adjustable forward and 5° backward tilt with 15° swivel. The finish shall be scratch resistant Black Fused Epoxy. Assembly and installation shall be done according to instructions provided by the manufacturer.

**Peerless Industries, Inc.**  
3215 W. North Ave. Melrose Park, IL 60160  
708-865-8870 800-865-2112 Fax 708-865-2941  
[www.peerlessindustries.com](http://www.peerlessindustries.com)

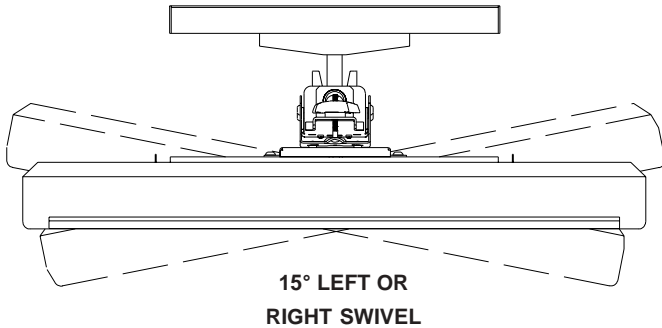
**ISSUED: 08-29-02 SHEET NO: 200-9723-2 10-6-03**

©2003 Peerless Industries, Inc. All rights reserved.  
Peerless is a registered trademark of Peerless Industries, Inc.  
All other brand and product names are trademarks or registered trademarks of their respective owners.

**TECHNICAL DATA SHEET**

**MODEL: PS 2**

**A = 1/2 HEIGHT OF PLASMA + 6.125"**      **B = DEPTH OF PLASMA + .75" + 8.75"**



**TOP VIEW**

