

Assembly Instructions - External Wall Plate

*** MAXIMUM LOAD CAPACITY:**
150 lb (68 kg)

Models: WSP 420, WSP 420S, WSP 420W, WSP 425, WSP 425S, WSP 425W, WSP 430, WSP 430S, WSP 430W, WSP 440, WSP 440S, WSP 440W, WSP 445, WSP 445S, WSP 445W

IMPORTANT! Read entire instruction sheet before you start installation and assembly.

⚠ WARNING

- Wall or mounting structure must be capable of supporting a minimum static load of 600 lb (272 kg).

WSP 420, WSP 420S, and WSP 420W for studs on 16" (406 mm) centers.

WSP 425, WSP 425S, and WSP 425W for studs on 16" (406 mm) centers, contains two electrical box knockouts.

WSP 430, WSP 430S, and WSP 430W for studs on 20" (508 mm) or 16" (406 mm) centers.

WSP 435, WSP 435S, and WSP 435W for studs on 20" (508 mm) or 16" (406 mm) centers, contains two electrical box knockouts.

WSP 440, WSP 440S, and WSP 440W for studs on 24" (610 mm), 20" (508 mm) or 16" (406 mm) centers.

WSP 445, WSP 445S, and WSP 445W for studs on 24" (610 mm), 20" (508 mm) or 16" (406 mm) centers, contains two electrical box knockouts.

PARTS LIST

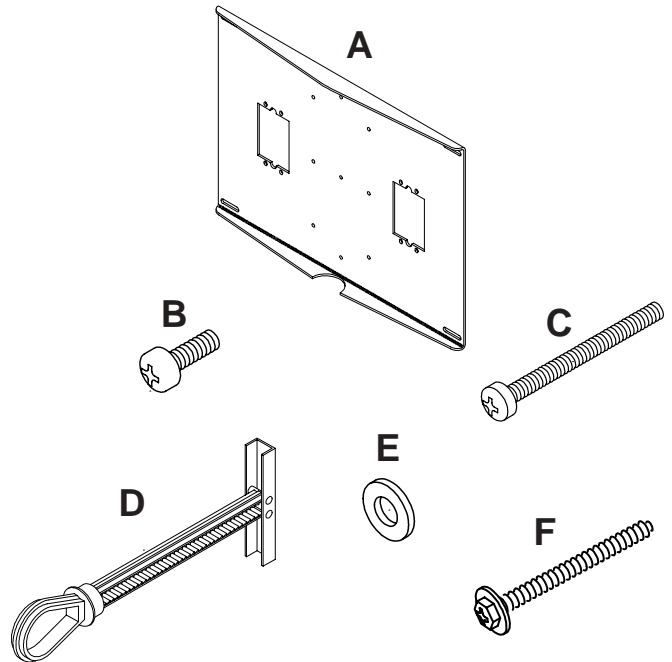
MODEL #						PART #	QTY.	DESCRIPTION
WSP 420	WSP 425	WSP 430	WSP 435	WSP 440	WSP 445			
✓						A 024-1032	1	wall plate (black)
	✓					024-1033		
		✓				024-1034		
			✓			024-1035		
				✓		024-1036		
					✓	024-1037		
✓	✓	✓	✓	✓	✓	B 510-9108	4	1/4-20 x 1/2" phillips screw
✓	✓	✓	✓	✓	✓	C 520-9521	4	1/4-20 x 2 1/2" phillips screw
✓	✓	✓	✓	✓	✓	D 560-9708	4	toggler
✓	✓	✓	✓	✓	✓	E 540-9401	8	washer
✓	✓	✓	✓	✓	✓	F 5S1-015-C03	4	#14 x 2.5" (6 mm x 65 mm) washer head wood screw

PARTS LIST

MODEL #						PART #	QTY.	DESCRIPTION
WSP 420S	WSP 425S	WSP 430S	WSP 435S	WSP 440S	WSP 445S			
✓						A 024-4032	1	wall plate (silver)
	✓					024-4033		
		✓				024-4034		
			✓			024-4035		
				✓		024-4036		
					✓	024-4037		
✓	✓	✓	✓	✓	✓	B 520-9511	4	1/4-20 x 1/2" phillips screw
✓	✓	✓	✓	✓	✓	C 520-9522	4	1/4-20 x 2 1/2" phillips screw
✓	✓	✓	✓	✓	✓	D 560-9708	4	toggler
✓	✓	✓	✓	✓	✓	E 540-9444	8	washer
✓	✓	✓	✓	✓	✓	F 5S1-015-C04	4	#14 x 2.5" (6 mm x 65 mm) washer head wood screw

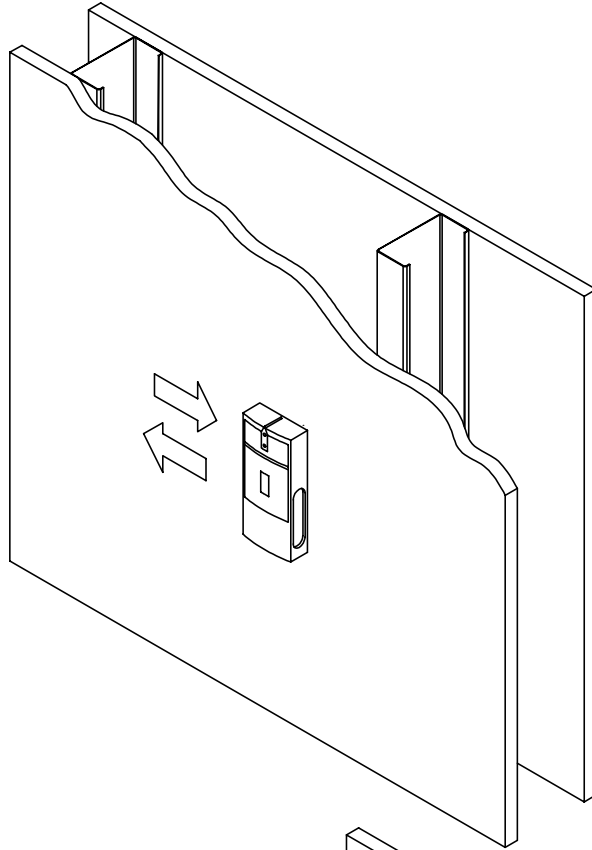
PARTS LIST

MODEL #						PART #	QTY.	DESCRIPTION
WSP 420W	WSP 425W	WSP 430W	WSP 435W	WSP 440W	WSP 445W			
✓						A 024-2032	1	wall plate (white)
	✓					024-2033		
		✓				024-2034		
			✓			024-2035		
				✓		024-2036		
					✓	024-2037		
✓	✓	✓	✓	✓	✓	B 520-9511	4	1/4-20 x 1/2" phillips screw
✓	✓	✓	✓	✓	✓	C 520-9522	4	1/4-20 x 2 1/2" phillips screw
✓	✓	✓	✓	✓	✓	D 560-9708	4	toggler
✓	✓	✓	✓	✓	✓	E 540-9444	8	washer
✓	✓	✓	✓	✓	✓	F 5S1-015-C04	4	#14 x 2.5" (6 mm x 65 mm) washer head wood screw



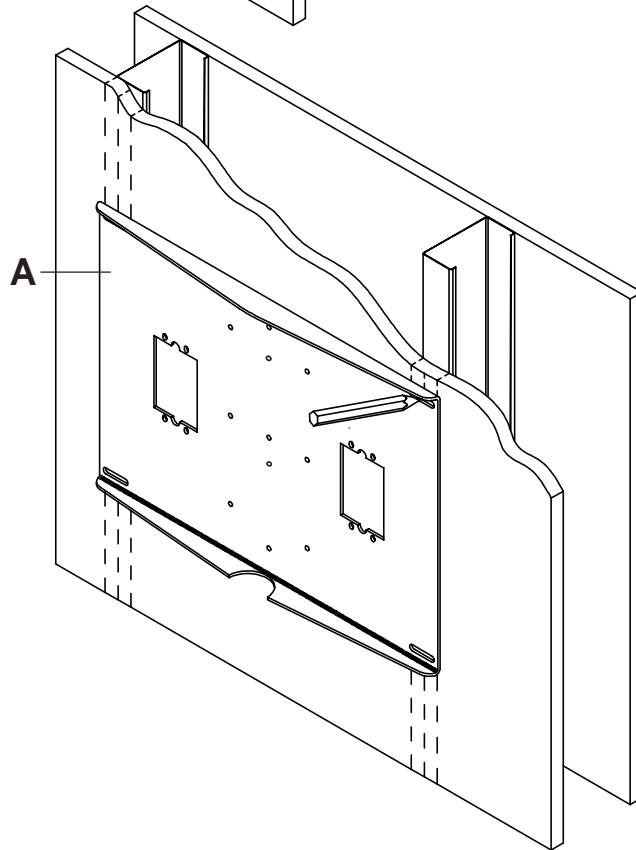
* Refers to maximum weight of TV or max. combined weight of TV, VCR and VCR Bracket.

- 1 Use a stud finder to locate stud centers.



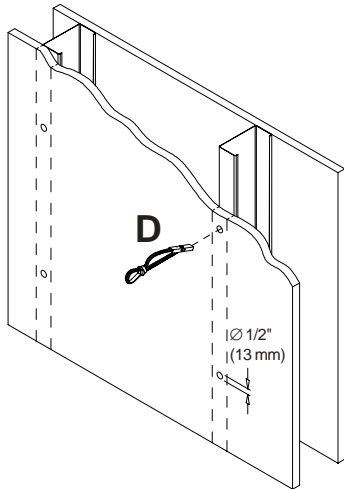
- 2 Use wall plate (A) as a template to mark slot centers on stud centers.

Note: Models WSP 430, WSP 430S, WSP 430W, WSP 435, WSP 435S, and WSP 435W can be mounted on both 20" or 16" centers. Models WSP 440, WSP 440S, WSP 440W, WSP 445, WSP 445S, and WSP 445W can be mounted on 24", 20", or 16" centers.



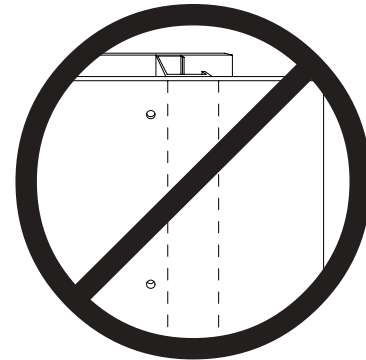
Steps 3 and 4 cover attachment to a metal stud wall. For attachment to a wood stud wall skip to step 5, page 4.

- 3** FOR METAL STUD WALLS ONLY: Drill four 1/2" (13 mm) dia. holes through drywall and studs. Insert togglers (D) as shown below...

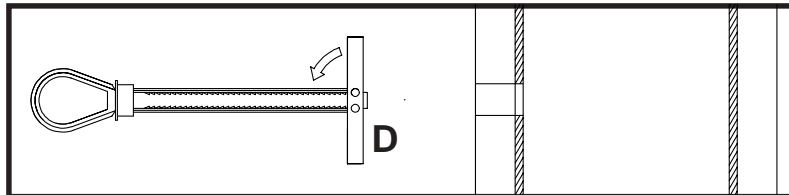


⚠ WARNING

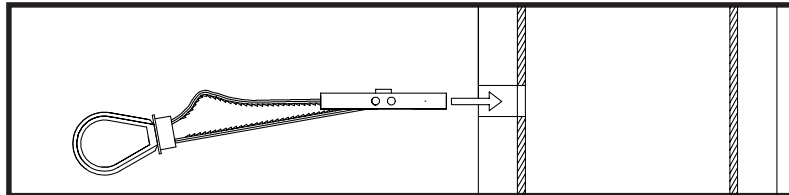
- Make sure that mounting screws are anchored into the center of the studs. The use of an "edge to edge" stud finder is highly recommended.



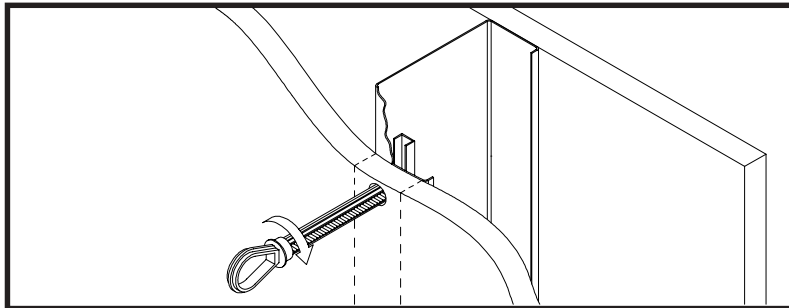
- 3-1** Pivot end of toggler.



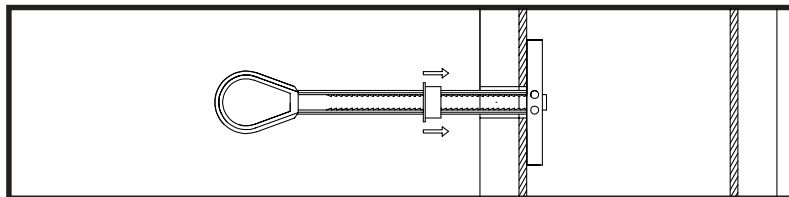
- 3-2** Push into hole.



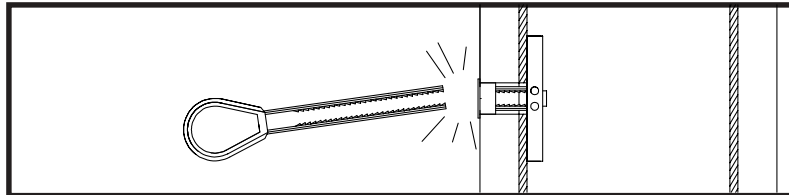
- 3-3** Rotate toggler clockwise to wedge it against inside walls of metal stud.



- 3-4** Slide plastic cap forward while pulling back firmly on ring.

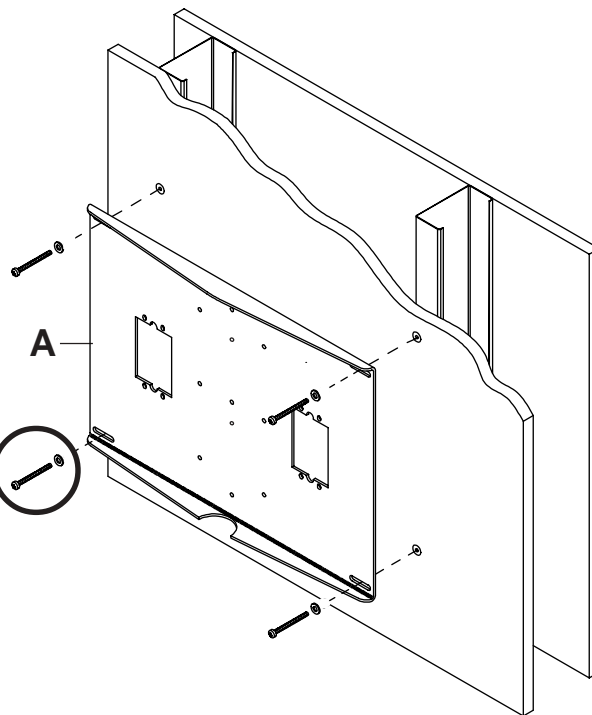
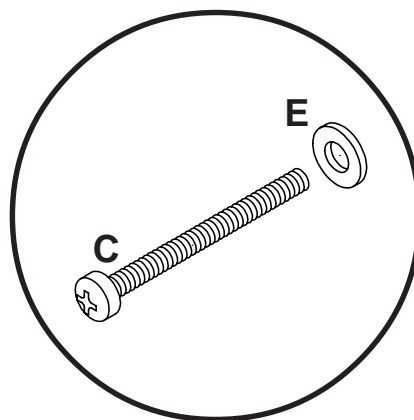


- 3-5** Break off excess.



4 Attach wall plate (A) with 1/4-20 x 2.5" phillips screws (C), and washers (E).

Four 1/4-20 x 1/2" phillips screws (B), and four washers (E) are provided to attach wall mount bracket (sold separately) to wall plate.



Step 5 covers attachment to a wood stud wall.

5 **FOR WOOD STUD WALLS ONLY** drill four 5/32" (4 mm) dia. holes 2 1/2" (65 mm) deep. Attach wall plate (A) using four #14 x 2.5" (6 mm x 65 mm) wood screws (F).

▲ WARNING

- Tighten wood screws so that wall plate is firmly attached, but do not overtighten. Overtightening can damage the screws, greatly reducing their holding power.
- Never tighten in excess of 80 in • lb (9 N.M.).
- Make sure that mounting screws are anchored into the center of the studs. The use of an "edge to edge" stud finder is highly recommended.

Four 1/4-20 x 1/2" phillips screws (B), and four washers (E) are provided to attach wall mount bracket (sold separately) to wall plate.

