



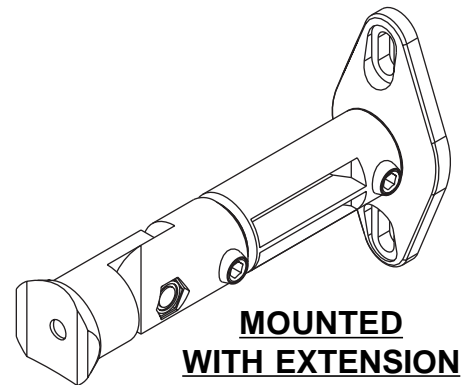
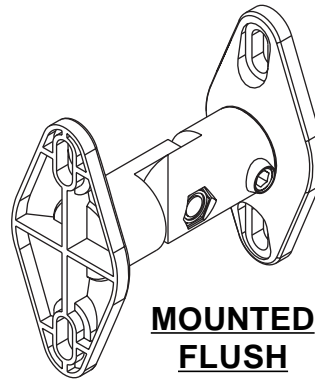
MODELS: PSP2, PSP2-S, PSP2-W, PSP5, PSP5-S, PSP5-W

All dimensions = inch (mm)

Easy to install and complete with special features to achieve the best acoustics in the room. Ideal for home, business, hospitality, schools or anywhere a speaker is needed.

Features:

- Colors: Black- PSP2 & PSP5 Silver- PSP2-S & PSP5-S, White- PSP2-W & PSP5-W
- Universal design fits most satellite speakers
- Easily mounts to wall or ceiling. Includes extensions for ceiling mounting
- Pivot and swivel capabilities make it easy to position speaker for optimal sound quality
- Maximum load capacity: 8 lb (3.62 kg)
- Available in packs of two (PSP2, PSP2-S & PSP2-W) or five (PSP5, PSP5-S & PSP5-W)



Models: PSP2, PSP2-S & PSP2-W

Dimensions:

Weight:

1.17 lbs (0.53 kg)

Shipping weight:

1.3 lbs (0.68 kg)

Maximum Load Capacity:

8 lbs (3.62 kg)

Shipping Carton dimensions:

L = 7.56 in (192 mm)

W = 4.02 in (102 mm)

H = 1.97 in (50 mm)

Models: PSP5, PSP5-S & PSP5-W

Dimensions:

Weight:

2.83 lbs (1.28 kg)

Shipping weight:

3 lbs (1.36 kg)

Maximum Load Capacity:

8 lbs (3.62 kg)

Shipping Carton dimensions:

L = 7.28 in (184 mm)

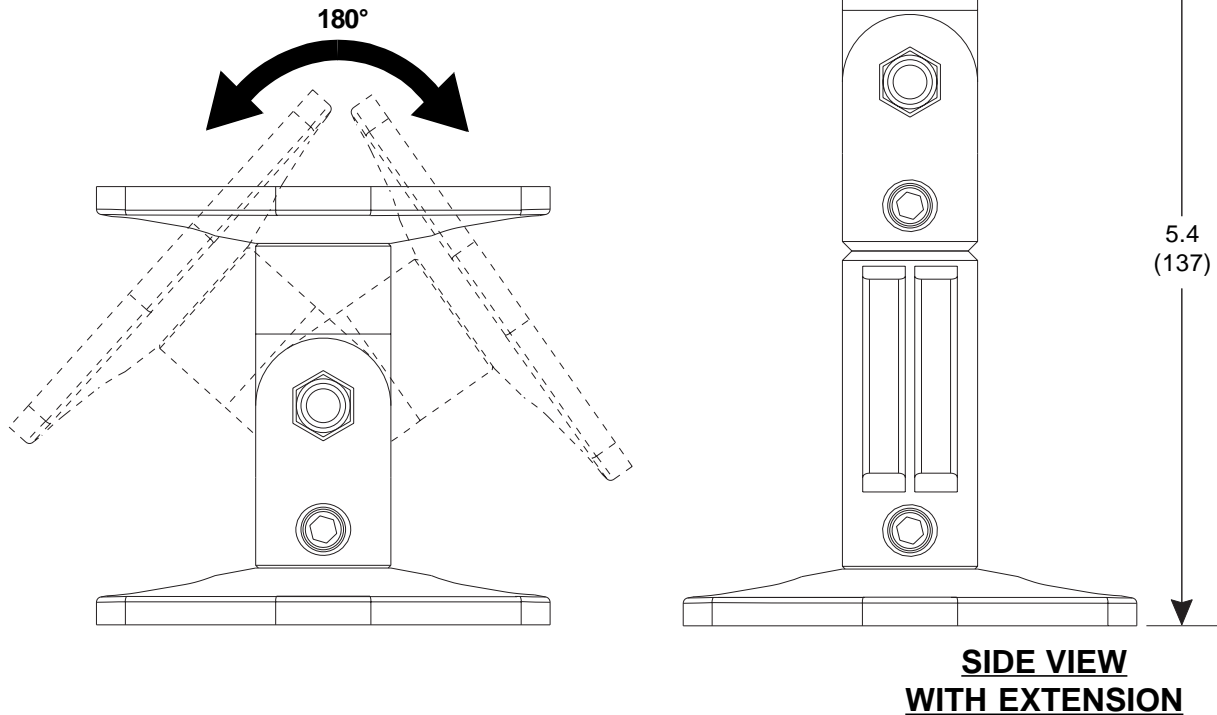
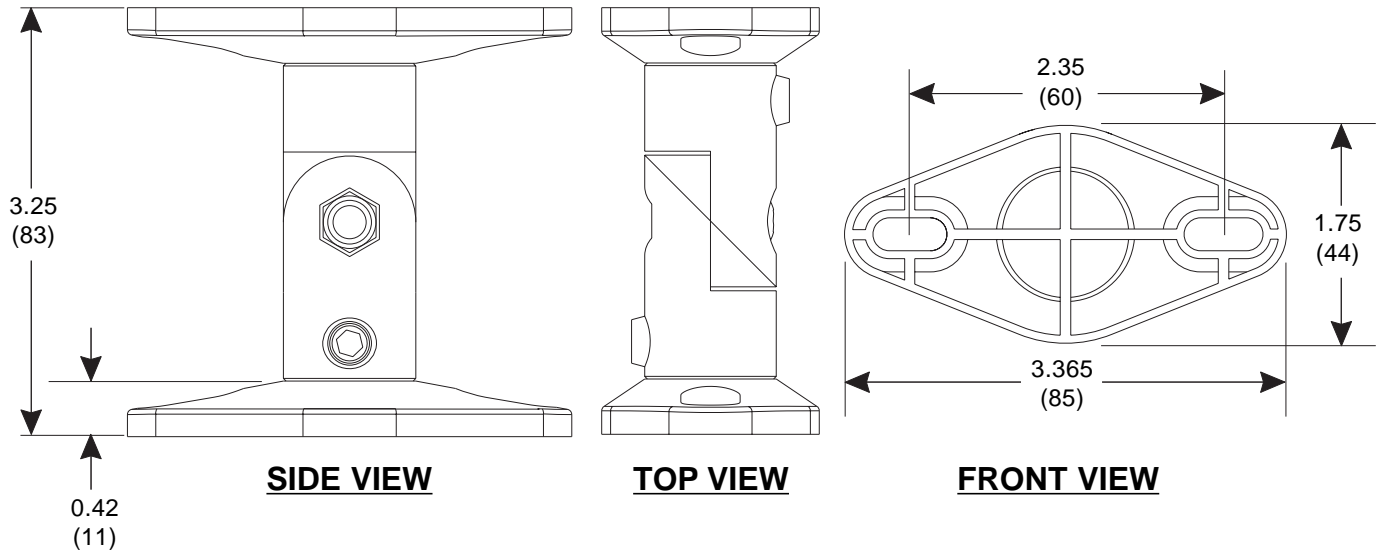
W = 3.74 in (95 mm)

H = 3.74 in (95 mm)

TECHNICAL DATA SHEET

MODELS: PSP2, PSP2-S, PSP2-W, PSP5, PSP5-S, PSP5-W

All dimensions = inch (mm)



ARCHITECTSSPECIFICATIONS:

The speaker mount shall be a Peerless Universal Speaker Mount model _____ and shall be located where indicated on the plans. The speaker mount shall be constructed of engineered polymer materials. It shall feature adjustable swivel. Assembly and installation shall be done according to instructions provided by the manufacturer.

Peerless Industries, Inc.
 3215 W. North Ave. Melrose Park, IL 60160
 708-865-8870 800-865-2112 Fax 708-865-2941
www.peerlessmounts.com

ISSUED: 10-23-07 SHEET NO: 087-9513-1
 ©2007 Peerless Industries, Inc. All rights reserved.
 Peerless is a registered trademark of Peerless Industries, Inc.
 All other brand and product names are trademarks or registered trademarks of their respective owners.